

Solid-State Memory Camcorder

PMW-F55

PMW-F5

Operating Instructions

Software Version 8.0

Before operating the unit, please read this manual thoroughly and retain it for future reference.



SXS

HDMI

XAVC

MPEG HD422

Table of Contents

Overview

Features	6
System Configuration	9
Location and Function of Parts	11
On-Screen Indications	17
Sub Display Screen	17
Viewfinder Screen	20

Preparations

Power Supply	23
Using a Battery Pack	23
Using AC Power (DC IN Power)	24
Setting the Clock	24
Attaching Optional Devices	25
Attaching a Lens	25
Attaching a Viewfinder	26
Setting the Basic Action	27
System Frequency	27
Shooting Mode	27
Main Recorded Signal	27
Color Space	28
Imager Scan Mode	28
Recording Format	28
Using SxS Memory Cards	29
About SxS Memory Cards	29
Inserting an SxS Memory Card	30
Removing an SxS memory card	30
Switching Between SxS Memory Cards	30
Formatting an SxS Memory Card	30
Checking the Remaining Time Available for Recording	31
Restoring an SxS Memory Card	31
Using an SD Card	32
Usable SD Cards	32
Inserting an SD Card	32
Removing an SD memory card	32
Formatting an SD Memory Card	32

Checking the Remaining Time	32
Using an AXS-R5/R7	33
Attaching the AXS-R5/R7	33
Removing the AXS-R5/R7	33
Inserting an AXS Memory Card	33
Removing an AXS Memory Card	34
Recording to an AXS Memory Card	34
Recording 4K 120FPS with the AXS-R7	34
Formatting an AXS Memory Card	34
Checking the Remaining Time Available for	
Recording	35
Restoring the AXS Memory Card	35
Using a USB Wireless LAN Module	36
Attaching the IFU-WLM3	36
Making a Wi-Fi Connection	36
Using the Wi-Fi Remote Commander	37

Recording

Basic Operation Procedure	41
Changing Basic Settings	43
Electronic Shutter	43
Sensitivity/Gain/Color Temperature/White Balance ...	43
Audio	44
Time Data	44
Useful Functions	44
Assignable Buttons	44
Slow & Quick Motion	45
Recording Time-lapse Video (Interval Rec	
Function)	45
Starting to Record from Pre-stored Video (Picture Cache	
Function)	46
Simultaneously Recording	46
Rec Review	47
Focus Magnifier	47
False Color Display	47
Viewfinder Double Speed Drive Function	47

Thumbnail Screens

Thumbnail Screens	49
Configuration of the Screen	49
Playing Clips	50

Playing the Selected and Subsequent Clips in Sequence	50
Clip Operations	50
Operations of the Thumbnail Menu	50
Displaying the Detailed Information of a Clip	51
Copying MPEG2 Proxy Data (PMW-F55 and PMW-F5 + CBKZ-55FX)	51
Deleting Clips	52
Changing Information on the Thumbnail Screen	52

Settings

Sub Display Operation	53
Sub Display Setting Items	54
CAMERA Screen	54
FILE Screen	56
AU/TC (audio/timecode) Screen	56
Quick Menu Operation	58
Quick Menu Setting Items	60
Project category	60
Monitoring category	62
MLUT category	63
Media category	64
Viewfinder category	64
Others category	65
Setup Menu Operations	67
User Menu	68
Setup Menu List	70
Camera Menu	70
Paint Menu	79
Audio Menu	84
Video Menu	88
VF Menu	91
TC/UB Menu	94
Recording Menu	95
Media Menu	98
File Menu	100
Maintenance Menu	103
System Menu	104

External Devices Connection

Connecting External Monitors and Recording Devices	111
Operating Clips With a Computer	112

External Synchronization	113
---------------------------------------	------------

Appendices

Important Notes on Operation	115
Formats and Limitations of Outputs	118
Video Formats and Output Signals	118
Error/Warning Indications	126
Error Indications	126
Warning Indications	126
Caution and Operation Confirmation Indications	127
Items Saved in the File	129
Licenses	137
MPEG-4 Visual Patent Portfolio License	137
MPEG-4 AVC Patent Portfolio License	137
On accessing software to which the GPL/LGPL applies	137
Open software licenses	138
Specifications	138
General	138
Camera Section	140
Input/Output	141
Media	142
Package Configuration	142
Optional Accessories	142
Index	146

Overview

Features

The PMW-F55/F5 is a highly compact, lightweight and high-performance CineAlta 4K camera with a 4K Super 35mm equivalent Single-chip CMOS image sensor.

The PMW-F55's CMOS image sensor with frame image scan function allows you to shoot clear 4K images without rolling shutter distortion or flash band phenomenon, for perfect HD recording performance.

The PMW-F5's 4K image sensor allows you to record high quality HD pictures.

You can record in SR SStP/MPEG2 HD video format, in addition to the new 4K-compatible format, XAVC, by using an SxS memory card. 4K RAW data can be recorded by using the portable memory recorder, AXS-R5/AXS-R7, which adopts the newly developed access memory card (AXSM).

The camcorder adopts the same native FZ mount used by the PMW-F3. You can use a variety of cine lenses (PL mount) so that the PL/FZ conversion adaptor comes standard.

By using the optional LA-FZB1/LA-FZB2 mount adapter, the B4 lens that is widely used for broadcasting can be attached. You can use your lens libraries with this camcorder.

Compatible with multi format

The camcorder is compatible with the new format, XAVC (official name: MPEG4 AVC/H.264 Hi422 Profiles/Level 5.2), and can record 4K: 4096 × 2160, QFHD: 3840 × 2160, 2K: 2048 × 1080, HD: 1920 × 1080.

The camcorder is also compatible with frame rates from 23.98P to 59.94P. For high-speed shooting, you can record 1 fps to 60 fps for XAVC recording in the S & Q mode. The recommended media for XAVC recording is the newly developed SxS PRO+ memory card. The camcorder is also compatible with SStP SR-SQ 444, SR-SQ 422, and SR-Lite 422 that are adopted for HDCAM-SR, or MPEG2 HD 422 that is adopted for XDCAM. Your workflow can be used.

If you install the CBK-55PD to the PMW-F55/F5, you can record in the Apple ProRes and Avid DNxHD® codec.

High frame rate (HFR) recording with up to 240 FPS

Using the camcorder with the AXS-R5/AXS-R7 allows you to perform 2K RAW recording with up to 240 FPS.

You can use 2K/HD to record up to 180 FPS to the SxS memory card on the camcorder without the AXS-R5/AXS-R7.

The camcorder has two scan modes for high frame rate. In the first mode, you can shoot with the full angle of the CMOS image sensor equivalent to the Super 35 mm size, and use the lens with the focal length set for normal shooting of high frame rate recording.

In the second mode, you can shoot with the center area of the CMOS image sensor equivalent to the Super 35 mm size (cut to Super 16 mm size).

Modular structure

The camcorder incorporates a modular design that allows you to configure the camcorder according to shooting circumstances, whether for cinema production, drama, commercials, 3D shooting, documentary filming, interviews, etc. The handle, viewfinder, audio connector panel, RAW recorder, and build up kit can be attached/removed easily according to shooting requirements.

The body and handle of the camcorder have multiple 1/4" and 3/8" mount points, to which you can attach standard accessories.

Other features

4K Super 35mm equivalent CMOS image sensor

The camcorder has a 4K Super 35mm equivalent Single-chip CMOS image sensor of 11,600,000 pixels, with effective pixels count of 8,900,000, for 4K/HD recording.

The CMOS image sensor of the PMW-F55 includes a frame image scan function that allows you to shoot clear images without rolling shutter distortion or flash band phenomenon that occurs with a traditional film camera. The camcorder adopts a color filter that emphasizes color reproduction compatible with wide color area

(exceeding that of color film), allowing for near human vision image representation capability.

Wide latitude, low noise

The camcorder has a 14-stop latitude that can reproduce images captured by the CMOS sensor with smooth gradation of black to white.

Exmor Super35 CMOS technology provides low noise levels, even with 4K resolution and 14-stop latitude maintained.

A wide variety of recording functions

The camcorder has the Interval Rec function that allows you to record frames specified at regular intervals and the Cache Rec function that allows you to begin recording a specified number of seconds in advance of the time that can be used for variety of situations.

Video signal processing

4K/HD simultaneous recording and high-speed recording with unlimited recording time is possible with single LSI chip processing of both camera signals and baseband video signals. Single-chip design provides stable, high-speed 4K 59.94P baseband video processing, low power consumption, and compact design.

Gamma curves corresponding to various situations

The camcorder has a variety of gamma curves corresponding to various situations.

S-Log2 and S-Log3 are equipped to cover wide latitude of the camcorder.

The camcorder also has user gamma and hyper gamma.

The user gamma can install and use the gamma curve that is made by CvpFileEditor™ V4.2.

The hyper gamma can display the wide dynamic range images in smooth contrast without using the knee function. The PMW-F55/F5 provides the following six hyper gamma choices:

Available hyper gamma choices

No.	Name*	Dynamic range	White limit	Video output with 18% gray card (video input 20%)
1	HG3250G36	325%	100%	36%
2	HG4600G30	460%	100%	30%
3	HG3259G40	325%	109%	40%
4	HG4609G33	460%	109%	33%
7	HG8009G40	800%	109%	40%
8	HG8009G33	800%	109%	33%

* Name format: "HG" + 3 digits of dynamic range value + the unit digit of white limit + "G" + video output value with 18% gray card

You can select dynamic range from among 325%, 460%, and 800%. You can select 109% or 100% for the maximum value of video output (White Limit). You can select the video output value with 18% gray card from two values.

Compatible with the next generation wide color range standard, ITU-R BT.2020

PMW-F55 is compatible with the next generation wide color range standard, ITU-R BT.2020, and you can select this when recording using XAVC 4K or QFHD.

As the above, you can select the SDI output of the 4K/QFHD signal.

Monitor LUT on/off function for each output

By dividing the video output signal (including the internal recorded signal) into 3 types, you can set Monitor LUT to on/off for each type independently.

The camcorder has 5 types of gamma curve and 4 types of Look Profile for Monitor LUT preset.

You can also use any user LUT file that is created by RAW Viewer.

Intuitive user interface

This camcorder has the color LCD panel on the inside panel, and direct access menu that assigns the commonly-used settings to 6 buttons.

Displaying the setting information large, makes visibility better.

By switching four screens (CAMERA, FILE, AU/TC, VIEW), you can perform setting speedy. A LOCK switch allows you to prevent changing settings by accident.

By using the supplied IFU-WLM3 USB wireless LAN module, you can operate the camcorder from a Wi-Fi compatible device such as a tablet, with the wireless transmission.

Assignable buttons

The inside panel has three assignable buttons, while the outside panel has one assignable button. You can operate the camcorder easily by assigning commonly-used functions to these buttons.

Built-in ND filter

A rotary ND filter is built into the camcorder, and supports three types of filter: Clear, 0.9 (1/8), and 1.8 (1/64). This allows light adjustment without the need for external matte box.

When using a B4 lens by attaching an optional LA-FZB2 mount adapter to the camcorder, you can use the power optical filter (neutral density filter and color temperature conversion filter) of the LA-FZB2 by setting the built-in ND filter of the camcorder to “Clear.”

Various input/output connectors

Four types of SDI output

The camcorder has four types of SDI output that allows you to output 4K 59.94P signal as four 3G-SDI.

The SDI-1/2 and SDI-3/4 outputs are assignable as SDI-1/2 OUT to Main, and SDI-3/4 OUT to Sub.

The camcorder also includes connections for Genlock IN, Timecode IN/OUT, HDMI OUT, Remote.

EFP-Style build up kit

Attaching the accessory kit CBK-55BK to the camcorder improves stability and operability of the shoulder camcorder style.

The CBK-55BK has various audio input/output connectors, direct switches that allow you to control the camcorder on hand while looking through the viewfinder when shooting with the camcorder on your shoulder, wireless audio receiver slot, and audio control panel.

The front control section and shoulder pad can be slid 70 mm (2 ⁷/₈ inches) in the front-to-rear direction. You can maintain balance easily while shooting with the camcorder on your shoulder when the PL lens or large portable B4 lens is attached.

4K upgrade license for PMW-F5

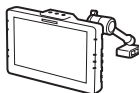
By installing the CBKZ-55FX to the PMW-F5, 4K recording/playback for XAVC 4K/QFHD and 4K/QFHD output from SDI and HDMI are available.

System Configuration

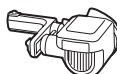
This section shows examples of the camera system configuration.



Viewfinder
DVF-L350



Viewfinder
DVF-L700



Viewfinder
DVF-EL100



Microphone
ECM-680S (EC-0.5X5F3M), ECM-678, ECM-674

Lenses

- PMW-F3K supplied lenses (35 mm/50 mm/85mm)
- SCL-PK6/F, PK6/M (set of 6 lenses, 20 mm/25 mm/35 mm/50 mm/85 mm/135 mm)
- SCL-PK3/F, PK3/M (set of 3 lenses, 20 mm/25 mm/135 mm)
- SCL-P11X15
- SCL-Z18X140



Lens mount
adapter



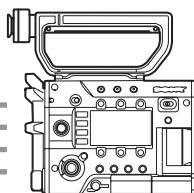
Mount adapter
LA-FZB1, LA-FZB2

Optical 2K Filter
CBK-55F2K

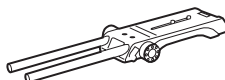


Remote control unit
RM-B170, RM-B750, CBK-DCB01

USB wireless LAN module
IFU-WLM3 (supplied)



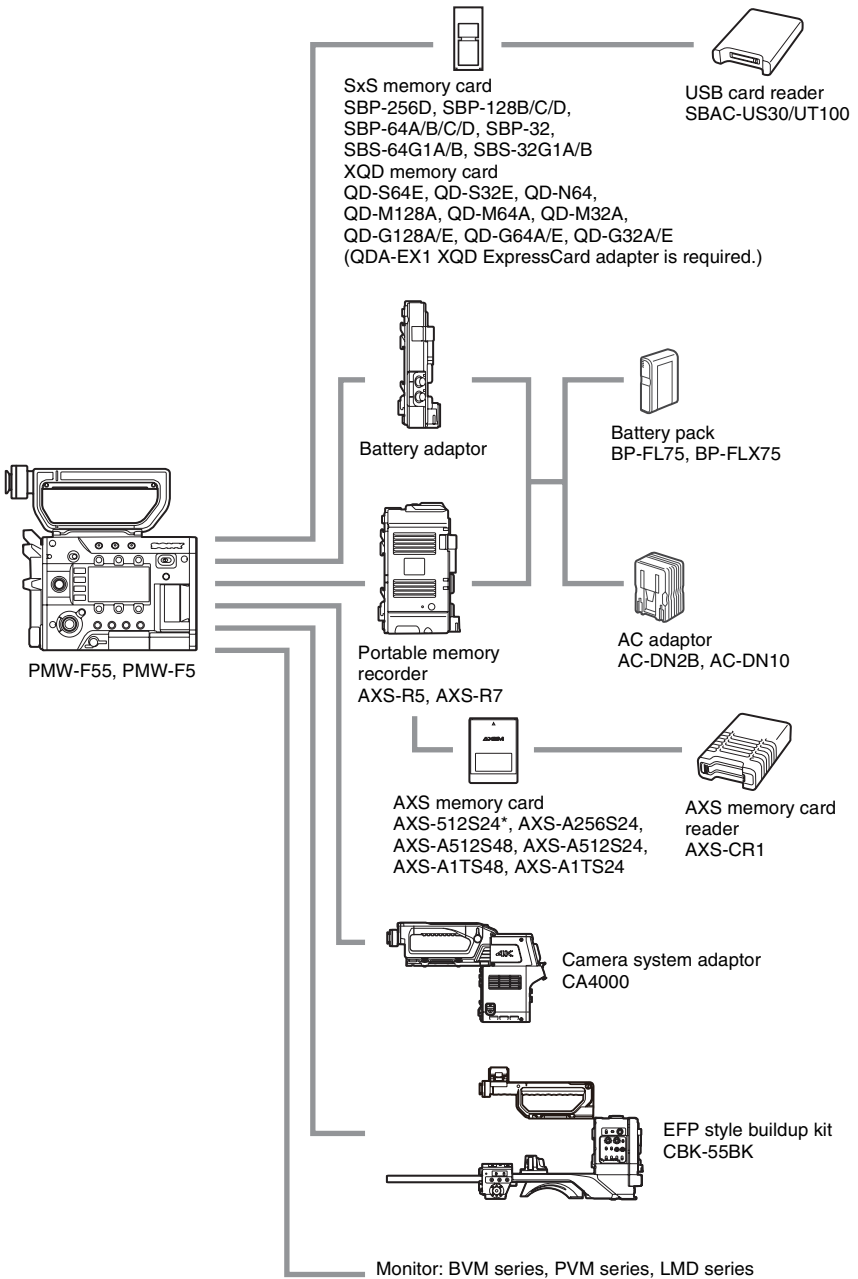
PMW-F55, PMW-F5



Shoulder adaptor
VCT-FSA5

Additional codec board
CBK-55PD

4K upgrade license (for PMW-F5)
CBKZ-55FX

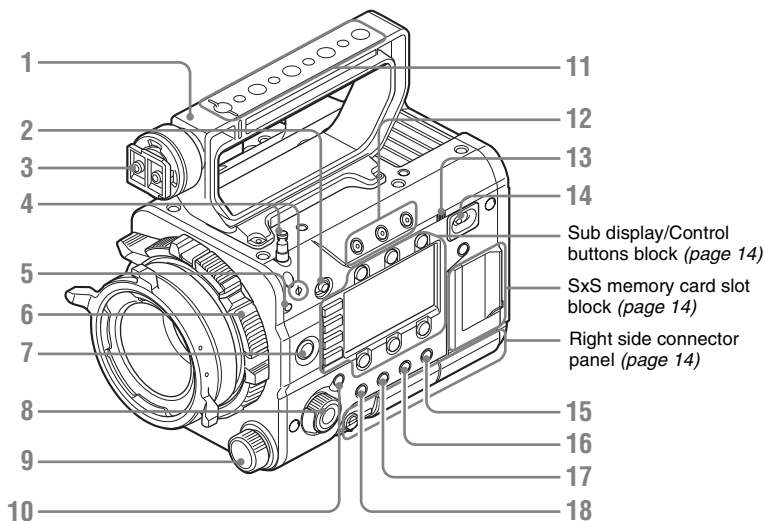


* Not compatible with the AXS-R7.

Location and Function of Parts

For functions and usage, see the pages in parentheses.

The following illustrations are with the battery adaptor (page 16) removed.
For removing the battery adaptor, see “Removing a battery pack” (page 23).



1. Handle

2. LOCK switch

Disables operations on the side operating panel.

3. Viewfinder shoe

4. Tape measure hook/Image sensor position index

The Φ mark and tape measure hook are on a plane with the image sensor. To measure the precise distance between the camcorder and the subject, use this mark or tape measure hook as a reference.

You can attach the end of a tape measure to the hook, and measure the distance from the subject. The tape measure hook can be attached to the inside part or outside part of the camcorder.

5. Flange focal length adjustment screw (page 26)

6. Lens mount (page 25)

7. REC (recording start/stop) button/lamp (page 41)

8. SEL/SET (select/set) dial (MENU dial) (pages 53, 58, 67)

Selects the item in the menu or changes the setting value.

9. ND FILTER select switch

ND filters are available for keeping the aperture in a proper range. Select the ND filter by turning the ND FILTER select switch while pulling it.

Clear: ND filter not used

0.9: $1/8$ ND

1.8: $1/64$ ND

10. CANCEL/BACK button (pages 53, 58, 67)

11. Accessory mounting screw holes

Type of screw: 1/4-20UNC (× 4)

Type of screw: 3/8-16UNC (× 5)

Length of engagement: 9 mm

($3/8$ inch) or less

Note

Do not apply excessive force to the mounted accessory. It may damage the screw thread.

12. ASSIGN (assignable) 1/2/3 buttons (page 44)

13. Built-in speaker (page 41)

14. Power switch

Set to the ON position (I) to turn the power on. Set to the OFF position (⏻) to turn the power off.

Notes

- This camcorder uses a small amount of standby power even when the power switch is set to OFF. Remove the battery pack if the camcorder will not be used for a prolonged period.
- When removing the battery pack or the DC IN power, be sure to first set the power switch to the OFF position. Removing the battery pack or the DC IN power while the camcorder is ON may cause damage to the camcorder or the memory card.

15. BRIGHTNESS button

Adjusts brightness of the sub display in 4 steps.

16. STATUS (status display on/off) button

Displays status screens on the viewfinder or external video monitor.

Turn the MENU dial (page 11) to switch the screens in sequence.

Tip

Items in [] are displayed when the CBK-55BK is attached.

Camera status screen

Displays the electronic shutter settings or the status of the lens.

Gain	Amount of gain up (dB) or sensitivity (ISO-EI)
Shutter	Electronic shutter settings
Gamma	Gamma category and curve (When "Shooting Mode" is set to "Cine EI," Gamma for MLUT Off is displayed.)
White	White balance mode and setting
Zebra1	On/off and setting level of Zebra1
Zebra2	On/off and setting level of Zebra2
[Gain/EI Switch <L>]	Setting level of the gain switch L on the CBK-55BK
[Gain/EI Switch <M>]	Setting level of the gain switch M on the CBK-55BK
[Gain/EI Switch <H>]	Setting level of the gain switch H on the CBK-55BK
Iris	T value of iris
Focal Length	Focal length (mm)
Focus Distance	Focus distance (m/feet)
Depth Of Field	Depth of field (m/feet)
Optical Filter	Type of optical filter

Audio status screen

Displays the input settings for each channel, audio level meter, and wind filter setting.

Level	Level meter
Source	Input source
Reference	Reference level setting
Wind Filter	Wind filter setting

System status screen

Displays the video signal settings.

System Frequency	System frequency
Rec Format	Recording format that is recorded on the SxS memory card
Picture Size	Picture size that is recorded on an SxS memory card
Rec Function	Special recording that is set to on, and its setting
Gamma	Gamma category that is recorded on the SxS memory card
Imager Scan	Imager reading mode
Picture Cache Rec	On/off setting of Picture Cache Rec
MPEG2 Proxy	On/off setting of MPEG2 proxy (PMW-F55 and PMW-F5 + CBKZ-55FX)
Option	Attached option

Video output status screen

Displays the video output settings of SDI 1 to SDI 4, HDMI, and test video output.

Picture size	Output picture size
C.Space	Output form
Freq	Output rate
Gamma	Gamma

Assignable button status screen

Displays the function that is assigned to each ASSIGN button.

1 to 4 ([5] to [8]), Lens RET	Functions that are assigned to the Assign 1 to 4 ([5] to [8]) buttons and RET button on a lens
Menu Dial Assign	Functions that are assigned to the Menu dial

Battery status screen

Displays information of the battery or DC IN power.

Detected Battery	Battery type
Remaining	Remaining charge level (%)
Charge Count	Number of times that the battery is charged
Capacity	Remaining capacity (Ah)

Voltage	Voltage (V)
Manufacture Date	Manufacture date of the battery
Power Source	Power source
Supplied Voltage	Supplied voltage

Media status screen

Displays the remaining space, available recording time, and estimated service life of the recording media (SxS memory card A/SxS memory card B/SD card/AXS memory).

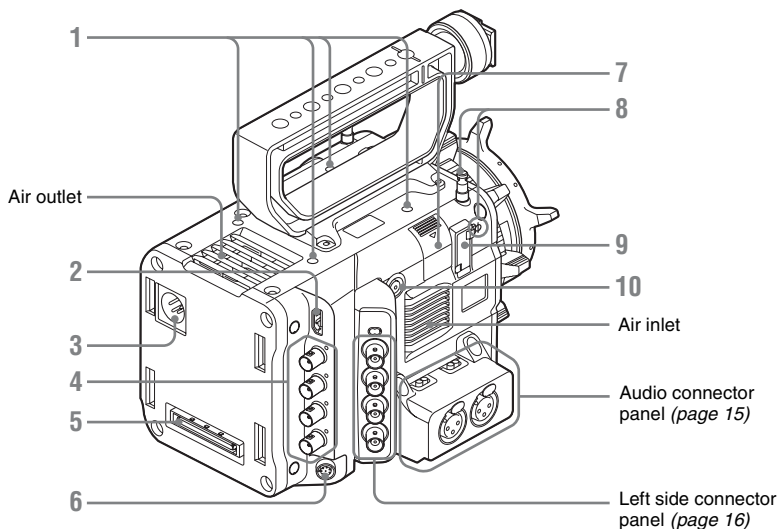
Protect information	
Remaining	Remaining space and available recording time
Life	Estimated service life

Note

When the AXS-R7 is attached, the active media information of AXS(A) or AXS(B) is displayed.

17. OPTION button (pages 50, 58)

18. MENU (menu display on/off) button (page 67)



1. Accessory mounting screw holes

Type of screw: 1/4-20UNC (× 4)

Length of engagement: 9 mm

(³/₈ inch) or less

Notes

- Do not apply excessive force to the mounted accessory. It may damage the screw thread.
- When attaching an accessory, do not cover the air inlet or air outlet.

2. HDMI OUT connector (page 111)

3. DC IN connector (page 24)

4. SDI OUT 1 to 4 (serial digital output) connectors (BNC type) (page 111)

5. Mounting terminal for an expansion unit (page 23, 33)

6. REMOTE (remote control) connector (8-pin)

Connect an external device such as a remote control unit.

7. USB wireless LAN module retracting part (page 36)

Connecting the supplied IFU-WLM3 USB wireless LAN module allows communication with wireless LAN devices.

8. Tape measure hook/Image sensor position index

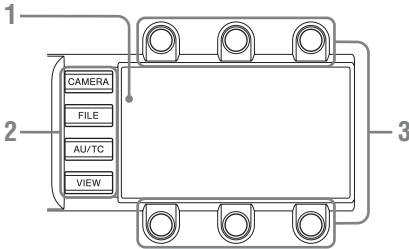
The mark ϕ and tape measure hook are on a plane with the image sensor. To measure the precise distance between the camcorder and the subject, use this mark or tape measure hook as a reference.

You can attach the end of a tape measure to the hook, and measure the distance from the subject.

9. VF (viewfinder output) connector (page 26)

10. ASSIGN 4 (assignable 4) button (page 44)

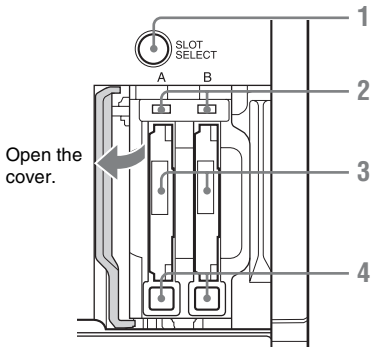
Sub display/Control buttons block (pages 53, 58)



1. Sub display
2. Function buttons
 - CAMERA button
 - FILE button
 - AU/TC (audio/time code) button
 - VIEW button
3. Item button

SxS memory card slot block (page 29)

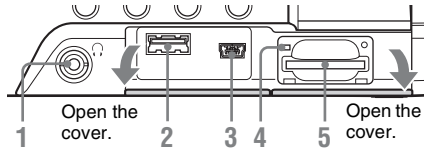
The SxS memory card slots are located behind the cover.



1. SLOT SELECT (SxS memory card select) button
2. ACCESS (SxS memory card access) lamps
3. SxS memory card slots
4. EJECT (SxS memory card eject) buttons

Right side connector panel

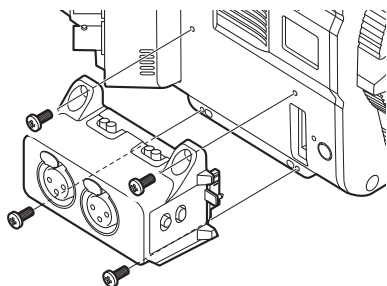
The USB connector and SD card slot are located behind the cover.



1. Headphones connector (stereo mini jack) (page 41)
2. USB connector (A)
3. USB connector (Mini B)
4. ACCESS (SD card access) lamp (page 32)
5. SD card slot (page 32)

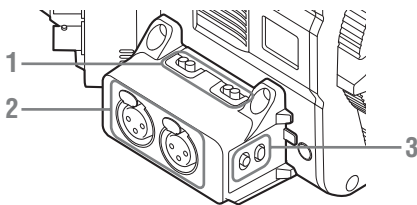
Audio connector panel

Attach the supplied audio connector panel as follows.



Notes

- Attach/remove the audio connector panel while the camcorder is turned off.
- When attaching the audio connector panel, make sure not to catch the cap.
- When removing the audio connector panel, pull it away slowly from the body of the camcorder, as shown in the diagram above.
- Applying excessive force to remove the audio connector panel may damage it.



1. AUDIO IN CH1/AUDIO IN CH2

(external audio input selection) switches
Switch input signal (external microphone, external audio device, etc.).

LINE: Line input audio equipment

AES/EBU: AES/EBU format audio signal

MIC: Microphone input

2. AUDIO IN (CH-1, CH-1/2) /AUDIO IN (CH-2, CH-3/4) connectors

Input external microphone or audio equipment signals.

3. CH1 MIC +48V/OFF, CH2 MIC +48V/OFF (external microphone input selection) switches

Supply phantom power (48 V) to the external microphone when you set this switch to "MIC +48V."

Settings of the AUDIO IN CH1/AUDIO IN CH2 switch and recorded channels are as below.

AUDIO IN CH1/CH2 switch		Recorded channel			
CH-1	CH-2	CH-1	CH-2	CH-3	CH-4
LINE/MIC	LINE/MIC	LINE1/MIC1	LINE2/MIC2	No sound	No sound
AES/EBU	LINE/MIC	AES/EBU1-1	AES/EBU1-2	No sound	No sound
LINE/MIC	AES/EBU	LINE1/MIC1	No sound	AES/EBU2-1	AES/EBU2-2
AES/EBU	AES/EBU	AES/EBU1-1	AES/EBU1-2	AES/EBU2-1	AES/EBU2-2

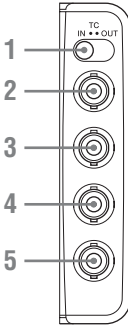
LINE1/MIC1: LINE or MIC signal that is input to CH-1

LINE2/MIC2: LINE or MIC signal that is input to CH-2

AES/EBU1-x: Channel x signal of the AES/EBU signal that is input to CH-1

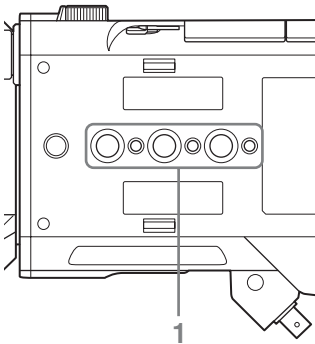
AES/EBU2-x: Channel x signal of the AES/EBU signal that is input to CH-2

Left side connector panel



1. TC IN/OUT (timecode input/output selection) switch (page 114)
2. TC (timecode input/output) connector (BNC type) (page 114)
3. GENLOCK IN connector (BNC type) (page 114)
4. TEST OUT (analog video output) connector (BNC type) (page 111)
5. SHUTTER connector (BNC type)
Not used for this version.

Bottom



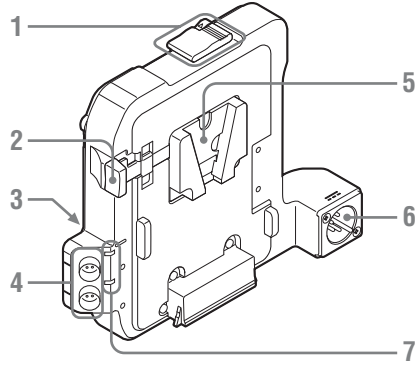
1. Accessory mounting screw holes
Type of screw: 1/4-20UNC (× 3)
Type of screw: 3/8-16UNC (× 3)
Length of engagement: 9 mm
(³/₈ inch) or less

Note

Do not apply excessive force to the mounted accessory. It may damage the screw thread.

Battery adaptor

For attaching/removing the battery adaptor, see “Using a Battery Pack” (page 23).



1. Release button/ejection lever
2. Battery release lever
3. Expansion IF connector
4. DC OUT 1/2 connector

Note

When connecting a device, use one with current consumption of 1.8 A or less.

5. Battery pack attaching part
6. DC IN connector (page 24)
7. DC OUT overcurrent indicator

Lights when the overcurrent protection activates.

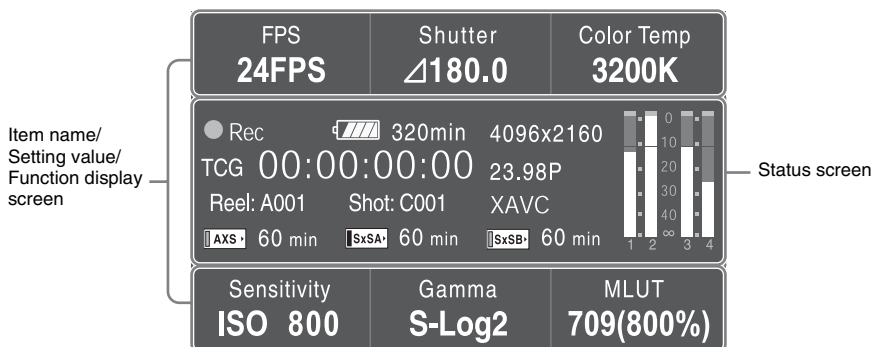
In this case, disconnect any peripheral device from a DC OUT connector whose indicator is lit, then restart the PMW-F55/F5.

On-Screen Indications

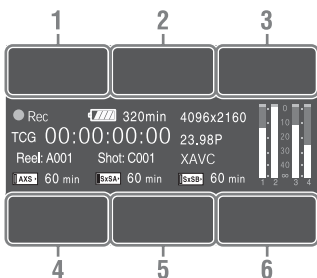
Sub Display Screen

When turning on the camcorder, the sub display appears and you can check the status of the camcorder and set the basic items.

The screen is switched by pressing the function button on the left of the sub display (*page 14*).



Item name/Setting value/Function display screen



CAMERA-1 (*page 54*)

1. FPS

Displays and sets Slow & Quick Motion/Frame Rate.

2. Shutter

Displays and sets shutter speed/angle.

3. Color Temp

Displays and sets color temperature.

4. Sensitivity/Gain/Exposure Index

Displays and sets sensitivity/gain (ISO/dB/EI).

5. Gamma/High Latitude

Displays and sets gamma category. (When “Shooting Mode” (*page 104*) is set to “Cine EI,” “High Latitude” is displayed.)

6. MLUT

Displays and sets monitor LUT/Look Profile. The MLUT indication appears only when “Shooting Mode” (*page 104*) is set to “Cine EI.”

CAMERA-2 (*page 55*)

1. Color Bars

Turns the color bars on/off.

2. Auto White

Performs the auto white balance function.

3. Auto Black

Performs the auto black balance function.

4. Sub&HDMI

Turns the Monitor LUT of SDI (Sub) and HDMI output on/off.

5. Viewfinder

Turns the Monitor LUT of viewfinder output on/off.

6. SDI (Sub) Disp.

Turns the function that outputs the character information to the SDI (Sub) output on/off.

FILE-1 (page 56)**1. to 6. All File Load 1 to 6**

Loads the All file (1 to 6) from the SD card.

FILE-2 (page 56)**1. to 6. Scene Recall 1 to 5/Standard**

Loads the Scene file (1 to 5, or Standard) from the internal memory.

FILE-3 (page 56)**1. to 6. Lens Recall 1 to 6**

Loads the Lens file (1 to 6) from the internal memory.

AU/TC-1 (page 56)**1. MIC CH1 Ref**

Displays/sets the reference input level for MIC CH1.

2. CH1 Input

Sets Auto/Manual for the recording level of CH1, and displays/sets the level for Manual setting.

3. CH1 Select

Displays the input source for CH1.

4. MIC CH2 Ref

Displays/sets the reference input level for MIC CH2.

5. CH2 Input

Sets Auto/Manual for the recording level of CH2, and displays/sets the level for Manual setting.

6. CH2 Select

Displays the input source for CH2.

AU/TC-2 (page 57)**3. Monitor CH**

Displays/sets the audio channel that is output to the headphones and speaker.

5. Monitor Level

Displays/sets the monitor volume that is output to the headphones and speaker.

AU/TC-3 (page 57)**1. Display**

Displays/sets the time data.

2. Reset

Resets the timecode and counter.

3. Set

Sets the timecode.

4. Mode

Sets the timecode mode.

5. Run

Sets the condition for the timecode.

6. TC Source

Displays the external lock status for the timecode.

VIEW-1**1. F Rev ◀◀**

Fast reverse

2. Play/Pause ▶▶

Play/pause

3. F Fwd ▶▶

Fast forward

4. Prev ◀◀

Previous clip jump

5. Stop ■

Stop

6. Next ▶▶

Clip directional jump

VIEW-2**1. Thumbnail **

Displays or cancels the display of the thumbnail screen.

2. Up ↑

Moves the cursor up.

3. Set -⏏-

Confirms the selected item.

4. Left ←

Moves the cursor to the left.

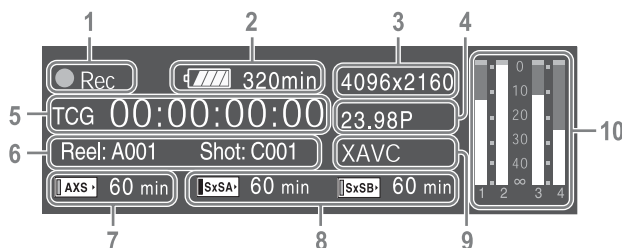
5. Down ↓

Moves the cursor down.

6. Right →

Moves the cursor to the right.

Status screen



1. Special recording/operation status indication

● Rec	Recording in progress
● Stby	Standby for recording
● S&Q Rec	Slow & Quick Motion recording in progress
● S&Q Stby	Standby for Slow & Quick Motion recording
● HFR Rec	Slow & Quick Motion and Hi Frame Rate mode recording in progress
● HFR Stby	Standby for Slow & Quick Motion and Hi Frame Rate mode recording
● Int Rec	Recording in progress in Interval Rec mode
● Int Stby	Standby for Interval Rec recording
● Int Stby	Waiting for Interval Rec picture capturing
● Cache	<ul style="list-style-type: none"> ● lights in green: Standby for Picture Cache Rec mode ● lights in red: Recording in progress in Picture Cache Rec mode

2. Battery remaining charge/DC IN voltage indication (page 24)

3. Recording format (picture size) indication (page 28)

Displays the picture size that is recorded on an SxS memory card or an AXS memory card.

4. System frequency and scan method indication (page 27)

5. Time data indication (page 44)

6. Clip name indication (page 99)

While recording:

Displays “Clip: clip name” when “Mode” in “Clip Naming” of the Media menu is set to “Title,” or “Reel: Camera ID + Reel Number” and “Shot: Camera Position + Shot Number” when “Mode” in “Clip Naming” of the Media menu is set to “Cam ID + Reel#.”

While playing/displaying the thumbnail screen:

Displays “Clip: clip name.”

7. AXS memory status/remaining space indication (page 35)

8. A/B slot media status/remaining space indication (page 31)

9. Recording format (codec) indication (page 28)

Displays the format that is recorded on an SxS memory card or an AXS memory card.

10. Audio level meter (4CH)

Viewfinder Screen

While recording, standing by to record, or playback, the statuses and settings of this unit are superimposed on the viewfinder screen.

The statuses and settings of this unit can be turned on/off using the setup menu or by the assignable button. The statuses and settings of this unit can be independently turned on/off (*page 93*).

To turn on/off on the setup menu

Turn on/off the statuses and settings of this unit on “Setting” in “Display On/Off” (*page 93*) of the VF menu.

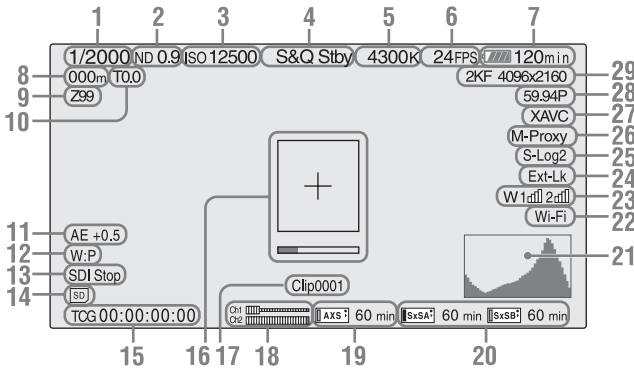
To turn on/off by the assignable button

Assign “Display” to one of the assignable buttons (*page 44*). You can turn on/off the statuses and settings of this unit by pressing the assignable button.

Tip

When using the 1.3× or 2× anamorphic lens, set “Aspect” in “VF Setting” (*page 91*) of the VF menu to “Anamo ×1.3” or “Anamo ×2” to display the normal image without distortion on the viewfinder screen.

Information displayed on the screen while recording



1. Shutter mode/shutter speed indication (*page 75*)

2. ND filter indication (*page 11*)

3. Gain indication (*page 72*)

Displayed as the EI value when “Shooting Mode” in “Base Setting” (*page 104*) of the System menu is set to “Cine EI.”

4. Special recording/operation status indication

●Rec	Recording in progress
Stby	Standby for recording
●S&Q Rec	Slow & Quick Motion recording in progress
S&Q Stby	Standby for Slow & Quick Motion recording

●HFR Rec	Slow & Quick Motion and Hi Frame Rate mode recording in progress
HFR Stby	Standby for Slow & Quick Motion and Hi Frame Rate mode recording
●Int Rec	Recording in progress in Interval Rec mode
Int Stby	Standby for Interval Rec recording
●Int Stby	Waiting for Interval Rec picture capturing
●Cache	<ul style="list-style-type: none"> ● lights in green: Standby for Picture Cache Rec mode ● lights in red: Recording in progress in Picture Cache Rec mode

- 5. Color temperature indications (page 70)**
- 6. S&Q motion frame rate/Interval Rec indication (pages 76, 95)**
Displays the interval time setting or time until the next recording, during Interval Rec.
- 7. Battery remaining charge/DC IN voltage indication (page 24)**
- 8. Focus position indication**
Displays focus position (only when a lens that is compatible with the focus setting display function is attached).
- 9. Zoom position indication**
Displays zoom position in the range of 0 (wide position) to 99 (tele position) (only when a lens that is compatible with the zoom setting display function is attached).
- 10. Iris position indication**
Displays iris position (only when a lens that is compatible with the iris setting display function is attached).
- 11. Auto iris level indication**
Displayed when “Level” in “Auto Exposure” (page 76) of the Camera menu is set to a value other than “±0.”
- 12. White balance mode indication (page 70)**
- | | |
|-----|-------------|
| W:P | Preset mode |
| W:M | Memory mode |
- 13. Control status of SDI output indication (page 88)**
- 14. SD card indication**
- 15. Time data indication (page 44)**
- 16. Focus assist indication (page 93)**
Displays the area that detects the focus status (“Focus Area Marker”) and level bar that indicates focus status in the area (“Focus Assist Indicator”).
- 17. Clip name indication (page 42)**
- 18. Audio level meter**
- 19. AXS memory status/remaining space indication (page 35)**
When the left side of the icon is orange, recording is possible.
When the green lamp on the upper right of the icon lights, playback is possible.
When the AXS-R7 is attached, the active media information of AXS(A) or AXS(B) is displayed.
- 20. A/B slot media status/remaining space indication (page 31)**
When the left side of the icon is orange, recording is possible.
When the green lamp on the upper right of the icon lights, playback is possible.
- 21. Video signal indication (page 93)**
Displays the waveform, vector scope, and histogram.
- 22. Wi-Fi connection status indication (page 36)**
Appears when “Wi-Fi” (page 110) is set to “Enable.”
- 23. Wireless receiver reception level**
When an UHF portable tuner is installed to the buildup kit CBK-55BK (optional) attached to the camcorder, “W” appears together with four segment reception level indicators for each of the channels (1 to 2) that can be used by the tuner. The indications are as follows.
In the normal situation: The number of segments indicates the strength of the signal level.
Muting: The number of transfective segments indicates the strength of the signal level.
Reception level over peak: “P” is displayed instead of the indicators.*
Tuner battery is low: The channel number and indicator of the corresponding channel flash.*
* For DWR-S02D only
- 24. Timecode external lock indication**
When the unit is locked to the timecode of an external device, “Ext-Lk” appears.
- 25. Gamma/Monitor LUT indication (pages 79, 89)**
Displays the gamma setting value. When “Shooting Mode” (page 104) is set to “Cine EI,” gamma for a picture that is recorded on an SxS memory card or the Monitor LUT setting appears.
- 26. Simultaneous recording status indication (page 46)**
M-Proxy: Displayed when the function of simultaneous recording on one memory card is effective.
- 27. Recording format (codec) indication (page 28)**
Displays the format that is recorded on an SxS memory card or an AXS memory card.
- 28. System frequency and scan method indication (page 27)**

29. Recording format (picture size) indication (page 28)

Displays the picture size that is recorded on an SxS memory card or an AXS memory card.

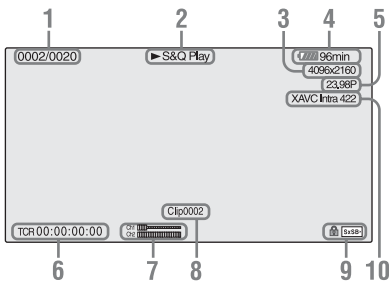
Displays the imager scan mode (2KF: 2K Full, 2KC: 2K Center) on the left side of the picture size.


Displays imager scan mode only when recording only RAW format.

Displays the reading mode of the imager and picture size of the SxS memory card when recording to an AXS and an SxS memory card simultaneously.

Information displayed on the playback screen

The following information is superimposed on the playback picture.



1. Clip no./total number of clips
2. Playback mode
3. Playback format (picture size)
4. Battery charge remaining/DC IN voltage
5. Playback format (frame rate)
6. Time data
You can switch between timecode and duration by using “TC Display” (page 94) in the TC/UB menu.
7. Audio levels
The audio levels for the recording are displayed.
8. Clip name
9. Media
A  mark appears to the left if the memory card is write-protected.
10. Playback format (codec)

Power Supply

You can use a battery pack or AC power via an AC adaptor.

For safety, use only the Sony battery packs and AC adaptors listed below:

Lithium-ion Battery Pack

BP-FL75

BP-FLX75

AC Adaptor

AC-DN2B

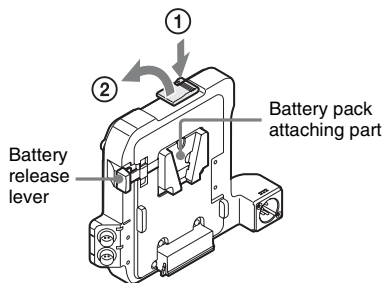
AC-DN10

Using a Battery Pack

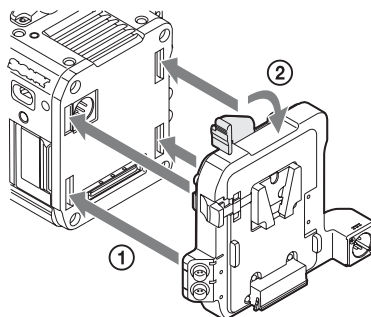
Attaching a battery pack

1 Attach the battery adaptor (supplied) to the camcorder.

Press the release button (①) of the battery adaptor to pop up the ejection lever, then raise the ejection lever (②).



Insert the projection of the battery adaptor into the slot on the rear of the camcorder (①), then lower the ejection lever (②).



Notes

- Before attaching the battery adaptor, make sure that the ejection lever is raised.
- Before lowering the ejection lever, make sure that the four hooks are attached securely. If the four hooks are not attached securely, it may cause the connection to be poor or damage the camcorder and battery adaptor.

2 Attach a battery pack to the battery adaptor.

Insert the battery pack into the battery pack attaching part of the battery adaptor, then slide the battery pack down to lock it in place.

Notes

- Before use, charge the battery pack with the battery charger.
- A warm battery pack immediately after use may not be able to be fully recharged.

Removing a battery pack







Unlock the battery pack by sliding it up while pressing the battery release lever, then remove it. Press the release button and raise the ejection lever, then remove the battery adaptor by pulling it out while sliding upward.

Note

Remove the battery adaptor while supporting the camcorder by hand.

Checking remaining battery charge

When recording or playback is in progress on the battery pack, an icon to show the current battery remaining time and battery voltage are displayed on the sub display screen (*page 17*) and viewfinder screen (*page 20*).

Icon	Remaining charge
	100% to 91%
	90% to 71%
	70% to 51%
	50% to 31%
	30% to 11%
	10% to 0%

The camcorder indicates the remaining usage time in minutes by calculating the available time with the battery pack if operation is continued at the current rate of power consumption.

If the remaining battery charge becomes low

If the remaining battery charge decreases to a certain level during operation, a low-battery message, flashing of the REC lamp, and a beep sound will warn you.

If the remaining charge further decreases to a level at which operation cannot be continued, a battery-empty message appears.

Replace the battery pack with one that is fully charged.

To change the message levels

These settings can be changed with “Battery Alarm” (*page 108*) in the System menu.

Using AC Power (DC IN Power)

The camcorder works with AC power by using the AC adaptor AC-DN2B/AC-DN10 (optional) and DC cable CCDD-X2 (optional).

Setting the Clock

When you turn the camcorder on for the first time after purchasing or replacing the backup battery, the Initial Setting display appears on the viewfinder screen.

Set the date and time of the built-in clock, using this display.

Time Zone

The value shows the time difference from UTC (Coordinated Universal Time).

Change the setting if needed.

Setting the time and date

Turn the MENU dial (*page 11*) to move the cursor, then press the MENU dial to set each menu item. When you press the MENU dial when the cursor is on “Finish,” the setting display disappears, the clock setting is completed.

After the setting display disappears, “Clock Set” (*page 109*) in the System menu can be used to set “Time Zone” and date/time.

Notes

- If the clock setting is cleared because the backup battery fully discharged when no power was supplied (no battery pack and no DC IN connection), the Initial Setting display will be displayed when you next turn the camcorder on.
- While the Initial Setting display is shown, no other operation, except turning the power off, is permitted until you finish the setting for this display.

Attaching Optional Devices

Attaching a Lens

Recommended lenses

PMW-F3K supplied lenses (35 mm/50 mm/85 mm)

SCL-PK6/F, SCL-PK6/M (set of 6 lenses, 20 mm/25 mm/35 mm/50 mm/85 mm/135 mm)

SCL-PK3/F, SCL-PK3/M (set of 3 lenses, 20 mm/25 mm/135 mm)

SCL-P11X15

SCL-Z18X140

For details about available lenses for the camcorder, contact a Sony service representative.

Caution

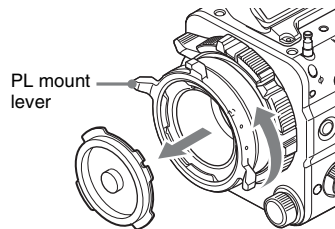
Do not leave the lens facing the sun. Direct sunlight can enter through the lens, be focused in the camcorder, and cause fire.

Notes

- Attach/remove a lens while the camcorder is turned off.
- A lens is a precision part. Do not place the lens directly with the mount part down. Attach the cover supplied with the lens.
- The lens interface of the camcorder is set to “Type C,” to correspond with the lens that is supplied with the PMW-F3K, SCL-P11X15, and lenses with a Cooke-type connector. When using a lens with an ARRI-type connector, set “Lens interface” (page 78) in the Camera menu to “Type A.” Set to “Off” for SCL-PK6, SCL-PK3, or other lenses. If this setting is not correct, an alert message appears when the camcorder is turned on after attaching the lens.

Attaching a PL mount lens

- 1 Remove the mount cover from the lens mount by turning the PL mount lever counterclockwise.

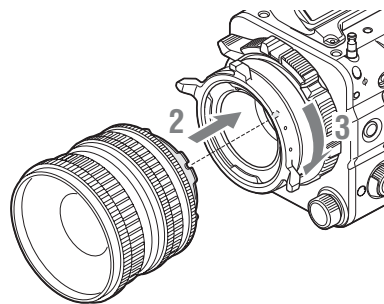


Note

Turn the PL mount lever counterclockwise to the stopper position.

- 2 Insert the lens into the lens mount by matching the concave part of the lens to the locating pin on the upper right of the lens mount.

- 3 Fix the lens by turning the PL mount lever clockwise while holding the lens.

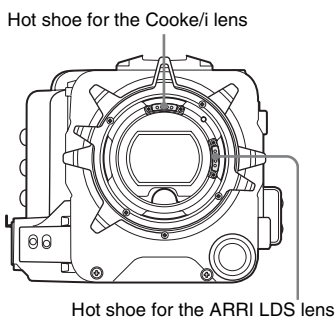


Note

Do not turn the lens when attaching the PL mount lens. It may cause damage to the hot shoe pin.

To attach an ARRI* LDS lens or Cooke/i lens

Match the contact of the lens to the hot shoe of the camcorder.



* ARRI Group

Attaching other than a PL mount lens

When using an FZ mount lens or B4 lens by attaching an optional LA-FZB1/FZB2 mount adapter, attach it after removing the mount adapter by turning the lens mount counterclockwise.

Adjusting a flange focal length

You need to adjust the flange focal length (distance from the mounting flange to the film plane) for the following cases.

- When a lens is attached for the first time.
- When a lens is changed.
- When focus is not achieved for either tele or wide angle while using a zoom lens.

You can adjust the flange focal length by turning the screw for the flange focal length (page 11).

Use a hex key (7/64) for adjusting.

When turning the screw to the left, the flange focal length becomes long. When turning the screw to the right, the flange focal length becomes short. Turn the screw slowly.

Notes

- The camcorder will not work if the screw for the flange focal length is turned too much. Stop turning the screw when the amount of the flange focal length no longer changes. Approximate limit for turning the screw is 7 rotations to the right/left.
- Use a hex key of the specified size. Otherwise, the screw head may be damaged and you may be unable to turn the screw.

Removing a lens

Remove a lens with the following steps.

1 Turn the PL mount lever counterclockwise while holding the lens from underneath.

2 Pull the lens forward.

Note

If another lens will not be attached soon, fit the concave part of the mount cover, then fix the mount cover by turning the PL mount lever clockwise.

Selecting the lens file

By storing the adjustment value of the attached lens as a file, you can easily perform adjustment for the lens by loading the file.

Load the file in "Lens File" (page 102) of the File menu.

Controlling zoom and focus from the external device

You can control zoom and focus from the optional CBK-DCB01 by connecting the CBK-DCB01 to the REMOTE connector (page 13) when using Sony lens SCL-Z18X140.

Note

When connecting the CBK-DCB01 to the REMOTE connector independently, set "RM Common Memory" in "Camera Config" (page 103) of the Maintenance menu to "On."

For details regarding CBK-DCB01 that can be used with the camcorder, contact a Sony service representative.

Attaching a Viewfinder

Available viewfinders for the camcorder

- DVF-L350: LCD color viewfinder
- DVF-L700: LCD color viewfinder
- DVF-EL100: OELD color viewfinder

Caution

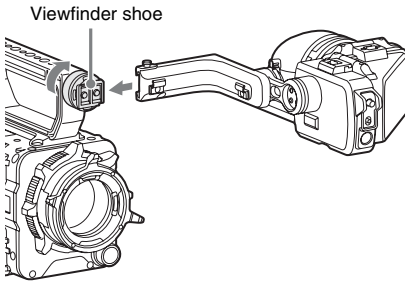
Do not leave the camcorder with the eyepiece of the viewfinder facing the sun. Direct sunlight can enter through the eyepiece, be focused in the viewfinder, and cause fire.

Notes

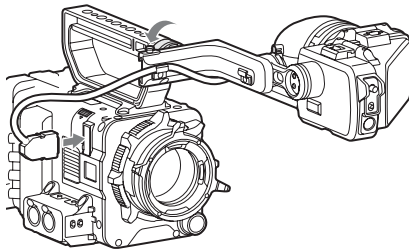
- Attach/remove the viewfinder while the camcorder is turned off.
- When using the camcorder with the DVF-L700 attached, turn the camcorder on while the POWER switch of the DVF-L700 is set to ON.

For details about attaching the viewfinder, refer to the operating instructions of the viewfinder.

- 1 Loosen the fixing ring of the viewfinder shoe, align the slot of the viewfinder, then attach the viewfinder by sliding it horizontally.**



- 2 Tighten the fixing ring after determining the left and right position of the viewfinder, then connect the viewfinder cable to the VF connector of the camcorder.**



To remove the viewfinder

Loosen the fixing ring for the viewfinder, raise the stopper, then remove the viewfinder by sliding it in the reverse direction for when attaching.

Setting the Basic Action

Before recording, make the basic settings, as required.

System Frequency

Switch by setting “Frequency” in “System Setting” (page 104) of the System menu. After switching this setting, the camcorder will automatically restart, depending on the setting value.

Note

The system frequency setting cannot be changed during recording or playback.

Shooting Mode

You can switch between the “Cine EI” mode (allows you to use the camcorder as a film camera, where the movie is edited post-production, rather than at the time of shooting), and the “Custom” mode (allows you to edit pictures as you make the movie, by accessing all the setting items).

Switch the mode by using “Shooting Mode” in “Base Setting” (page 104) of the System menu.

Main Recorded Signal

Set the predominant signal format to be used. Set the format by using “Main Operation” in “Base Setting” (page 104) of the System menu. The video signal is recorded on the AXS-R5/R7 attached to the camcorder when AXS(R5/R7) has been selected. YPbPr and RGB signals are recorded on the SxS memory card within the camcorder. Since the RGB signal is output from the SDI 1/2 connector of the camcorder, record it on an external device such as SR-R1. Select the format from YPbPr/RGB/AXS(R7/R5) when “Shooting Mode” is set to “Cine EI,” and from YPbPr/RGB when “Shooting Mode” is set to “Custom.”

Note

The AXS(R7/R5) signal can be selected only when attaching the AXS-R5/R7. If the AXS-R5/R7 is not attached, “Main Operation” is locked to “YPbPr” or “RGB.”

Color Space

Select the color gamut that is to be the basis of the recorded signal and the output signal.

When “Shooting Mode” is set to “Cine EI,” select the color gamut for video output of which MLUT is set to off. When “Shooting Mode” is set to “Custom,” “Color Space” is locked to “Matrix.” Select it by using “Color Space” in “Base Setting” (page 104) of the System menu.

S-Gamut/SLog2: Wider gamut that is comparable with a film camera.

S-Gamut3.Cine/SLog3: Color gamut that is easy to adjust for digital cinema (DCIP3).

S-Gamut3/Slog3: Wide color gamut optimized by Sony’s original image distortion correction technology, and adaptable to the color gamut that will be standardized in the future.

Matrix: Selects the color gamut by Matrix setting as done with traditional cameras (when “Shooting Mode” is set to “Custom”).

Note

Gamma curve is locked to “S-Log2” when “S-Gamut/SLog2” is selected, gamma curve is locked to “S-Log3” when “S-Gamut3.Cine/SLog3” or “S-Gamut3/SLog3” is selected.

Imager Scan Mode

You can set the shooting method for the image sensor.

Select the mode by using “Imager Scan Mode” in “Base Setting” (page 104) of the System menu.

Normal: Uses the full angle of Super 35 mm size as it is, except at the high frame rate mode of the Slow & Quick Motion function.

When “High Frame Rate Mode” in “S&Q Motion” (page 76) of the Camera menu is set to “2K Full Scan,” the full angle picture of Super 35 mm size that is converted to 2K data is used. When “High Frame Rate Mode” in “S&Q Motion” (page 76) of the Camera menu is set to “2K Center Scan,” the 2K angle picture that is half of the Super 35 mm size (center area of the picture) is used.

2K Full: Uses the full angle picture of Super 35 mm size that is converted to 2K data.

2K Center: Uses the 2K angle picture that is half of the Super 35 mm size (center area of the picture).

Recording Format

Selectable formats vary, depending on the system frequency and main recorded signal settings.

System frequency	Main recorded signal	Format
29.97/50 23.98	YPbPr	XAVC 4K Class300*
		XAVC QFHD Class300*
		XAVC 2048 × 1080P
		XAVC 1920 × 1080P
		MPEG 1920 × 1080i
		MPEG 1280 × 720P
		SSiP SR-SQ 422 (59.94 only)
		DNxHD 220x HD i**
		DNxHD 145 HD i**
		ProRes 422 HQ HD i**
		ProRes 422 HD i**
	RGB	XAVC 2048 × 1080P***
		XAVC 1920 × 1080P***
		MPEG 1920 × 1080i***
	AXS(R7/R5)	XAVC 2048 × 1080P***
		XAVC 1920 × 1080P***
		MPEG 1920 × 1080i***
29.97/25/ 23.98	YPbPr	XAVC 4K Class480*
		XAVC 4K Class300*
		XAVC QFHD Class480*
		XAVC QFHD Class300*
		XAVC 2048 × 1080P
		XAVC 1920 × 1080P
		MPEG 1920 × 1080i
		SSiP SR-SQ 422
		SSiP SR-Lite 422
		DNxHD 220x HD P**
		DNxHD 145 HD P**
		ProRes 422 HQ HD P**
		ProRes 422 HD P**
	RGB	XAVC 2048 × 1080P***
		XAVC 1920 × 1080P***
		MPEG 1920 × 1080i***
		SSiP SR-SQ 444
		ProRes 4444 HD P**
	AXS(R7/R5)	XAVC 2048 × 1080P***
		XAVC 1920 × 1080P***
		MPEG 1920 × 1080i***

System frequency	Main recorded signal	Format
24	YPbPr	XAVC 4K Class480* XAVC 4K Class300* XAVC 2048 × 1080P SStP SR-SQ 422 SStP SR-Lite 422 ProRes 422 HQ HD P** ProRes 422 HD P**
	RGB	XAVC 2048 × 1080P*** SStP SR-SQ 444 ProRes 4444 HD P**
	AXS(R7/R5)	XAVC 2048 × 1080P***

* PMW-F5 with the CBKZ-55FX applied or PMW-F55 only.

** When the CBK-55PD is installed.

*** The recorded signal is YPbPr.

To change the format, use “SxS Format” in “Rec Format” (page 105) of the System menu. Signals from the SDI OUT and HDMI OUT connectors are also output according to the format selected with this menu.

Using SxS Memory Cards

This camcorder records audio and video on SxS memory cards (optional) inserted in the card slots.

About SxS Memory Cards

Use the following Sony SxS memory cards or XQD memory cards*.

* When using an XQD memory card, the XQD ExpressCard adapter (QDA-EX1) is required.

Available memory cards differ depending on the recording format and “On”/“Off” setting of “High Frame Rate Mode.”

SxS PRO+

SBP-256D, SBP-128B/C/D, SBP-64B/C/D: Available for all recording formats, and when “High Frame Rate Mode” is set to “On” or “Off.”

SxS PRO

SBP-64A, SBP-32: SStP SR-Lite 422, XAVC 2048 × 1080P/1920 × 1080P (only when “High Frame Rate Mode” is set to “Off”), MPEG 1920 × 1080P/i, 1280 × 720P, DNxHD 220x HD P/i, DNxHD 145 HD P/i, ProRes 422 HD P/i, ProRes 422 HQ HD P/i

SxS-1

SBS-64G1A/B, SBS-32G1A/B: MPEG 1920 × 1080P/i, 1280 × 720P

XQD memory card S series, G series

QD-S64E, QD-S32E, QD-G128A/E, QD-G64A/E, QD-G32A/E: Available for all recording formats, and when “High Frame Rate Mode” is set to “On” or “Off.”

XQD memory card N series, M series

QD-N64, QD-M128A, QD-M64A, QD-M32A: MPEG 1920 × 1080P/i, 1280 × 720P

Operations are not guaranteed with other memory cards.

These memory cards comply with the ExpressCard standard.

For details on using SxS memory cards and usage-related precautions, refer to the instruction manual for the SxS memory card.

- SxS, SxS PRO, and SxS-I are trademarks of Sony Corporation.
- XQD is a trademark of Sony Corporation.
- The ExpressCard word mark and logo are owned by Personal Computer Memory Card International Association (PCMCIA) and are licensed to Sony Corporation. All other trademarks are the property of their respective owners.

Inserting an SxS Memory Card

- 1 **Open the cover of the card slot block** (*page 14*).
- 2 **Insert the SxS memory card into the slot with the SxS label facing to the right.**
The ACCESS lamp (*page 14*) lights in red then changes to green once the memory card is ready for use.
- 3 **Close the cover.**

Status indications by the ACCESS lamps

Card slots A and B are accompanied by the respective ACCESS lamps to indicate their status.

Lamp	Slot statuses
Lights in red	Accessing the SxS memory card (writing/reading data)
Lights in green	Standby (ready for recording or playback using the SxS memory card)
Off	<ul style="list-style-type: none"> • No SxS memory card is loaded. • The loaded card is invalid. • An SxS memory card is loaded, but another slot is active.

Removing an SxS memory card

- 1 **Open the cover of the card slot block, press the EJECT button** (*page 14*), **then pull the button out.**
- 2 **Press the EJECT button again to remove the card.**

Note

Data integrity is not guaranteed if the power is turned off or a memory card is removed while it is being accessed. Data on the card may be destroyed. Be sure that its ACCESS lamp is lit in green or off when you turn off the power or remove a memory card.

Switching Between SxS Memory Cards

When SxS memory cards are loaded in both card slots A and B, press the SLOT SELECT button (*page 14*) to select the card you wish to use. If a card becomes full, recording continues after automatically switching to the second card.

Note

The SLOT SELECT button is disabled while recording/playback is in progress. Switching is not executed even if you press the button. The button is enabled while the thumbnail screen is displayed (*page 49*).

Formatting an SxS Memory Card

If an SxS memory card is not formatted, or was formatted with another system, the message “Media Needs to be Formatted” is displayed on the viewfinder screen.

Format the card as instructed follows.

Using “Format Media” (*page 99*) **in the Media menu, specify “Media(A)” (slot A) or “Media(B)” (slot B) then select “Execute.”** **On a confirmation message, select “Execute” again.**

The in-progress message and status bar are displayed, and the ACCESS lamp lights in red. When formatting is complete, a completion message is displayed. Press the MENU dial to hide the message.

Recording/playback during formatting

You can perform recording or playback using the SxS memory card in the other card slot while formatting is in progress. (except during High Frame Rate mode recording and simultaneous recording.)

If formatting fails

A write-protected SxS memory card or memory card that cannot be used with this camcorder will not be formatted.

As a warning message is displayed, replace the card with an appropriate SxS memory card, according to the instructions in the message.

Note


All the data, including recorded pictures and setup files, are erased when a memory card is formatted.

Checking the Remaining Time Available for Recording

While recording (or standing by to record), you can check the remaining space for the SxS memory cards loaded in the card slots on the A/B slot media status/remaining space indication of the sub display (*page 17*) or viewfinder screen (*page 20*).

The available time for recording with the current video format (recording bit rate) is calculated according to the remaining space of each card and displayed in time units of minutes.

Note

A  icon appears if the memory card is write-protected.

Replacing an SxS memory card

- If the available time on two cards in total becomes less than 5 minutes, the message “Media Near Full,” flashing the REC lamp, and a beep sound, will warn you. Replace the cards with those that have sufficient space.
- If you continue recording until the total remaining time reaches zero, the message changes to “Media Full,” and recording stops.

Note

Up to approximately 600 clips can be recorded on one SxS memory card.
If the number of recorded clips reaches the limit, the remaining time indication becomes “0,” and the message “Media Full” is displayed.

Restoring an SxS Memory Card

If a data error occurs in a memory card for some reason, the card must be restored.

If an SxS memory card that needs to be restored is loaded, a message prompting you to execute the restore operation is displayed on the viewfinder screen.

Restore the card as instructed follows.

Select “Execute” by turning the MENU dial, then press the MENU dial.

During restoration, the in-progress message and status bar are displayed, and the ACCESS lamp lights in red.

When restoration is completed, the completion message is displayed, then press the MENU dial to disappear the message.

If restoration fails

- A write-protected SxS memory card, or one on which an error occurred, cannot be restored. For such a card, a warning message is displayed. Release the write protection or replace the card, according to the instructions in the message.
- An SxS memory card on which an error occurred may become usable again through repeated formatting.
- In some cases, only parts of clips cannot be restored. Playback of the restored clips becomes possible again.
- The following operation may restore an SxS memory card for which the message “Could not Restore Some Clips” is repeatedly displayed each time you try the restoration process:

- 1 Copy necessary clips to another SxS memory card, using the dedicated application software (*page 112*).
- 2 Format the problem SxS memory card, using the format function of this camcorder.
- 3 Copy the clips back to the SxS memory card.

Recording/playback during restoration

You can perform recording or playback using the SxS memory card in the other card slot while restoration is in progress. (except during High Frame Rate mode recording and simultaneous recording.)

Note

For restoration of media recorded with this unit, be sure to use this unit. Media recorded with a device other than this unit or with another unit of different version (even of the same model) may not be restored using this unit.

To update the managerial file

If clips cannot be played back, updating the managerial file on the card may improve the situation. For this operation, use “Update Media” (*page 98*) of the Media menu.

If you write an XAVC file that is imported by RAW Viewer V2.2 or later to the “XDROOTClip” directory of an SxS memory card directly, that file can be played by performing “Update Media.”

Using an SD Card

You can store the setting value file of the camera on an SD card (optional). The stored file can be loaded from the SD card.

Usable SD Cards

SDHC memory card* (Speed Class: 4 to 10, UHS is not compatible, Capacity: 2 GB to 32 GB)

SD memory card* (File system: FAT 16, Capacity: up to 2 GB)

* Indicated as “SD card” in these Operating Instructions.

Inserting an SD Card

- 1 **Open the cover of the card slot block (page 14).**
- 2 **Insert the SD memory card into the slot with the SD label facing up.**
The ACCESS lamp (page 14) lights in red then changes to green once the memory card is ready for use.
- 3 **Close the cover.**

Status indications by the ACCESS lamp

Lamp	Slot statuses
Lights in red	Accessing the SD card (writing/reading data)
Off	<ul style="list-style-type: none"> • No SD card is loaded. • The loaded card is invalid.

Removing an SD memory card

Open the cover of the card slot block, remove the SD card by pressing the SD card once lightly.

Notes

- Data integrity is not guaranteed if the power is turned off or a memory card is removed while it is being accessed. Data on the card may be destroyed. Be sure that its ACCESS lamp is lit in green or off when you turn off the power or remove a memory card.
- Make sure that the card does not pop out when inserting or removing it.

Formatting an SD Memory Card

When you use an SD memory card with this camcorder, it must be formatted using the format function of this camcorder.

It is also necessary to format an SD memory card if a caution message is displayed when you mount it.

For an SD memory card that was formatted with another system unsupported by this camcorder, the message “File System Mismatch” is displayed on the viewfinder screen.

Format the card as instructed follows.

Using “Format Media” (page 99) in the Media menu, specify “SD card” then select “Execute.” On a confirmation message, select “Execute” again.

The in-progress message and status bar are displayed, and the ACCESS lamp lights in red. When formatting is complete, a completion message is displayed. Press the MENU dial to hide the message.


Note

All the data are erased when a memory card is formatted, and the data cannot be restored.

Checking the Remaining Time

The remaining time can be checked on the Media status screen (page 13).

Note

A  icon appears if the memory card is write-protected.

To use media formatted with this camcorder in the slots of other devices

Make a backup of the media, then format it using the other device.

Using an AXS-R5/R7

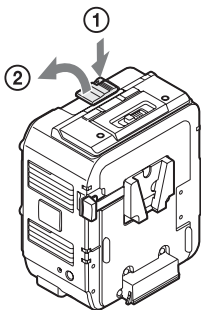
You can record image/audio (AXS format) data to the AXS (Access Memory Card System) recorder AXS-R5/R7 (optional) by connecting the AXS recorder to the camcorder.

Attaching the AXS-R5/R7

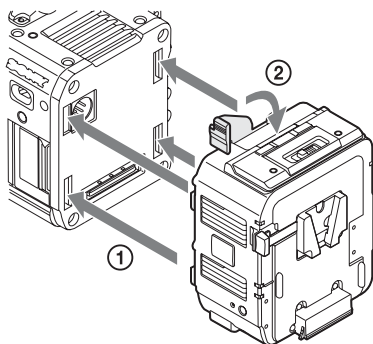
Note

Attach/remove the AXS-R5/R7 while the camcorder is turned off.

- 1 Press the release button of the AXS-R5/R7 (①) to pop up the ejection lever, then raise the ejection lever (②).



- 2 Insert the projection of the AXS-R5/R7 into the slot on the rear of the camcorder (①), then lower the ejection lever (②).



Notes

- Before attaching the AXS-R5/R7, make sure that the ejection lever is raised.
- Before lowering the ejection lever, make sure that the four hooks are attached securely. If the four hooks are not attached securely, it may cause the connection to be poor or damage the camcorder and AXS-R5/R7.

- 3 Attach the supplied top plate (AXS-R7 only).

Note

For details about attaching the top plate, refer to the operating instructions of the AXS-R7.

Removing the AXS-R5/R7

Press the release button and raise the ejection lever, then remove the AXS-R5/R7 by pulling it out while sliding upward.

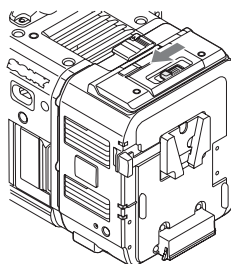
Note

Remove the AXS-R5/R7 while supporting the camcorder by hand.

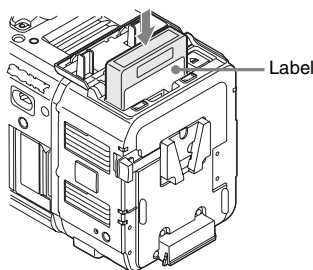
Inserting an AXS Memory Card

The following is the procedure for inserting into the AXS-R5. For inserting into the AXS-R7, refer to the operating instructions of the AXS-R7.

- 1 Open the cover by sliding the memory slot cover open/close button on the top of the AXS-R5.



- 2 Insert the AXS memory card into the card slot with the label facing as indicated below.



- 3 Close the cover.

Removing an AXS Memory Card

The following is the removal procedure for the AXS-R5. For the AXS-R7, refer to the operating instructions of the AXS-R7.

Open the cover of the AXS-R5, press the EJECT button and remove the AXS memory card.

Note

Data integrity is not guaranteed if the power is turned off or a memory card is removed while it is being accessed. Data on the card may be destroyed. Be sure that its ACCESS lamp is lit in green or off when you turn off the power or remove a memory card.

Recording to an AXS Memory Card

Set “Shooting Mode” in “Base Setting” (*page 104*) to “Cine EI,” and “Main Operation” in “Base Setting” (*page 104*) to “AXS(R7/R5)” of the System menu.

For settings of the AXS-R5/R7, see “AXS Recorder” (*page 109*) of the System menu. The AXS-R7 can be used to select the recording format on the AXS memory card. Select the recording format from “AXS Format” in “Rec Format” (*page 105*) from the System menu.

Note

The AXS memory card in the AXS-R7 does not switch to the second card automatically, even if the card becomes full while recording. Use the SLOT SELECT button on the AXS-R7 to switch the card.

Recording 4K 120FPS with the AXS-R7

You can record 4K 120FPS in RAW or X-OCN format with the AXS-R7.

Set the quick menu or setup menu as follows to record 4K 120FPS.

For the quick menu setting

Set “Over 60FPS Resolution” to “Off” and “1-60FPS Resolution” to “4K” in the Project category, and set “FPS” to “120FPS” in the CAMERA-1 screen of the sub display.

For the setup menu setting

Set “Setting” to “On,” “High Frame Rate Mode” to “Off,” and “Frame Rate” to “120” in “S&Q Motion” on the Camera menu.

Formatting an AXS Memory Card

When you use an AXS memory card with the AXS-R5/R7 that is attached to the camcorder, it must be formatted using the format function of this camcorder.

It is also necessary to format an AXS memory card if a caution message is displayed when the camcorder is turned on with the AXS recorder attached.

For an AXS memory card that was formatted with another system unsupported by the AXS-R5/R7, the message “Media Needs to be Formatted” is displayed on the viewfinder screen.

Format the AXS memory card as follows.

Using “Format Media” (*page 99*) in the Media menu, specify “AXS Memory” (when the AXS-R5 is attached) or “AXS(A)”/“AXS(B)” (when the AXS-R7 is attached), then select “Execute.”

An in-progress message and status bar are displayed, and the ACCESS lamp lights in red. When formatting is complete, a completion message is displayed. Press the MENU dial to hide the message.


Note

When formatting, all data in an AXS memory card are erased and cannot be restored.

Checking the Remaining Time Available for Recording

While recording (or standing by to record), you can check the time remaining for the AXS memory cards on the AXS memory status/remaining space indication of the sub display (page 17) or viewfinder screen (page 20). The available time for recording with the current video format (recording bit rate) is calculated according to the remaining space of each card and displayed in time units of minutes.

Notes

- A  icon appears if the memory card is write-protected.
- When the AXS-R7 is attached to the camcorder, the time remaining on the active AXS memory card is displayed. To switch active media, use the SLOT SELECT button on the AXS-R7.

Restoring the AXS Memory Card

If a data error occurs on the AXS memory card for some reason, the card must be restored.

If an AXS memory card that needs to be restored is connected, a message prompting you to execute restoration is displayed on the viewfinder screen. Restore the card as instructed follows.

Select “Execute” by turning the MENU dial, then press the MENU dial.

During restoration, the in-progress message and status bar are displayed, and the ACCESS lamp lights in red.

When restoration is completed, the completion message is displayed, then press the MENU dial to disappear the message.

If restoration fails

- A write-protected AXS memory card or one on which an error occurred cannot be restored. For such a card, a warning message is displayed. Release the write protection or replace the card, according to the instructions in the message.
- An AXS memory card on which an error occurred may become usable again through repeated formatting.
- In some cases, only parts of clips cannot be restored. Playback of the restored clips becomes possible again.

Note

For restoration of media recorded with this unit, be sure to use this unit. Media recorded with a device other than this unit or with another unit of different version (even of the same model) may not be restored using this unit.

To update the managerial file

If clips cannot be played back, updating the managerial file on the card may improve the situation. For this operation, use “Update Media” (page 98) of the Media menu.

Using a USB Wireless LAN Module

You can make the Wi-Fi connection between the camcorder and a device such as a smartphone, tablet, etc., by attaching the supplied IFU-WLM3 USB wireless LAN module.

Notes

- The IFU-WLM3 USB Wireless LAN Module (supplied) may not be available in some countries/regions.
- Attach/remove the IFU-WLM3 after the camcorder is turned off.
- If you use a wireless device near the camcorder, the camcorder may not work correctly. Turn the wireless device off near the camcorder.
- You cannot use a USB wireless LAN module other than the IFU-WLM3.
- Depending on the Wi-Fi signal condition in the use environment or the position of the Wi-Fi device and camcorder, the Wi-Fi connection may not be established. In this case, fix the IFU-WLM3 to the screw hole (1/4 inch) on the handle of the camcorder by using the supplied USB extension cable.

Making a Wi-Fi connection between a device and the camcorder enables you to do the following.

- Operate the setup menu
- Record and playback the camcorder
- Display the current status of the camcorder
- Switch between the recording settings and system settings
- Operate the assignable buttons of the camcorder

Attaching the IFU-WLM3

- 1 **Open the cover of the USB wireless LAN module retracting part (page 13).**
- 2 **Insert the IFU-WLM3 to the USB connector.**
- 3 **Close the cover.**

Making a Wi-Fi Connection

Note

Only one Wi-Fi device can be connected at a time.

To make a network setting

Change the “Basic Authentication” settings (page 109) of the System menu as required.

Item	Setting
User Name	User name for log-in (factory default setting: “admin”)
Password	Password for log-in (factory default setting: model name “pmw-f5” or “pmw-f55”)

For details about the menu settings and entering a character string, see “Setup Menu Operations” (page 67).

To make a connection

- 1 **Set “Wi-Fi” in “Wi-Fi” (page 110) of the System menu to “Enable.”**
- 2 **Make a Wi-Fi connection by inputting the SSID and Password onto the device, or by using the Wi-Fi direct connection function.**
- 3 **Select “Execute” for “Wi-Fi Direct Connection” in “Wi-Fi” of the System menu.**

You can check the SSID and password of the camcorder on “SSID & Password” in “Wi-Fi” (page 110) of the System menu.

When using the Wi-Fi direct connection function, proceed to the following step.

The setup menu disappears, and the connection wait message for the Wi-Fi direct connection function appears.

Using the Push-Button method

When you perform the Push-Button method on the device, the message for connection permission appears on the connection wait screen. Select “Execute.”

Using the PIN code method

When you perform the PIN code method on the device, the device name and PIN code appears on the connection wait screen.

Complete the connecting process by inputting the PIN code to the device.

Using the Wi-Fi Remote Commander

When a Wi-Fi connection is established between a device such as smartphone, tablet, etc., and the camcorder, the Wi-Fi remote commander appears on the device screen and the device can be used as a remote commander.

You can start/stop recording and adjust the recording settings with a Wi-Fi connected device. This function is useful for setting the camcorder in a remote place, such as the top of a crane, etc.

Note

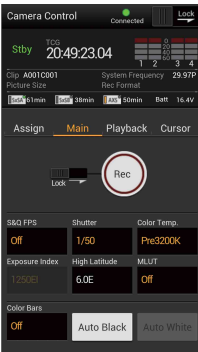
The Wi-Fi remote commander is not capable of the following functions.

- Zoom, Focus, and Iris control.
- Displaying the thumbnail screen.

Wi-Fi remote commander displays

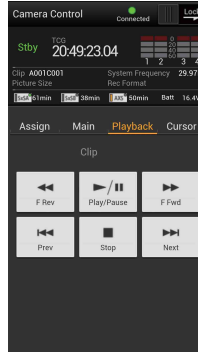
Smartphone

Main screen



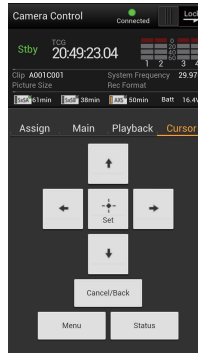
- Wi-Fi connecting status (Connected/Disconnected)
- Status indication: operating status, time data, audio level meter, clip name, recording format, media status/remaining space, battery remaining charge/DC IN voltage
- Recording settings indication: S&Q FPS, Shutter, Color Temp., Sensitivity/Gain/Exposure Index, Gamma, MLUT, Color Bars, Auto Black, Auto White

Playback screen



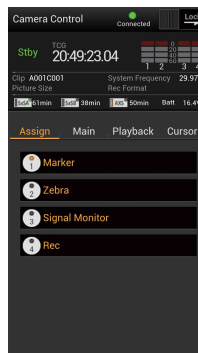
- Wi-Fi connecting status (Connected/Disconnected)
- Status indication
- Playback operation button: F Rev, Play/Pause, F Fwd, Prev, Stop, Next

Cursor screen



- Wi-Fi connecting status (Connected/Disconnected)
- Status indication
- Cursor operation button, menu/status indication: Up, Left, Set, Right, Down, Cancel/Back, Menu, Status

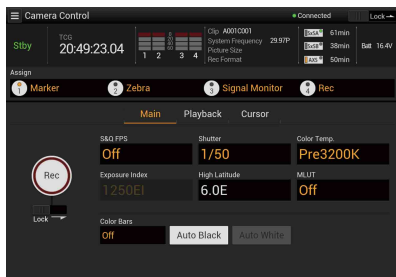
Assign screen



- Wi-Fi connecting status (Connected/Disconnected)
- Status indication
- Assignable button indication: Assignable buttons 1 to 4

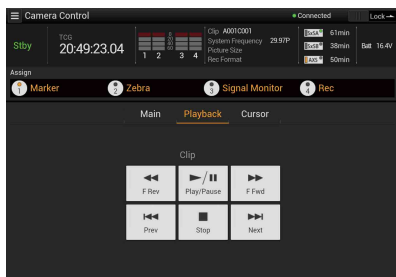
Tablet

Main screen



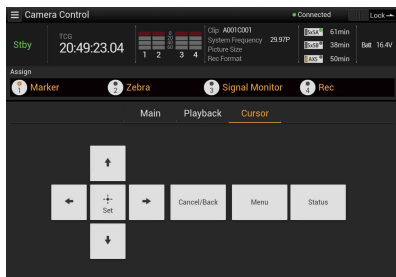
- Wi-Fi connecting status (Connected/Disconnected)
- Status indication: operating status, time data, audio level meter, clip name, recording format, media status/remaining space, battery remaining charge/DC IN voltage
- Assignable button indication: Assignable buttons 1 to 4
- Recording settings indication: S&Q FPS, Shutter, Color Temp., Sensitivity/Gain/Exposure Index, Gamma, MLUT, Color Bars, Auto Black, Auto White

Playback screen



- Wi-Fi connecting status (Connected/Disconnected)
- Status indication
- Assignable button indication
- Playback operation button: F Rev, Play/Pause, F Fwd, Prev, Stop, Next

Cursor screen



- Wi-Fi connecting status (Connected/Disconnected)
- Status indication
- Assignable button indication
- Cursor operation button, menu/status indication: Up, Left, Set, Right, Down, Cancel/Back, Menu, Status

To display the Wi-Fi remote commander

The display size of the Wi-Fi remote commander changes according to the device screen size automatically.

- 1 **Make a Wi-Fi connection between the device and camcorder (page 36).**
- 2 **Launch the browser and input `http://<camcorder's IP address>` (“System menu” > “Wi-Fi” > “IP Address”)/`rm.html` in the address bar.**
Example: When the IP address is 10.0.0.1, input `http://10.0.0.1/` in the address bar.
- 3 **Input the user name and password (“System menu” > “Basic Authentication” > “User Name” or “Password”) on the browser.**

When completing the connection, the display of the Wi-Fi remote commander appears on the device.

Operate the Wi-Fi remote commander by following the display.

The REC button becomes unavailable when the Lock switch is dragged to the right.

Notes

- Depending on the device, the Wi-Fi remote commander may not appear properly on the device's screen even though you input `http://<camcorder's IP address>/rm.html` in the address bar. In this case, input `“rms.html”` for a smartphone or `“rmt.html”` for a tablet instead of `“rm.html”` at the end of the address to display the Wi-Fi remote commander properly.
- The Wi-Fi remote commander on the device's screen may no longer match the actual status of the camcorder in the following cases. When this happens, refresh the browser on the device.
 - when the camcorder is restarted while the Wi-Fi connection is established
 - when the camcorder is controlled directly while the Wi-Fi connection is established
 - when the device is reconnected
 - when you operate forward/backward on the device's browser.
- If the Wi-Fi signal is poor, the Wi-Fi remote commander may not work properly.

Compatible devices

The following devices, using the specified versions or higher, can be used as Wi-Fi remote commanders.

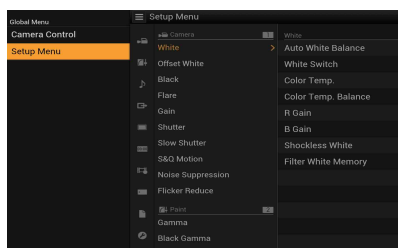
Device	OS	Browser
Smartphone	Android 6.0	Chrome V51
	iOS 9	Safari 9
Tablet	Android 6.0	Chrome V51
	iOS 9	Safari 9

Operate the setup menu from the Wi-Fi remote commander (Tablet only)

To display the setup menu on the tablet, select “Setup Menu” on the global menu that is displayed by touching the Menu icon (☰) on the upper left of the Wi-Fi remote display of the tablet.

To return to the camera control screen, select “Camera Control” on the global menu.

Menu icon



You can set/display the following items of the setup menu on the Wi-Fi remote display (tablet) (○: compatible, –: not compatible).

Camera menu	
White	○
Offset White	○
Black	○
Flare	○
Gain	○
Shutter	○
Slow Shutter	○
Auto Exposure	–
S&Q Motion	○
Color Bars	–
Noise Suppression	○
Flicker Reduce	○
Image Inversion	–
Lens Interface	–
Paint menu	
Gamma	○
Black Gamma	○
Knee	○
White Clip	○
Detail	○
Aperture	○
Skin Detail	○
Matrix	○
Multi Matrix	○
Audio menu	
Audio Input	–
Audio Level	–
Audio Output	○
Video menu	
Output On/Off	○
Output Format	○
Output Setting	○
Monitor LUT	○
Output Display	○
VF menu	
VF Setting	–
Peaking	–
Marker	○
Zebra	–
Display On/Off	–
TC menu	
Timecode	○
TC Display	○

Recording menu	
Interval Rec	<input type="radio"/>
Picture Cache Rec	<input type="radio"/>
MPEG2 Proxy	<input type="radio"/>
Rec Control	<input type="radio"/>
SDI Rec Control	<input type="radio"/>
Media menu	
Update Media	–
Format Media	<input type="radio"/>
Clip Naming	<input type="radio"/>
File menu	
All File	<input type="radio"/>
Scene File	<input type="radio"/>
User Menu Item	–
User Gamma	<input type="radio"/>
Monitor LUT	<input type="radio"/>
Monitor 3D LUT	<input type="radio"/>
Lens File	<input type="radio"/>
Maintenance menu	
APR	–
Test Saw	–
Camera Config	–
System menu	
System Setting	<input type="radio"/>
Base Setting	<input type="radio"/>
Rec Format	<input type="radio"/>
Genlock	–
Assignable Button	–
Switch / Lamp	–
Fan Control	<input type="radio"/>
Battery Alarm	–
DC Voltage Alarm	–
Language	–
Clock Set	–
Hours Meter	–
AXS Recorder	–
Basic Authentication	–
Wi-Fi	–
All Reset	–
Version	<input type="radio"/>

Notes

- When the setup menu is displayed on the Wi-Fi remote commander, you cannot set the setup menu items other than “Basic Authentication” and “Wi-Fi” of the System menu on the camcorder.
- When the setup menu is displayed on the Wi-Fi remote commander, you cannot change the settings on the sub display.

Basic Operation Procedure

Basic recording can be performed with the following procedures.

- 1 Make sure that the necessary devices are attached to the camcorder and power is supplied to them.**
- 2 Load the memory card(s).**
If you load two cards, recording is continued by automatically switching to the second card when the first card becomes full.
- 3 Set the power switch (page 12) to the ON position.**
The recording screen is displayed on the viewfinder screen.
- 4 Press the REC button (page 11).**
The REC lamp lights and recording begins.

Note

If the camcorder cannot start recording immediately after the pressing the REC button, the REC lamp flashes. The REC lamp lights when recording starts.

- 5 To stop recording, press the REC button again.**
Recording stops and the camcorder enters STBY (recording standby) mode.

Playing a recorded clip

You can play the recorded clip while the camcorder is in standby mode.

- 1 Insert the SxS memory card.**
- 2 Press the VIEW button in the function button (page 14) once to display the VIEW-1 screen.**
- 3 Search the desired clip by pressing Prev or F Rev button on the sub display.**
- 4 Press the Play/Pause button on the sub display.**
The playback image appears on the viewfinder.

Playback operation is performed by the buttons on the sub display.

Play/Pause button: Pauses playback. To resume playback, press this button again.

F Fwd button/F Rev button: Plays fast. To return to normal playback, press the Play/Pause button.

Stop button: Stops playback or recording.

Monitoring audio

In normal playback mode, you can monitor the recorded audio signals through the built-in speaker (page 12) or connected headphones. When connecting the headphones to the headphones connector (page 14), the built-in speaker is turned off.

You can select audio channel to be monitored and adjust the sound volume with “Audio Output” (page 86) in the Audio menu.

Cueing Up

To start playback from the top of the clip

Press the Prev button or Next button on the sub display (page 17). You can cue to the top of the desired clip by pressing the button repeatedly.

Switching the SxS memory cards

When two memory cards are loaded, press the SLOT SELECT button (page 14) to switch memory cards.

Note

You cannot switch SxS memory cards during playback. Continuous playback of cards in slots A and B is not possible.

Switching to the AXS memory card

You can play the picture that is recorded on the AXS memory card in the AXS-R5/R7 by developing simply. To switch to the AXS memory card, press the SELECT button on the AXS-R5 or the PLAYBACK SELECT button on the AXS-R7. The playback signal is output from the output connector of the camcorder.

Note

When connecting the camcorder and AXS-R5, only EE* is output from the AUX OUT connector of the AXS-R5. Playback picture is not output. Playback picture is output from the camcorder.

* EE is not output while in the Slow & Quick Motion mode.

Clip (recording data)

When you stop recording, video, audio and subsidiary data from the start to end of the recording are recorded as a single clip on an SxS memory card.

Clip name

For each clip recorded with this camcorder, a clip is named by the naming mode that is set in “Clip Naming” (page 99) of the Media menu. The Shot Number and clip number are automatically incremented.

When storing the clip name by the “Cam ID + Reel#” naming mode (page 99), the clip name is created as follows:

- When there is already a clip name that is stored by the “Cam ID + Reel#” naming mode on the inserted AXS memory card, the new file inherits its information.

Examples:

When “B002C003_XXXXXXXX” is on the AXS memory card, the next created clip name is “B002C004_XXXXXXXX.” The Camera ID of “AXS Recorder” in the System menu is changed to “B,” and Reel Number is changed to “002.” The clip name on the information that is displayed during shooting flashes until the camera starts recording.

- When the inserted AXS memory card has no file, “1” is added to the Reel Number of the clip that was recorded last.

Examples:

When you record on empty card “2” after recording up to “D001CXXX_XXXXXXXX” on card “1,” the next created clip name is “D002C001_XXXXXXXX.” The clip name on the information that is displayed during shooting flashes until the camera starts recording.

- When you set the Camera ID and Reel Number of “Clip Naming” in the Media menu, that information is applied.

Examples:

When you change the Camera ID to “F” and Reel Number to “001” of the AXS memory card that is recorded up to “E003CXXX_XXXXXXXX,” the next clip name is “F001CXXX_XXXXXXXX.” When you change the Camera ID only, the Reel Number is changed to “001.”

When storing the clip name by the “Title” naming mode (page 99), the clip name is created from characters that are set in “Title Prefix” (1 to 46 characters) + clip number that is set in “Number Set” (0001 to 9999).

Maximum duration of a clip

The maximum clip length is 6 hours.

If you exceed the maximum clip length, a new clip will be automatically created. You can check the new clip on the thumbnail screen.

Changing Basic Settings

You can make changes to the settings based on the intended usage of the recorded video or recording conditions.

Electronic Shutter

Set the shutter speed (cache time).

When you set “Setting” in “Shutter” (*page 75*) of the Camera menu to “On,” the shutter speed that you specified with “Shutter” is turned on.

Note

When the viewfinder double speed drive function (*page 47*) is activated, the electronic shutter function is locked to on, and the shutter angle is limited up to 180 degrees.

Setting the shutter mode and speed

Select “Mode” and “Select” in “Shutter” (*page 75*) of the Camera menu, then set the speed in “Shutter Value.”

Shooting in slow shutter

The shutter speed is specified in the number of accumulated frames. This function allows you to obtain low-noise clear pictures in low light levels or surreal pictures with afterimages.

Set “Setting” in “Slow Shutter” (*page 76*) of the Camera menu to “On,” and specify the number of accumulated frames with “Number of Frames.”

Sensitivity/Gain/Color Temperature/White Balance

The setting items differ, depending on the shooting mode setting.

These items can be set on the setup menu and sub display.

While in “Cine EI” mode: Selecting the sensitivity (EI value) and color temperature

Set the sensitivity by using “Exposure Index” in “Gain” (*page 72*) of the Camera menu.

For the Cine EI mode, it is assumed that the RAW signal or output picture, for which MLUT is set to

off, is recorded as the main recorded signal.

Sensitivity for the main recorded signal is locked to standard sensitivity, and the picture brightness is changed in accordance with the EI value only for the output picture, for which MLUT is set to on.

You can check the processing result of sensitizing or desensitizing on post-production while shooting by using the picture, for which MLUT is set on.

You can set the following values for the sensitivity (EI value)

PMW-F5: 500EI, 640EI, 800EI, 1000EI, 1250EI, 1600EI, 2000EI, 2500EI, 3200EI, 4000EI, 5000EI, 6400EI, 8000EI

PMW-F55: 320EI, 400EI, 500EI, 640EI, 800EI, 1000EI, 1250EI, 1600EI, 2000EI, 2500EI, 3200EI, 4000EI, 5000EI

Select the color temperature from among “Preset 3200K” (tungsten), “4300K” (tungsten), and “5500K” (daylight), in “White” (*page 70*) of the Camera menu.

While in “Custom” mode: Selecting the sensitivity or gain, and color temperature or white balance

Select the sensitivity (ISO) or gain (dB) in “Gain” (*page 72*) of the Camera menu.

Select the color temperature or white balance in “White” of the Camera menu.

The color temperature can be selected for Memory A/Memory B from among “Preset 3200K” (tungsten), “4300K” (tungsten), and “5500K” (daylight), and you can select any color temperature by using “Color Temp.” in “White” (*page 70*) of the Camera menu.

For white balance, adjust automatically by using “Auto White Balance,” or adjust Memory A/Memory B by using “Color Temp. Balance,” “R Gain,” or “B Gain,” in “White” of the Camera menu.

Audio

To adjust the audio levels

When “CH-1 Audio Select/CH-2 Audio Select” in “Audio Level” (*page 86*) of the Audio menu is set to “Auto,” the audio recording levels are automatically adjusted.

To adjust the audio recording levels manually, set to “Manual.” Adjust the audio recording levels on “CH-1 Audio Level/CH-2 Audio Level” in “Audio Level” of the Audio menu.

Note

The recording level is locked for channels with AES/EBU signals selected for audio input.

Time Data

Setting the Timecode

Specify the timecode to be recorded with “Timecode” in the TC/UB menu (*page 94*).

Useful Functions

Assignable Buttons

The camcorder has four assignable buttons (*pages 11, 14*) to which you can assign various functions for convenience.

You can also assign the function to the RET button on the lens.

Changing functions

Use “Assignable Button” (*page 107*) in the System menu.

The assigned functions can be viewed on the Assignable button status screen (*page 12*).

Assigned functions

Function name	Function
Marker	Turning on/off the Center Marker, Safety Zone, Aspect Marker.
Zebra	Turning on/off the Zebra function.
Peaking	Turning on/off the Peaking function.
Display	Turning on/off the monitor display of status/setting value.
Video Signal Monitor	Switching the waveform indication for the output signal from SDI (Sub).
VF Focus Magnifier	Turning on/off the Focus Magnifier function of the viewfinder.
VF Mode	Switching viewfinder screen between color and mono.
Rec	Starting/stopping recording.
S&Q Motion	Turning on/off the Slow & Quick Motion.
Picture Cache Rec	Turning on/off the Picture Cache Rec function.
Rec Review	Performing the Rec Review function.
High/Low Key	Switching between High Key (monitoring display for high key blown-out highlights), Low Key (monitoring display for low key clipped blacks), and Off (normal display).
White Memory	Switching “White Switch” between Memory A and Memory B.

Function name	Function
VF High Contrast	Enhancing the contrast of the pictures on the viewfinder.
Color Bars	Turning the color bar on/off.

Slow & Quick Motion

When the main recorded signal is set to “AXS(R7/R5)” or “YPbPr,” and the system frequency and video format (*page 104*) are set as follows, you can set the recording frame rate and playback frame rate to different values.

Main recorded signal	Recording format	System frequency	Frame rate*
AXS(R7/R5)	4K reading (When recording on an AXS only)	23.98P/24P/ 25P/29.97P/ 50P/59.94P	1 to 60P, 120P
	2K reading (When recording on an AXS only)	23.98P/24P/ 25P/29.97P/ 50P/59.94P	1 to 240P**
YPbPr	XAVC 4K Class300	23.98P/24P/ 25P/29.97P/ 50P/59.94P	1 to 60P
	XAVC QFHD Class300	23.98P/25P/ 29.97P/50P/ 59.94P	1 to 60P
	XAVC 2048 × 1080P	23.98P/24P/ 29.97P/ 59.94P	1 to 180P*
	XAVC 1920 × 1080P	23.98P/ 29.97P/ 59.94P	1 to 150P*
		25P/50P	1 to 150P*

* Setting value is 1 to 60 when “High Frame Rate Mode” is set to “Off.”

** When recording on AXS and SxS simultaneously, the setting value is for SxS.

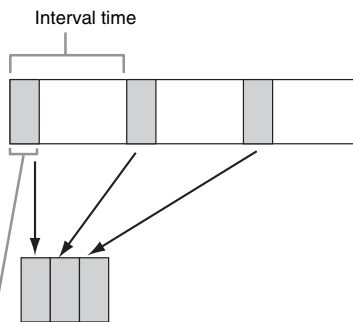
Notes

- Slow & Quick Motion mode cannot be used while recording, playing, or displaying thumbnail.
- Slow & Quick Motion mode cannot be used while the Slow Shutter mode.
- Audio cannot be recorded while in the Slow & Quick Motion mode.
- When “High Frame Rate Mode” is set to “2K Full Scan” and the frame rate is set to more than 66P, moiré may occur in high resolution areas of the picture. In this case, you can reduce moiré by attaching an optional CBK-55F2K Optical 2K Filter.

- When “High Frame Rate Mode” is set to other than “Off,” the camcorder cannot switch to the second card automatically even if a card becomes full.
- Slow & Quick Motion function is not possible in Interval Rec and Picture Cache mode. The camcorder exits Interval Rec and Picture Cache mode whenever you select Slow & Quick Motion mode. The camcorder exits Slow & Quick Motion mode automatically whenever you select Interval Rec or Picture Cache mode.

Recording Time-lapse Video (Interval Rec Function)

The camcorder’s Interval Rec function allows you to capture time-lapse videos to the camcorder’s internal memory. This function is an effective way to shoot slow-moving subjects. When “Setting” in “Interval Rec” (*page 95*) of the Recording menu is set to “On,” and you start recording, the camcorder automatically records a specified number of frames at a specified interval time.



Number of frames in one take

The Interval Rec function is available when the main recorded signal, the “Rec Control” setting (*page 98*) in the Recording menu, and the recording format are set to the following settings.

Main recorded signal	Rec Control	Recording format
AXS(R7/R5)	AXS	–
	SxS & AXS	XAVC 2048 × 1080P XAVC 1920 × 1080P
RGB	–	XAVC 2048 × 1080P XAVC 1920 × 1080P

Main recorded signal	Rec Control	Recording format
YPbPr	–	XAVC 4K Class480 XAVC 4K Class300 XAVC QFHD Class480 XAVC QFHD Class300 XAVC 2048 × 1080P XAVC 1920 × 1080P

Notes

- The Interval Rec function cannot be used at the same time as the Slow & Quick Motion or Picture Cache function. When you select Interval Rec mode, the Slow & Quick Motion and Picture Cache functions are disabled. When you select Slow & Quick Motion or Picture Cache mode, the Interval Rec function is disabled.
- The simultaneously recording function is not available in Internal Rec mode.
- Interval Rec settings cannot be changed during recording.
- The following are limitations for the Interval Rec function.
 - Audio signals will not be recorded.
 - You cannot perform the Rec Review function.
 - The signal will not be genlocked.

Starting to Record from Pre-stored Video (Picture Cache Function)

You can begin recording a specified number of seconds in advance by storing up to 30 seconds of video and audio data in the internal memory of the camcorder when you start recording. When you start recording after setting “Setting” in “Picture Cache Rec” (*page 95*) of the Recording menu to “On,” the camcorder records in advance of the specified time (Cache Rec Time).

The Picture Cache function is available for either of the following settings.

- The system frequency is set to 29.97/25/24/23.98, and the recording format is set to XAVC 4K Class300/XAVC QFHD Class300/XAVC 2048 × 1080P/XAVC 1920 × 1080P.
- The recording format is set to MPEG 1920 × 1080P/MPEG 1920 × 1080i/MPEG 1280 × 720P.
- When the AXS-R7 is attached to the camcorder, set “Main Operation” in “Base Setting” (*page 104*) to “AXS(R7/R5)” from the System menu.

The selected Picture Cache mode is retained until the setting is changed.

Notes

- The “Cache Rec Time” setting is restricted, depending on the system frequency, recording format, and recording media. For details, see *page 96*.
- Picture cache recording is not possible in Slow & Quick Motion and Interval Rec mode. The camcorder exits Slow & Quick Motion and Interval Rec mode whenever you select Picture Cache mode. The camcorder exits Picture Cache mode automatically whenever you select Slow & Quick Motion or Interval Rec mode.
- The data stored in picture cache memory is cleared when you change system settings, such as the recording format. Picture data from before the change is not recorded even if you start recording immediately after the change. The camcorder exits Picture Cache mode automatically.
- The simultaneously recording function and recording simultaneously on the AXS and the SxS are not available in Picture Cache mode.
- It is not possible to change the picture cache setting during recording.
- It is not possible to change the setting of the viewfinder double speed drive function during recording.

Simultaneously Recording

You can record the two sizes of pictures simultaneously on an SxS memory card in one slot. You can also record HD signal on the SxS memory card in the camcorder while recording picture and audio of RAW format on the AXS-R5/R7.

Note

While simultaneously recording, the camcorder cannot switch to the second card automatically even if a card becomes full.

Recording simultaneously on one memory card – MPEG2 Proxy function

For the PMW-F55, set “Setting” in “MPEG2 Proxy” (*page 97*) of the Recording menu to “On” while the recording format is set to XAVC 4K Class480/XAVC 4K Class300/XAVC QFHD Class480/XAVC QFHD Class300 59.94P/50P/29.97P/25P/23.98P, or SStP SR-SQ 444/SStP SR-SQ 422 59.94i/29.97P.

For the PMW-F5, by installing the optional CBKZ-55FX, the MPEG2 Proxy function is available while the recording format is set to XAVC 4K Class480/XAVC 4K Class300/XAVC QFHD Class480/XAVC QFHD Class300 59.94P/50P/29.97P/25P/23.98P.

The picture of XAVC 4K Class480/XAVC 4K Class300/XAVC QFHD Class480/XAVC QFHD

Class300 or SStP SR-SQ 444/SStP SR-SQ 422, and the picture signal of MPEG2 1920 × 1080 are recorded simultaneously on one SxS memory card.

The clip of XAVC 4K Class480/XAVC 4K Class300/XAVC QFHD Class480/XAVC QFHD Class300 or SStP SR-SQ 444/SStP SR-SQ 422 is recorded under the XDROOT/Clip directory on the SxS memory card, but the clip of MPEG2 1920 × 1080 is recorded under the XDROOT/Sub directory on the SxS memory card, and the suffix “S02” is added to the end of the clip name.

Notes

- This function cannot be used while in the Slow & Quick Motion, Interval Rec, or Picture Cache Rec mode.
- The MLUT setting is locked to “MLUT On” for the MPEG2 Proxy video that is recorded simultaneously when in the Cine EI mode.

Recording on the AXS and SxS memory simultaneously

Set “Setting” in “Rec Control” (page 98) of the Recording menu to “SxS & AXS,” while “Main Operation” in “Base Setting” (page 104) of the System menu is set to “AXS(R7/R5).”

You can simultaneously record pictures of RAW format and pictures with formats set by “Rec Format.”

Rec Review

You can review the last recorded clip on the screen (Rec Review) by assigning the Rec Review function to an assignable button (page 44).

When you stop recording and press the assigned button, the last 2 seconds of the clip are played. When you press and hold the button for more than 1 second, the camcorder starts to rewind from two seconds before of the last frame of the clip at 4x speed. When you release the button, the camcorder starts playback at that point.

Rec Review stops at the end of the clip, then resumes STBY (recording standby) status.

Note

The Setup menus cannot be operated during Rec Review.

Focus Magnifier

By pressing the FOCUS MAG button of the viewfinder (DVF-L350, DVF-EL100, DVF-L700) that is attached to the camcorder, you can expand the center part of the viewfinder, and it is easy to adjust the focus. After adjusting the focus, press the button again to returns to the normal (recording) screen.

It does not affect the recorded image or output signal in the focus magnifier mode.

False Color Display

You can perform the false color display on the viewfinder by pressing the SPARE button of the viewfinder (DVF-EL100, DVF-L700) that is attached to the camcorder.

For details about the false color display, refer to the operating instructions of the DVF-EL100 or DVF-L700.

Note

The false color display is available only when the “Gamma” setting for the video signal that is output to the viewfinder is set to “S-Log2.”

Viewfinder Double Speed Drive Function

If the system frequency is 23.98P, 24P, 25P, or 29.97P, the image may be blurred and hard to see because of low frame frequency when you shoot while swaying the camcorder to the right and the left.

In this case, you can decrease image blur and make it easier to see by activating the viewfinder double speed drive function.

To activate, set “Double Speed Drive” in “VF Setting” (page 91) of the VF menu to “On.”

Notes

- This function is not effective on the following settings.
 - System frequency is 59.94/50.
 - Recording format is SStP SR-SQ 444/SStP SR-Lite 422/SStP SR-SQ 422, ProRes 4444/ProRes 422 HQ/ProRes 422, DNxHD 220x/DNxHD 145.
 - “Setting” in “Slow Shutter” of the Camera menu is set to “On.”
 - “Setting” in “S&Q Motion” of the Camera menu is set to “On,” and the “Frame Rate” setting is 1 to 60P.

—When the AXS-R7 is attached, the recording format and frame rate are 4K 120P.

- When this function is effective and “Setting” in “S&Q Motion” of the Camera menu is set to “Off,” the electronic shutter function is locked to on, and the shutter angle is limited to 180 degrees.

Thumbnail Screens

When you press the Thumbnail button of the sub display (*page 17*), clips recorded on the SxS memory card are displayed as thumbnails on the screen.

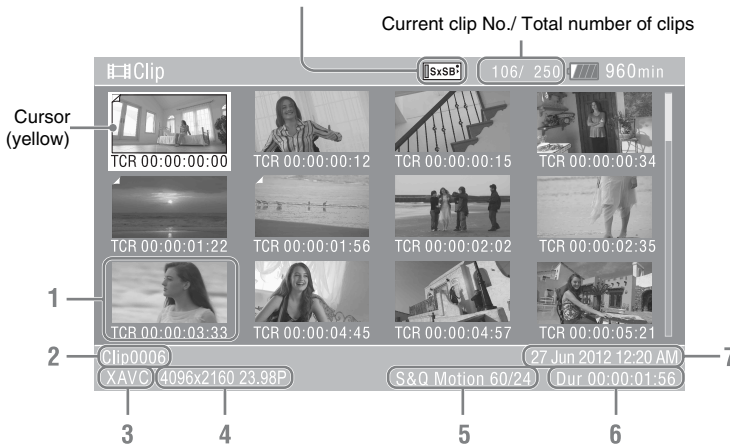
You can start playback from the clip selected on the thumbnail screen. The playback picture can be seen on the viewfinder screen and external monitors.

Press the Thumbnail button of the sub display to exit the thumbnail screen and return to the recording screen.

Configuration of the Screen

Information for the clip selected with the cursor are displayed at the bottom of the screen.

The icon of the current SxS memory card is highlighted, shading the nonselected one. (If the card is write-protected, a lock icon is displayed to the left.)



1. Thumbnail

The thumbnail image for each clip is an index frame from the clip. When recording, the first frame of a clip is automatically set as the index frame.

Below each thumbnail, the clip/frame information is displayed. You can change the displayed item on "Thumbnail Caption" in "Customize View" (*page 50*) of the thumbnail menu.

2. Clip name/title

The clip name or title of the selected clip is displayed.

3. File format

The file format of the selected clip is displayed.

4. Recording video format

5. Special recording information

If the selected clip was recorded in a special recording mode, the mode is displayed.

Clips recorded in Slow & Quick Motion display the frame rate to the right.

6. Duration of the clip

7. Creation date and time

Playing Clips

Playing the Selected and Subsequent Clips in Sequence

- 1 Turn the MENU dial (*page 11*) to move the cursor to the thumbnail image of the clip with which you wish to start playback.
- 2 Press the MENU dial.
Playback starts from the beginning of the selected clip.

Notes

- To start playback by pressing the MENU dial, set “Set Key on Thumbnail” in “Switch/Lamp” (*page 108*) of the System menu to “Play.”
- The playback picture may be momentarily distorted or frozen between clips. You cannot operate the camcorder during this condition.
- When you select a clip on the thumbnail screen and start playback, the playback picture at the beginning of the clip may be distorted. To start playback without distortion, pause playback once after starting it, press the Prev button on the sub display (VIEW-1) to return to the top of the clip, then restart playback.

Clip Operations

On the thumbnail screen, you can operate the clips or confirm the subsidiary data for clips using the thumbnail menu. The thumbnail menu appears when you press the OPTION button (*page 13*) on the thumbnail menu.

Operations of the Thumbnail Menu

Turn the MENU dial (*page 11*) to select a menu item, then press the MENU dial. Pressing the CANCEL/BACK button (*page 11*) restores to the previous condition. Pressing the OPTION button while the thumbnail menu is displayed turns the thumbnail menu off.

Notes

- When the SxS memory card is write-protected, some operations are unavailable.
- There may be items that cannot be selected, depending on the status when the menu is displayed.

Clip operation menu

Display Clip Properties

Displays the detailed information of a clip screen (*page 51*).

Copy MPEG2 Proxy (PMW-F55 and PMW-F5 + CBKZ-55FX)

Copy All Clips: Copies all the MPEG2 Proxy data to the destination media as a clip (*page 51*).

Delete Clip

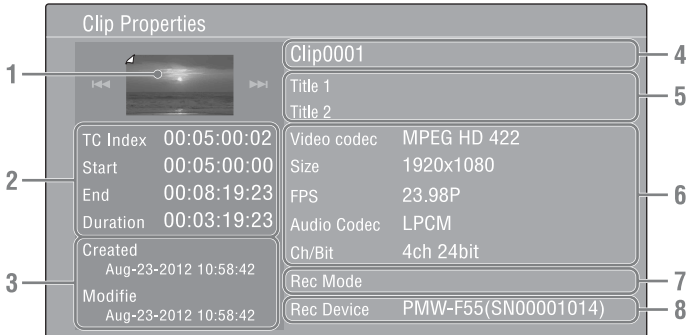
Select Clip: Deletes the selected clip (*page 52*).

Customize View

Thumbnail Caption: Changes the items that are displayed under the thumbnail screen. (*page 52*)

Displaying the Detailed Information of a Clip

Select “Display Clip Properties” from the thumbnail menu.



1. Image of the current clip

2. Timecode

TC Index: Timecode of the displayed frame
Start: Timecode at the recording starting point
End: Timecode at the recording ending point
Duration: Duration of the clip

3. Date of recording/modifying

4. Clip name

5. Clip title 1/2

6. Recording format

Video Codec: Video codec
Size: Picture size
FPS: Frame rate
Audio Codec: Audio codec
Ch/Bit: Number of the recorded audio channel/
audio recording bit

7. Special recording information

8. Recording device name

Copying MPEG2 Proxy Data (PMW-F55 and PMW-F5 + CBKZ-55FX)

You can copy all the MPEG2 Proxy data recorded on the clip to another SxS memory card as a clip. Each clip is copied to the destination SxS memory card and given the same name as the MPEG2 Proxy data with its suffix “S02” deleted.

Notes

- If there is another clip having the same name on the destination SxS memory card, the clip is copied under a name adding a single-digit number in parentheses to the end of the original clip name. The parenthetical number is the minimum value that does not exist in the destination memory card.
Examples:
ABCD0002(1) if ABCD0002 exists
ABCD0002(2) if ABCD0002(1) exists
ABCD0005(4) if ABCD0005(3) exists
- You cannot copy a file 1000 times or more if clips with the same clip name followed by parenthetical numbers (1) to (999) already exist on the card.
- A warning message is displayed if there is not sufficient space on the destination SxS memory card. Replace the SxS memory card with one with sufficient space.

Deleting Clips

You can delete clips from the SxS memory card. Select “Select Clip” from “Delete Clip” on the thumbnail menu.

You can select multiple clips to be deleted. Press the OPTION button (*page 13*) after selecting the clip to be deleted.

Changing Information on the Thumbnail Screen

You can change information of the clip/frame that is displayed under thumbnail.

Select the displayed item from “Thumbnail Caption” in “Customize View” on the thumbnail menu.

Date Time: Creation date or modified time

Time Code: Timecode

Duration: Duration

Sequential Number: Thumbnail number

Sub Display Operation

You can check the status of the camcorder, set basic settings for the camcorder, and operate playback on the sub display.

- CAMERA screen: Basic settings of the camcorder
- FILE screen: Loading the file
- AU/TC screen: Settings for audio or timecode
- VIEW screen: Playback and operation on the thumbnail screen

For details about the screen of the sub display, see “Sub Display Screen” (page 17) in “On-Screen Indications.”

Controls

Function buttons (page 14)

Switches the screen of the sub display.

If there are multiple screens for a function, press the function button repeatedly.

- CAMERA button
- FILE button
- AU/TC (audio/timecode) button
- VIEW button

Item button (page 14)

Selects the item of the sub display.

SEL/SET dial (MENU dial) (page 11)

When you turn it, the cursor moves in the corresponding direction, permitting you to select menu items or setting values.

Press the MENU dial to select the item.

CANCEL/BACK button (page 11)

To return to the previous layer of the menu. An uncompleted change is canceled.

Note

When the setup menu is being displayed by pressing the MENU button (page 13), or the status display is being displayed by pressing the STATUS button (page 12), you cannot operate other than the VIEW screen.

Setting the basic items

- 1 Press the function button to select the screen of the function to be set.
- 2 Press the item button to select the item to be set.
Setting value of the item that can be set is orange.
- 3 Turn the MENU dial to move the cursor to the item to be set.

FPS	Shutter	Color Temp
24FPS	1/180.0	3200K
Fix 23,98	320min	4096x2160
1-60FPS	> 00:00	23,98P
Over 60FPS	lot: C001	XAVC
AXS 60 min	SxSA 60 min	SxSB 60 min
Sensitivity	Gamma	
ISO 800	S-Log2	

- 4 Press the MENU dial to enter the selected item.

Using the sub display as the operation button

Press the VIEW button (page 14) to display the VIEW-1/VIEW-2 screen (page 18), then operate the displayed function with the item button. The cursor operation on the sub display is used on the setup menu (page 67) and the clip operation (page 50).

Sub Display Setting Items

The item names and its settings are listed below.

Note

When the CBK-55BK (EFP Style Buildup Kit) is attached to the camcorder, some operations and settings are limited.

CAMERA Screen

CAMERA-1

Item name	Setting
FPS	<p>Fix **:**: Turns the Slow & Quick motion mode off. (**:** is the value set on “Frequency” in “System Setting” of the System menu.)</p> <p>1-60FPS: Turns the Slow & Quick motion mode on, and sets the frame rate between 1 and 60P.</p> <p>1-60,120FPS: Turns the Slow & Quick mode on, and sets the frame rate between 1 and 60P, or 120P. (Displayed when the AXS-R7 is attached to the PMW-F55, the “Imager Scan Mode” in “Base Setting” from the System menu is set to “Normal,” and the “Setting” in “Rec Control” from the Recording menu is set to “AXS.”)</p> <p>Note</p> <p>When “High Frame Rate Mode” in “S&Q Motion” from the Camera menu is set to “Off,” 120FPS can be selected.</p> <p>Over 60FPS: Turns the Slow & Quick motion mode and the High Frame Rate mode on, and sets the frame rate of the more than 60P. (See <i>page 76</i> for the selectable item.)</p> <p>Variable: Turns the Slow & Quick motion mode on and sets the frame rate. (Displayed when set to “2K Center” or “2K Full” on “Imager Scan Mode” in “Base Setting” of the System menu.)</p>
Shutter	<p>Sets the electronic shutter speed and shutter angle.</p> <p>Select from following 11 types of items.</p> <p>Off: Turns the electronic shutter function off.</p> <p>Value of Step Shutter: Selects from 8 types of presets that are registered as Step Shutter. (You can change the preset value after selecting.)</p> <p>Continuous: Selects the available speed/angle. (See <i>page 75</i> for the selectable item.)</p> <p>SLS: Selects the slow shutter function. (Set the number of frames to accumulate after selecting.)</p> <p>When the CBK-55BK is attached</p> <p>The SHUTTER switch on the CBK-55BK takes priority.</p> <p>If the SHUTTER switch is set to OFF, “Value of Step Shutter” and “Continuous” cannot be selected.</p> <p>If the SHUTTER switch is set to ON, “Off” cannot be selected.</p>

Item name	Setting
Color Temp	<p>Sets the color temperature of the white balance. Preset 3200K/4300K/5500K: Sets the white balance to the preset value of color temperature 3200K/4300K/5500K. Memory A/Memory B: Sets the color temperature of the white balance that is stored on the white memory A or B.</p> <p>Note</p> <p>“Memory A”/“Memory B” cannot be selected when “Shooting Mode” (<i>page 104</i>) is set to “Cine EI.”</p> <p>When the CBK-55BK is attached</p> <p>The WHITE BAL switch on the CBK-55BK takes priority. When “Shooting Mode” (<i>page 104</i>) is set to “Custom,” “Preset 3200K/4300K/5500K,” and “Memory A/Memory B” cannot be changed on the sub display. If the WHITE BAL switch is set to PRST, “Memory A/Memory B” cannot be selected. If the WHITE BAL switch is set to A or B, only the color temperature of the white balance that is stored on the white memory on each Memory A/Memory B can be set. If “Shooting Mode” is set to “Cine EI,” the preset value can be selected from Preset 3200K/4300K/5500K for each position of the WHITE BAL switch.</p>
Sensitivity/Gain/ Exposure Index	<p>Sets the sensitivity/gain. The item name (Sensitivity/Gain) and setting value differ, depending on the “Mode” setting in “Gain” (<i>page 72</i>). (See <i>page 72</i> for the selectable item.) The item name becomes “Exposure Index” and sets the EI value when “Shooting Mode” (<i>page 104</i>) is set to “Cine EI.” (See <i>page 73</i> for the selectable item.) User Gamma: Selects the user gamma. (User1 / User2 / User3 / User4 / User5)</p> <p>When the CBK-55BK is attached</p> <p>You can select the setting value for each position (L/M/H) of the GAIN/EI switch on the CBK-55BK. The GAIN switch position is displayed on the left of the setting value.</p>
Gamma/High Latitude	<p>Sets the gamma category and gamma table. STD: Selects the standard gamma. STD1 DVW / STD2 $\times 4.5$ / STD3 $\times 3.5$ / STD4 240M / STD5 R709 / STD6 $\times 5.0$ HG: Selects the hyper gamma. HG1 3250G36 / HG2 4600G30 / HG3 3259G40 / HG4 4609G33 / HG7 8009G40 / HG8 8009G33 S-Log2: Selects S-Log2. S-Log3: Selects S-Log3.</p> <p>Note</p> <p>“High Latitude” is displayed when “Shooting Mode” (<i>page 104</i>) is set to “Cine EI.”</p>
MLUT	<p>Selects and sets LUT/Look Profile. (See <i>page 89</i> for the selectable item.)</p>
CAMERA-2	
Item name	Setting
Color Bars	<p>Turns the color bars on/off.</p>
Auto White	<p>Performs the auto white balance function. (This setting is available only when “White Switch” is set to “Memory A/Memory B.”)</p>
Auto Black	<p>Performs the auto black balance function.</p>
Sub&HDMI	<p>Selects whether to apply monitor LUT for the output image from SDI (Sub) and HDMI when “Shooting Mode” (<i>page 104</i>) is set to “Cine EI.”</p>
Viewfinder	<p>Selects whether to apply monitor LUT for the viewfinder image when “Shooting Mode” (<i>page 104</i>) is set to “Cine EI.”</p>
SDI (Sub) Disp.	<p>Select whether to output the character information and marker to the SDI (Sub) output.</p>

FILE Screen

FILE-1

Item name	Setting
All File Load 1 to 6	Loads the All file (1 to 6) from the SD card that is inserted into the SD card slot.

FILE-2

Item name	Setting
Scene Recall 1 to 5/ Standard	Loads the Scene file (1 to 5, or Standard) from the internal memory.

FILE-3

Item name	Setting
Lens Recall 1 to 6	Loads the Lens file (1 to 6) from the internal memory.

AU/TC (audio/timecode) Screen

AU/TC-1

Item name	Setting
MIC CH1 Ref	Select the reference input level when the AUDIO IN CH1 switch is set to MIC from -60 dB/-50 dB/-40 dB. When the CBK-55BK is attached The item name is changed to “Rear MIC1 Ref,” and sets the reference level when the AUDIO IN CH-1 switch on the rear of the CBK-55BK is set to MIC (select from -70 dB/-60 dB/-50 dB/-40 dB/-30 dB).
CH1 Input	Auto: Adjusts the recording level automatically. Manual: Adjust the recording level manually from -99 to +99. Note If the AES/EBU signal is selected for the audio input signal, the recording level is locked. When the CBK-55BK is attached This item does not appear because the setting of this item follows the settings of the AUDIO SELECT CH-1 switch and position of the LEVEL CH-1 knob on the CBK-55BK.
CH1 Select	Displays the input source for AUDIO IN CH1. When the CBK-55BK is attached The input source of AUDIO IN CH-1 on the rear of the CBK-55BK is displayed.
MIC CH2 Ref	Select the reference input level when the AUDIO IN CH2 switch is set to MIC from -60 dB/-50 dB/-40 dB. When the CBK-55BK is attached The item name is changed to “Rear MIC2 Ref,” and sets the reference level when the AUDIO IN CH-2 switch on the rear of the CBK-55BK is set to MIC (select from -70 dB/-60 dB/-50 dB/-40 dB/-30 dB).

Item name	Setting
CH2 Input	<p>Auto: Adjusts the recording level automatically. Manual: Adjust the recording level manually from -99 to +99.</p> <p>Note</p> <p>If the AES/EBU signal is selected for the audio input signal, the recording level is locked.</p> <p>When the CBK-55BK is attached</p> <p>This item does not appear because the setting of this item follows the settings of the AUDIO SELECT CH-2 switch and position of the LEVEL CH-2 knob on the CBK-55BK.</p>
CH2 Select	<p>Displays the input source for AUDIO IN CH2.</p> <p>When the CBK-55BK is attached</p> <p>The input source of AUDIO IN CH-2 on the rear of the CBK-55BK is displayed.</p>

AU/TC-2

Item name	Setting
Monitor CH	<p>Selects the audio channel that is output to the headphones and speaker. (See page 86 for the selectable item.)</p> <p>When the CBK-55BK is attached</p> <p>The status of the MONITOR switch on the CBK-55BK is displayed.</p>
Monitor Level	<p>Adjusts the monitor volume from 0 to 99.</p> <p>When the CBK-55BK is attached</p> <p>This item does not appear because the setting of the item is adjusted on the MONITOR knob on the CBK-55BK.</p>

AU/TC-3

Item name	Setting
Display	Switches the indication for the time data (Timecode/Duration).
Reset	Resets the timecode and counter to 00:00:00:00.
Set	Sets the timecode to the desired value.
Mode	<p>Sets the timecode mode.</p> <p>Preset (Ext): Starts the timecode from the specified value.</p> <p>Int. Regen (regeneration): Starts the timecode from that of the previous clip.</p>
Run	<p>Sets the condition for the timecode.</p> <p>Rec Run: Advances the timecode during recording only.</p> <p>Free Run: Keeps advancing regardless of the state of recording.</p>
TC Source	<p>Displays the external lock status for the timecode.</p> <p>Internal: The timecode is not locked when "S&Q Motion" is set to "Off" and timecode is set to "Preset (Ext-Lk)" and "Free Run."</p> <p>External: The timecode is locked when "S&Q Motion" is set to "Off" and timecode is set to "Preset (Ext-Lk)" and "Free Run."</p> <p>No indication: Other than above.</p>

Quick Menu Operation

By pressing the OPTION button while recording, standing by to record, or playback, you can display the quick menu on the sub display and operate it.

- Project category: Setting for the important items of the recording
- Monitoring category: Settings for the output format or output signal
- MLUT category: Setting for the monitor LUT
- Media category: Setting for the clip name or formatting memory
- Viewfinder category: Setting for the viewfinder
- Others category: Setting for the assignable buttons, etc.

Controls

OPTION button (page 13)

Displays the quick menu on the sub display.

Item button (page 14)

Selects the category of the quick menu.

SEL/SET dial (MENU dial) (page 11)

When turned, the cursor moves in the corresponding direction, permitting you to select setting items or setting values.

Press the MENU dial to select the item.

CANCEL/BACK button (page 11)

To return to the previous layer of the menu. An uncompleted change is canceled.

Note

When the setup menu is displayed by pressing the MENU button (page 13), you cannot operate the quick menu.

Setting the quick menu

- 1 Press the OPTION button to display the quick menu.
- 2 Press the item button to select the category to be set.
- 3 Turn the MENU dial to move the cursor to the setting item to be set.

In each setting item, the setting value is displayed.

For details about the setting items, see “Quick Menu Setting Items” (page 60).

Project	Monitoring	MLUT	
YPbPr(422)		S-Gamut3.Cine/SLog3	
23.98		SxS XAVC HD P	
1-60 FPS	4K	MPEG2 Proxy	Off
Over 60FPS 2K Center			
Media	Viewfinder	Others	

4 Press the MENU dial.

The selection screen of the setting value next to the selected item is displayed.

Project	Moni	Main Operation
YPbPr(422)		AXS(R7/R5)
23.98		RGB(444)
1-60 FPS	4K	YPbPr(422)
Over 60FPS 2K Center		
Media	Viewfinder	Others

5 Turn the MENU dial to move the cursor to the setting value.

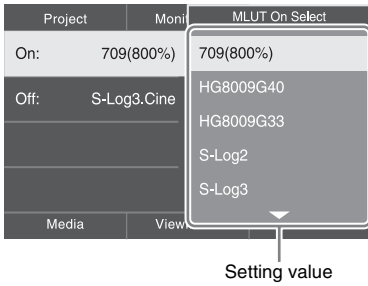
When setting “MLUT On Select” in the MLUT category, select the category first and then select the setting value.

When setting “MLUT On Select”

Project	Moni	MLUT On Select
On:	709(800%)	1D LUT >
Off:	S-Log3.Cine	Look Profile >
		User 3D LUT >
Media Viewfinder Others		

Category

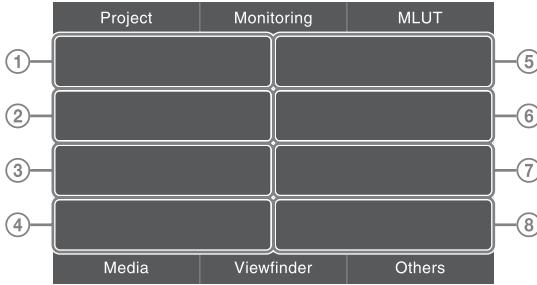




- 6 Press the MENU dial to enter the selected value.**

Quick Menu Setting Items

The item names and its settings are listed below.



Project category

Setting items	Setting values	Contents
① Main Operation	AXS(R7/R5) / RGB(444) / YPbPr(422)	Sets the operation mode for recording mainly. (When “Shooting Mode” (page 104) is set to “Custom,” “RGB(444)” or “YPbPr(422)” can be selected.)
② Project FPS	23.98 / 24.00 / 25.00 / 29.97 / 50.00 / 59.94	Selects the system frequency.
③ 1-60FPS Resolution	4K / 2K Center / 2K Full(2K Filter)	Sets the reading mode of the imager when the shooting Frame Rate is 1 to 60 FPS. 4K: Shoots with 4K Super 35 mm size. 2K Center: Shoots with the size equivalent to 2K Super 16 mm (center area of Super 35 mm). 2K Full(2K Filter): Shoots with 2K Super 35 mm size.
<p>Note</p> <ul style="list-style-type: none"> • Moiré may occur in high resolution areas of the picture when set to “2K Full(2K Filter).” In this case, you can reduce moiré by attaching an optional CBK-55F2K Optical 2K Filter. • When the AXS-R7 is attached to the PMW-F55 and “Setting” in “Rec Control” from the Recording menu is set to “AXS,” the set item becomes “1-60,120FPS Resolution.” 		

Setting items	Setting values	Contents
④ Over 60FPS Resolution	Off / 2K Center / 2K Full(2K Filter)	Sets the reading mode of the imager when the shooting Frame Rate is high speed shooting faster than 60P. Off: Select “Off” when performing high speed shooting with 60P or less or when recording 4K 120FPS with the AXS-R7. 2K Center: Performs high speed shooting with the size equivalent to 2K Super 16 mm (center area of Super 35 mm). 2K Full(2K Filter): Performs high speed shooting with the 2K Super 35 mm size.
Notes		
<ul style="list-style-type: none"> • Moiré may occur in high resolution areas of the picture. In this case, you can reduce moiré by attaching an optional CBK-55F2K Optical 2K Filter. • When “1-60FPS Resolution” is set to “2K Center,” this setting is locked to “2K Center.” When “1-60FPS Resolution” is set to “2K Full(2K Filter),” this setting is locked to “2K Full(2K Filter).” 		
⑤ Color Space	S-Gamut3/SLog3 / S-Gamut3.Cine/SLog3 / S-Gamut/SLog2 / Matrix	Sets the color space. (“Matrix” is available only when set to “Custom” in “Shooting Mode” (page 104) and “S-Gamut/SLog2,” “S-Gamut3.Cine/SLog3,” or “S-Gamut3/SLog3” is available when set to “Cine EI” in “Shooting Mode.”)
⑥ SxS Rec Format	Rec Off / XAVC 4K 480 / XAVC 4K 300 / XAVC QFHD 480 / XAVC QFHD 300 / XAVC 2K P / XAVC HD P / MPEG HD P / MPEG HD i / MPEG 720P / SSiP SR-SQ 444 / SSiP SR-SQ 422 / SSiP SR-Lite 422 / DNxHD 220x P / DNxHD 145 P / DNxHD 220x i / DNxHD 145 i / ProRes 4444 P / ProRes 422 HQ P / ProRes 422 P / ProRes 422 HQ i / ProRes 422 i	Sets the video format to be recorded on the SxS memory card. The settable format (page 105) differs depending on the following conditions: <ul style="list-style-type: none"> • Setting of “Main Operation” and “Project FPS” • PMW-F55, PMW-F5 + CBKZ-55FX or PMW-F5 • Whether CBK-55PD is installed or not
⑦ AXS Rec Format	RAW SQ / X-OCN ST / X-OCN LT	Sets the format of the AXS memory card that is inserted into the AXS-R7.
Note		
The format setting is displayed only when the AXS-R7 is attached.		
⑧ MPEG2 Proxy	On / Off	Turns the MPEG2 proxy function on/off. (see page 97)

Monitoring category

Setting items	Setting values	Contents
① SDI(Main) Format	4K Square / QFHD(3840) Square / 4K 2SI / QFHD(3840) 2SI / 2K P / HD P / HD i / HD 720P	Selects the SDI (Main) output format. The setting value (<i>page 118</i>) differs depending on the following conditions: <ul style="list-style-type: none"> • Settings of “Project FPS” and “SxS Rec Format” of the Project category • PMW-F55, PMW-F5 + CBKZ-55FX or PMW-F5
② SDI(Sub) Format	HD P / HD i / HD 720P / SD i / –	Selects the SDI (Sub) output format. The setting value differs depending on the settings of “Project FPS” and “SxS Rec Format” of the Project category and “SDI(Main) Format” of the Monitoring category. (<i>see page 118</i>)
③ HDMI Format	4K / QFHD(3840) / HD P / HD i / HD 720P / SD P / –	Selects the HDMI output format. The setting value (<i>page 122</i>) differs depending on the following conditions: <ul style="list-style-type: none"> • Settings of “Project FPS” and “SxS Rec Format” of the Project category • Settings of “SDI (Main) Format” of the Monitoring category • PMW-F55, PMW-F5 + CBKZ-55FX or PMW-F5
④ Monitoring Area	Letter Box / Edge Crop / Anamorphic x1.3 / Anamorphic x2.0	Sets the picture frame for YPbPr format video signal. Letter Box / Edge Crop: Sets the output conversion mode for 17:9 → 16:9 signal. (This setting is available only when “SxS Rec Format” of the Project category is set to “XAVC 4K” or “XAVC 2K.”) Anamorphic x1.3 / Anamorphic x2.0: Corrects the distortion of the images that are output from the video output when using an anamorphic lens. (This setting is available only when “Main Operation” of the Project category is set to “AXS(R7/R5).”)
Note		
The HD output signal when “Main Operation” of the Project category is set to “AXS(R7/R5)” and the internal recorded signal when “SxS Rec Format” of the Project category is set to other than “Rec Off” are equivalent to the “Letter Box” signal.		
⑤ OSD 4K/QFHD Output (PMW-F55 or PMW-F5 + CBKZ-55FX only)	On / Off	Selects whether to overlaps characters and markers on the SDI or HDMI output signal when the picture size of SDI or HDMI output is 4K/QFHD.
⑥ OSD SDI(Sub)	On / Off	Selects whether to overlaps characters and markers on the SDI (Sub) output signal when the SDI (Sub) output picture quality is less than HD.
⑦ OSD HDMI	On / Off	Selects whether to overlaps characters and markers on the HDMI output signal when the HDMI output picture quality is less than HD.

MLUT category

The MLUT category is not displayed when “Shooting Mode” (page 104) is set to “Custom.”

Setting items	Setting values	Contents
① MLUT On Select	1D LUT 709(800%) HG8009G40 HG8009G33 S-Log2 S-Log3 User1D-1 User1D-2 User1D-3 User1D-4 User1D-5 User1D-6 Look Profile LC-709 LC-709TypeA SLog2-709 Cine+ 709 User 3D LUT User3D-1 User3D-2 User3D-3 User3D-4	Selects the type and setting value of Look for Monitor LUT. (see page 89) 1D LUT: Outputs images using Preset LUT or User LUT. Look Profile: Outputs images that are suited for the start point of color grading or images that are close to print film quality. User 3D LUT: Outputs images using User 3D LUT.
② MLUT Off	S-Log2 / S-Log3.Cine / S-Log3.Wide	Displays the setting of “Color Space” during “MLUT OFF.”
⑤ SDI(Main)& SxS Rec	On / Off	Selects whether to apply Monitor LUT to the image that is output from SDI (Main) and recorded on an SxS memory card. (When “Main Operation” of the Project category is set to “RGB(444),” this setting is locked to “MLUT Off.”)
⑥ SDI(Sub)& HDMI	On / Off	Selects whether to apply Monitor LUT to the image that is output from SDI (Sub) and HDMI. (This setting is in accord with the “SDI(Main)&SxS Rec” setting, while the S&Q Motion or viewfinder double speed drive function is activated, or during AXS playback.*) * This setting for the HDMI output follows the “SDI(Main)&SxS Rec” setting when the SDI output format is set to 4K/QFHD and the HDMI output is set to 4K/QFHD. This setting is locked to “MLUT On” when the HDMI output is set to 2K/HD.
⑦ Viewfinder	On / Off	Selects whether to apply Monitor LUT to the viewfinder image. (This setting is in accord with the “SDI(Main)&SxS Rec” setting, while the S&Q Motion or viewfinder double speed drive function is activated, or during AXS playback.*) * This setting is locked to “MLUT On” when the SDI output format is set to 4K/QFHD.

Media category

Setting items	Setting values	Contents
① Camera ID	A to Z	Sets the camera ID when the clip naming mode (<i>page 99</i>) is set to “Cam ID + Reel#.”
② Reel#	001 to 999	Sets the numeric portion of the Reel Number when the clip naming mode (<i>page 99</i>) is set to “Cam ID + Reel#.”
③ Camera Position	C / L / R	Sets the first character portions of the Shot Number when the clip naming mode (<i>page 99</i>) is set to “Cam ID + Reel#.”
⑤ Format SxS(A)	Execute / Cancel	Formats the SxS memory card in the slot A. Execute : Executes format.
⑥ Format SxS(B)	Execute / Cancel	Formats the SxS memory card in the slot B. Execute : Executes format.
⑦ Format AXSM	Execute / Cancel	Formats the AXS memory card in the AXS-R5. (When the AXS-R5 is attached.) Execute : Executes format.
Format AXS(A)	Execute / Cancel	Formats the AXS memory card in slot A of the AXS-R7. (When the AXS-R7 is attached.) Execute : Executes format.
⑧ Format AXS(B)	Execute / Cancel	Formats the AXS memory card in slot B of the AXS-R7. (When the AXS-R7 is attached.) Execute : Executes format.

Note

This setting item only appears when the AXS-R7 is attached.

Viewfinder category

Setting items	Setting values	Contents
① Peaking	0 to +99	Sets the normal peaking level.
② Color	0 to +99	Sets the color peaking level.
③ Contrast	-99 to +99	Adjusts the contrast of pictures on the viewfinder.
④ Brightness	-99 to +99	Adjusts the brightness of pictures on the viewfinder.
⑤ Aspect	Auto / Full / Anamorphic x1.3 / Anamorphic x2.0	Selects the displayed area of pictures for the viewfinder. Anamorphic x1.3 / Anamorphic x2.0: Corrects the distortion of the images on the viewfinder screen when using an anamorphic lens. (This setting is available only when “Main Operation” of the Project category is set to “AXS(R7/R5).”)

Setting items	Setting values	Contents
⑥ Double Speed Drive	On / Off	Turns on/off the function that doubles the frame rate for the viewfinder display when “Project FPS” of the Project category is set to 23.98/24.00/25.00/29.97. (When this function is set to “On,” the settable range of the shutter angle (page 75) is limited to 180 degrees.)
		<p>Note</p> <p>This function is not available on the following settings.</p> <ul style="list-style-type: none"> • “Project FPS” of the Project category is set to 50.00 or 59.94. • “S&Q Motion” (page 76) is set to “On.” • “Slow Shutter” (page 76) is set to “On.” • “SxS Rec Format” of the Project category is set to SStP SR-SQ 444/SStP SR-SQ 422/SStP SR-Lite 422/DNxHD 220x/DNxHD 145/ProRes 4444/ProRes 422 HQ/ProRes 422. • During playback or displaying thumbnail.
⑦ OSD Viewfinder	On / Off	Selects whether to overlaps characters and markers on the viewfinder output signal.

Others category

Setting items	Setting values	Contents
① Assignable <1>	Off / Marker / Zebra / Peaking / Display / Video Signal Monitor / VF Focus Magnifier / VF Mode / Rec / S&Q Motion / Picture Cache Rec / Rec Review / High/Low Key / White Memory / VF High Contrast / Color Bars	Assign a function to the ASSIGN 1 button. (see page 107)
② Assignable <2>	Same as “Assignable <1>.”	Assign a function to the ASSIGN 2 button. (see page 107)
③ Assignable <3>	Same as “Assignable <1>.”	Assign a function to the ASSIGN 3 button. (see page 107)
④ Assignable <4>	Same as “Assignable <1>.”	Assign a function to the ASSIGN 4 button. (see page 107)
⑤ Lens Interface	Off / Type C / Type A / Type C+12P / Type A+12P	Selects the lens interface according to the connected lens type. When using an optional LA-FZB1/FZB2 mount adapter, select “Type C.” When using the lens mount adapter with Lens 12 pin (service parts), select “Type C+12P” or “Type A+12P.”
		<p>Note</p> <p>If changing this setting while the lens attached to the camcorder, turn the camcorder off, then turn it on.</p>
⑥ FAN Control	Auto / Minimum / Off in Rec	Sets the fan control mode of the camcorder and AXS recorder that is connected to the camcorder. (see page 108)

Setting items	Setting values	Contents
⑦ Forced Menu Disp.	VF / SDI/HDMI / Sub Display	<p>Selects the output that displays the setup menu by pressing MENU button even if each output in the OSD setting of the Monitoring category is set to off.</p> <p>VF: Viewfinder that is connected to the VF (viewfinder output) connector.</p> <p>SDI/HDMI: Monitor that is connected to the SDI OUT3, SDI OUT4 (Sub), or HDMI OUT connector.</p> <p>Sub Display: Sub display screen.</p> <p>Note</p> <p>The menu is not displayed on the sub display when this item is set to “VF” or “SDI/HDMI.”</p>

Setup Menu Operations

The Setup menu allowing you to perform various settings that are needed for recording and playing, appears on the viewfinder screen by pressing the MENU button. (You can display the Setup menu on the external video monitor or sub display.)

Menu controls

MENU button (page 13)

To turn the menu mode to use the setup menus on/off.

SEL/SET dial (MENU dial) (page 11)

When you turn the dial, the cursor moves up or down, permitting you to select menu items or setting values.

Press the MENU dial to select the highlighted item.

CANCEL/BACK button (page 11)

To return to the previous menu. An uncompleted change is canceled.

Up/Down/Left/Right buttons, SET button (page 18)

When you press the up/down/left/right buttons on the sub display (VIEW-2), the cursor moves in the corresponding direction, permitting you to select menu items or setting values.

Press the SET button to enter the highlighted item.

Note

In the focus magnifier mode (page 47), the setup menu cannot be used.

Setting the Setup menus

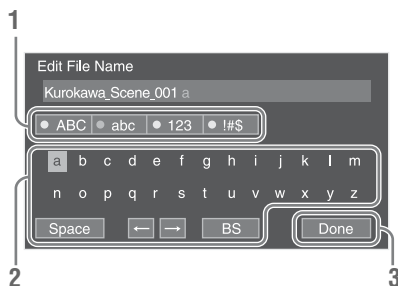
Turn the MENU dial to set the cursor to the item of the menu you wish to set, then press the MENU dial to select that item.

- The menu item selection area can show 9 lines at maximum. When all the selectable items cannot be displayed at one time, you can scroll the display up or down by moving the cursor.
- For items having a wide range of available values (example: -99 to +99), the available value area is not displayed. The current setting is highlighted instead, indicating that the setting is ready for change.

- When you select “Execute” for an execution item, the corresponding function is executed.
- When you select an item that you must confirm before execution, the menu display temporarily disappears, and a confirmation message is displayed. Follow the instructions of the message, and specify whether to execute or cancel.

Entering a character string

When you select an item for which a character string, such as a filename, is to be specified, the character input screen appears.



1 Select character type by turning the MENU dial, then press the MENU dial to enter.

ABC: Uppercase alphabetical
abc: Lowercase alphabetical
123: Numerical
!#\$: Special

2 Select a character from the selected character type.

The cursor moves to the next column.
Space: Inputs space on the position of the cursor.
←/→: Moves the cursor.
BS: Deletes a character on the left of the cursor.

3 Select “Done” after inputting characters.

The input characters are entered and the character input screen disappears.

User Menu

The User Menu consists of the items that are copied from the Camera, Paint, Audio, Video, VF, TC/UB, Recording, Media, File, Maintenance, and System menu. By registering the highly-used items in advance, you can easily recall the desired item.

You can register up to 20 items for the User Menu.

The following 10 items are registered for the default setting.

- System Setting (System menu)
- Base Setting (System menu)
- Rec Format (System menu)
- Rec Control (Recording menu)
- Output Format (Video menu)
- Monitor LUT (Video menu)
- Clip Naming (Media menu)
- VF Setting (VF menu)
- Assignable Button (System menu)
- Format Media (Media menu)

The User Menu consists of the following hierarchies.

First hierarchy	Second hierarchy	Third hierarchy	List of edit functions	Contents
User Menu	Registered item			Sets the item.
	Edit User Menu	Registered item	Delete	Deletes the item.
			Move	Moves the item.
			Edit Subitem	Edits the subitem.
		Add Item		Adds the item.
		Customize Reset		Returns the registration to the default.

The customized User Menu items can be stored on an SD Card as the User Menu Item file. You can load the User Menu items from the SD Card.

Note

You cannot register double items/subitems and change the name of items/subitems.

Editing the registered item

- 1 Display the User Menu of the setup menu.**

The registered items are displayed.
- 2 Select “Edit User Menu” from the User Menu.**
- 3 Select the item for editing.**

The list for edit functions is displayed.
- 4 Select the edit item.**

Delete: Deletes the selected item.
Move: Moves the selected item. Move the ► mark to the desired position.
Edit Subitem: Edits the subitem of the selected item. Select the subitem and decide registering/unregistering of the subitem by

performing the decision operation (selection/deselection of the checkbox). Select “OK” after setting.

Adding items

- 1 Select the User Menu > “Edit User Menu” > “Add Item.”**

Items that can be registered to the User Menu are displayed.
- 2 Select the item that you want to register.**

The subitem editing display of the selected item is displayed.
- 3 Select registering/unregistering of the subitem.**

Select the subitem and decide registering/unregistering of the subitem by performing the decision operation (selection/deselection of the checkbox).
- 4 Select “OK.”**

The added item is displayed on the User Menu.

Return the User Menu registration to the default setting

- 1** Select the User Menu > “Edit User Menu” > “Customize Reset.”
- 2** Select “Reset” > “Execute.”

Setup Menu List

The functions and available settings of menus are listed below.

The default settings set at the factory are shown in bold face (example: **Preset 3200K**).

Note

If the CBK-55BK (EFP Style Buildup Kit) is attached to the camcorder, some items are added, and some operations and settings are limited.

Camera Menu

Camera

Menu items	Sub items and setting values	Contents
White Setting for white balance	Auto White Balance	Performs the auto white balance function.
	Execute / Cancel	Execute: Executes this function. (This setting is available only when "White Switch" is set to "Memory A/Memory B.")
	White Switch	Sets the operation mode for "White."
	Preset 3200K / Preset 4300K / Preset 5500K / Memory A / Memory B	Preset 3200K/4300K/5500K: Set the white balance to the preset value of the color temperature 3200K/4300K/5500K. Memory A/Memory B: Adjusts the white balance manually. Perform the auto white balance function (one push). ("Memory A/Memory B" is available only when "Shooting Mode" in "Base Setting" of the System menu is set to "Custom.")
		When the CBK-55BK is attached When "Shooting Mode" (page 104) is set to "Custom," this item is available only when the WHITE BAL switch on the CBK-55BK is set to PRST. "Preset 3200K/Preset 4300K/Preset 5500K" can be selected.
	Color Temp. 1500K to 50000K (3200K)	Displays and sets the color temperature of white balance that is stored in the white memory. (This setting is available only when "White Switch" is set to "Memory A/Memory B.")
		When the CBK-55BK is attached This item is available only when "Shooting Mode" (page 104) is set to "Custom," and the WHITE BAL switch on the CBK-55BK is set to A or B, and displays/sets the color temperature of the white balance for each position (A or B).
	Color Temp. Balance -99 to +99 (±0)	Sets the color temperature more precisely, if the result is not as you desire, even though you set "Color Temp." (This setting is available only when "White Switch" is set to "Memory A/Memory B.")
		When the CBK-55BK is attached This item is available only when "Shooting Mode" (page 104) is set to "Custom," and the WHITE BAL switch on the CBK-55BK is set to A or B, and displays/sets the white balance value for each position (A or B).

Menu items	Sub items and setting values	Contents
	R Gain -99 to +99 (± 0)	Sets the R gain value of white balance that is stored in the memory. (This setting is available only when "White Switch" is set to "Memory A/Memory B.") When the CBK-55BK is attached This item is available only when "Shooting Mode" (page 104) is set to "Custom," and the WHITE BAL switch on the CBK-55BK is set to A or B, and displays/sets the white balance value for each position (A or B).
	B Gain -99 to +99 (± 0)	Sets the B gain value of white balance that is stored in the memory. (This setting is available only when "White Switch" is set to "Memory A/Memory B.") When the CBK-55BK is attached This item is available only when "Shooting Mode" (page 104) is set to "Custom," and the WHITE BAL switch on the CBK-55BK is set to A or B, and displays/sets the white balance value for each position (A or B).
	Shockless White Off / 1 / 2 / 3	Sets the speed of change in white balance when the white balance mode is switched. Off: Changes instantly. 1 to 3: Select a larger number to change the white balance more slowly through interpolation.
	Filter White Memory On / Off	Turns on/off "Filter White Memory" that sets the memory area of the white balance for each position number of the ND filter.
Offset White Setting for the offset white balance	Setting On / Off	Turns on/off "Offset White" that is for the auto white balance function (one push). (This setting is available only when "White Switch" is set to "Memory A/Memory B.")
	Offset <Memory> -99 to +99 (± 0)	Adjusts the volume of the offset white for the auto white balance function (one push). (This setting is available only when "White Switch" is set to "Memory A/Memory B.")
Black Setting for the black	Auto Black Balance Execute / Cancel	Performs the auto black balance function. Execute: Executes this function.
	Master Black -99 to +99 (± 0)	Sets the master black level. (This setting is available only when "Shooting Mode" in "Base Setting" of the System menu is set to "Custom.")
	R Black -99 to +99 (± 0)	Sets the R black level. (This setting is available only when "Shooting Mode" in "Base Setting" of the System menu is set to "Custom.")
	B Black -99 to +99 (± 0)	Sets the B black level. (This setting is available only when "Shooting Mode" in "Base Setting" of the System menu is set to "Custom.")

Camera

Menu items	Sub items and setting values	Contents
Flare Setting the flare correction	Setting On / Off	Turns the flare correction function on/off. (This setting is available only when “Shooting Mode” in “Base Setting” of the System menu is set to “Custom,” and this setting is locked to “Off” when “Shooting Mode” is set to “Cine EL.”)
	Master Flare -99 to +99 (±0)	Sets the user adjustment value for master flare of the flare correction that is caused by the camcorder.
	R Flare -99 to +99 (±0)	Sets the user adjustment value for R flare of the flare correction that is caused by the camcorder.
	G Flare -99 to +99 (±0)	Sets the user adjustment value for G flare of the flare correction that is caused by the camcorder.
	B Flare -99 to +99 (±0)	Sets the user adjustment value for B flare of the flare correction that is caused by the camcorder.
Gain Setting for the Gain	Mode ISO / dB	Selects the gain setting mode. (This setting is available only when “Shooting Mode” in “Base Setting” of the System menu is set to “Custom.”)
	Gain • PMW-F5 When “Mode” in “Gain” is set to “ISO,” and “Gamma Category” is set to “STD” or “HG (HG1/HG2/HG3/HG4)” ISO 800 to ISO 6400 When “Mode” in “Gain” is set to “ISO,” and “Gamma Category” is set to “HG (HG7/HG8)” ISO 1600 to ISO 12500 When “Mode” in “Gain” is set to “ISO,” and “Gamma Category” is set to “S-Log2” or “S-Log3” ISO 2000 to ISO 16000 • PMW-F55 When “Mode” in “Gain” is set to “ISO,” and “Gamma Category” is set to “STD” or “HG (HG1/HG2/HG3/HG4)” ISO 500 to ISO 4000 When “Mode” in “Gain” is set to “ISO,” and “Gamma Category” is set to “HG (HG7/HG8)” ISO 1000 to ISO 8000 When “Mode” in “Gain” is set to “ISO,” and “Gamma Category” is set to “S-Log2” or “S-Log3” ISO 1250 to ISO 10000 When “Mode” in “Gain” is set to “dB” -3dB / 0dB / 3dB / 6dB / 9dB / 12dB / 18dB	Sets the gain. (This setting is available only when “Shooting Mode” in “Base Setting” of the System menu is set to “Custom.”) When the CBK-55BK is attached The setting value that follows the position of the GAIN/EI switch on the CBK-55BK is displayed.

Menu items	Sub items and setting values	Contents
	Exposure Index	Sets the EI value.
	<ul style="list-style-type: none"> • PMW-F5 500EI to 8000EI (2000EI) • PMW-F55 320EI to 5000EI (1250EI) 	<p>(This setting is available only when “Shooting Mode” in “Base Setting” of the System menu is set to “Cine EI.”)</p> <p>Note</p> <p>The Highlight Latitude values for each EI value are follows:</p> <ul style="list-style-type: none"> • PMW-F5 500EI: 4.0E / 640EI: 4.3E / 800EI: 4.7E / 1000EI: 5.0E / 1250EI: 5.3E / 1600EI: 5.7E / 2000EI: 6.0E / 2500EI: 6.3E / 3200EI: 6.7E / 4000EI: 7.0E / 5000EI: 7.3E / 6400EI: 7.7E / 8000EI: 8.0E • PMW-F55 320EI: 4.0E / 400EI: 4.3E / 500EI: 4.7E / 640EI: 5.0E / 800EI: 5.3E / 1000EI: 5.7E / 1250EI: 6.0E / 1600EI: 6.3E / 2000EI: 6.7E / 2500EI: 7.0E / 3200EI: 7.3E / 4000EI: 7.7E / 5000EI: 8.0E
		<p>When the CBK-55BK is attached</p> <p>The setting value that follows the position of the GAIN/EI switch on the CBK-55BK is displayed.</p>
	Highlight Latitude 4.0E to 8.0E (6.0E)	Displays the Highlight Latitude value according to the “Exposure Index” setting.
	Gain/EI Switch <L> (Only when the CBK-55BK is attached)	Sets the L level of the GAIN/EI switch on the CBK-55BK.
	See “Gain” or “Exposure Index” for the selectable items. Default setting: Same value as the “Gain” setting for “Custom,” “800EI” for “Cine EI”	<p>Note</p> <p>When “Shooting Mode” in “Base Setting” of the System menu is set to “Custom,” the selectable items are same as the selections in “Gain.” When “Shooting Mode” in “Base Setting” of the System menu is set to “Cine EI,” the selectable items are same as the selections in “Exposure Index.”</p>
	Gain/EI Switch <M> (Only when the CBK-55BK is attached)	Sets the M level of the GAIN/EI switch on the CBK-55BK.
	See “Gain” or “Exposure Index” for the selectable items. Default setting: Double the value of the default setting of “Gain” for “Custom,” same value as the default setting of “Exposure Index” for “Cine EI”	<p>Note</p> <p>When “Shooting Mode” in “Base Setting” of the System menu is set to “Custom,” the selectable items are same as them in “Gain.” When “Shooting Mode” in “Base Setting” of the System menu is set to “Cine EI,” the selectable items are same as them in “Exposure Index.”</p>
	Gain/EI Switch <H> (Only when the CBK-55BK is attached)	Sets the H level of the GAIN/EI switch on the CBK-55BK.
	See “Gain” or “Exposure Index” for the selectable items. Default setting: Four times the value of the default setting of “Gain” for “Custom,” Double the value of the default setting of “Exposure Index” setting for “Cine EI”	<p>Note</p> <p>When “Shooting Mode” in “Base Setting” of the System menu is set to “Custom,” the selectable items are same as them in “Gain.” When “Shooting Mode” in “Base Setting” of the System menu is set to “Cine EI,” the selectable items are same as them in “Exposure Index.”</p>

Camera

Menu items	Sub items and setting values	Contents
	Remote Gain L -3dB / 0dB / 3dB / 6dB / 9dB / 12dB / 18dB	Sets the gain switch L level for RM (such as RM-B150, etc.). (This setting is available only when "Shooting Mode" in "Base Setting" of the System menu is set to "Custom.")
	Remote Gain M -3dB / 0dB / 3dB / 6dB / 9dB / 12dB / 18dB	Sets the gain switch M level for RM (such as RM-B150, etc.). (This setting is available only when "Shooting Mode" in "Base Setting" of the System menu is set to "Custom.")
	Remote Gain H -3dB / 0dB / 3dB / 6dB / 9dB / 12dB / 18dB	Sets the gain switch H level for RM (such as RM-B150, etc.). (This setting is available only when "Shooting Mode" in "Base Setting" of the System menu is set to "Custom.")
	Shockless Gain On / Off	Turns the shockless gain function on/off.

Menu items	Sub items and setting values	Contents
Shutter Specifying operating conditions of the electronic shutter	Setting On / Off	Turns the electronic shutter function on/off. When the CBK-55BK is attached The setting value that follows the position of the SHUTTER switch on the CBK-55BK is displayed.
	Mode Speed / Angle	Selects modes of the electronic shutter.
	Select Step / Continuous	Selects the setting method for the electronic shutter speed.
	Shutter Value	Sets the shutter speed/angle. Speed mode: Shutter speed Angle mode: Shutter angle. Setting value differs depending on the format setting and the "Select" setting in "Shutter."

When "Mode" is set to "Speed"

Format setting	Step	Continuous
59.94P	1/100 / 1/120 / 1/125 / 1/250 / 1/500 /	1/60 to 1/8000
59.94i	1/1000 / 1/2000 / 1/4000	1/60 to 1/7000
50P	1/60 / 1/100 / 1/120 / 1/125 / 1/250 /	1/50 to 1/7000
50i	1/500 / 1/1000 / 1/2000	
29.97P	1/50 / 1/60 / 1/120 / 1/125 / 1/250 /	1/30 to 1/8000
	1/500 / 1/1000 / 1/2000	
25P	1/30 / 1/50 / 1/60 / 1/100 / 1/250 /	1/25.02 to 1/7000
	1/500 / 1/1000 / 1/2000	When "S&Q Motion" is set to "On" 1/30 to 1/7000
24P	1/48 / 1/50 / 1/60 / 1/120 / 1/250 /	1/24.02 to 1/6000
	1/500 / 1/1000 / 1/2000	When "S&Q Motion" is set to "On" 1/30.02 to 1/6000
23.98P	1/48 / 1/50 / 1/60 / 1/120 / 1/250 /	1/23.99 to 1/6000
	1/500 / 1/1000 / 1/2000	When "S&Q Motion" is set to "On" 1/30.03 to 1/6000

When "Mode" is set to "Angle"

Format setting	Step	Continuous
59.94P	216.0 / 180.0 / 120.0 / 90.0 / 45.0 / 22.5 / 11.2 / 5.6	359.7 to 4.2
59.94i		
50P	300.0 / 180.0 / 150.0 / 90.0 / 45.0 / 22.5 / 11.2 / 5.6	
50i		
29.97P	216.0 / 180.0 / 120.0 / 90.0 / 45.0 / 22.5 / 11.2 / 5.6	
25P	300.0 / 180.0 / 150.0 / 90.0 / 45.0 / 22.5 / 11.2 / 5.6	
24P	180.0 / 172.8 / 144.0 / 90.0 / 45.0 / 22.5 / 11.2 / 5.6	
23.98P		

Step Select Execute / Cancel	Changes the preset value for "Shutter Value" (8 types) of the "Step" setting in "Select." Add: Adds a step shutter value. When 8 steps are already registered, delete a step shutter value by using "Delete" to make the space for adding the new step shutter value. Delete: Deletes a registered step shutter value. Step 1~8: Displays a registered step shutter value.
---------------------------------	---

Camera		
Menu items	Sub items and setting values	Contents
Slow Shutter Setting the slow shutter	Setting On / Off	Turns the slow shutter function on/off. (You cannot change the on/off setting while recording.)
	Number of Frames 2 / 3 / 4 / 5 / 6 / 7 / 8	Sets the number of frames to accumulate for the slow shutter.
Auto Exposure Setting the auto adjusting for the video level (This setting is available only for a lens that is compatible with the iris control function.)	Level +2.0 to -2.0 (± 0)	Sets the desired control level (bright/dark) for auto iris.
	Speed -99 to +99 (± 0)	Sets the control speed for auto iris.
	Clip High light On / Off	Turns on/off the function that makes dull the response for high luminance by ignoring the detection of high luminance area.
	Detect Window 1 to 6 (1)	Selects the type of the detect window.
	Detect Window Indication On / Off	Turns on/off the function that displays the frame of the detect window as a marker.
S&Q Motion Setting the Slow & Quick Motion function	Setting On / Off	Turns the Slow & Quick Motion function on/off. This setting is not available when "Rec Format" of the System menu is set to a setting other than the following. • XAVC 4K Class480/4K Class300/QFHD Class480/QFHD Class300/2048 × 1080/1920 × 1080 (This setting is not available when "Main Operation" in "Base Setting" of the System menu is set to "RGB.")
	High Frame Rate Mode Off / 2K Full Scan / 2K Center Scan	Sets the high speed shooting method more than 60P. Off: Select "Off" when performing high speed shooting with 60P or less or when recording 4K 120FPS with the AXS-R7. 2K Full Scan: Performs high speed shooting with the picture angle of Super 35 mm size. 2K Center Scan: Performs high speed shooting with half size of picture angle of Super 35 mm size on the center area of a picture.

Note

When "Imager Scan Mode" in "Base Setting" of the System menu is set to "2K Full," this setting is locked to "2K Full Scan." When "Imager Scan Mode" in "Base Setting" of the System menu is set to "2K Center," this setting is locked to "2K Center Scan."

Frame Rate Sets the frame rate for the Slow & Quick Motion recording.
1 to 240 (24)

Note

Available settings are follows.

Main Operation: AXS(R7/R5), Rec Control: AXS

Imager Scan Mode	High Frame Rate Mode	Setting value	Read picture size
Normal	Off	1 to 60, 120*	4K Super 35mm
	2K Full Scan	1 to 60	4K Super 35mm
		66, 72, 75, 80, 90, 96, 100, 110, 120, 125, 135, 144, 150, 160, 168, 175, 180, 240	2K Super 35mm
	Center Scan	1 to 60	4K Super 35mm
66, 72, 75, 80, 90, 96, 100, 110, 120, 125, 135, 144, 150, 160, 168, 175, 180, 240		2K Super 16mm equivalent	
2K Full	2K Full Scan	1 to 60, 66, 72, 75, 80, 90, 96, 100, 110, 120, 125, 135, 144, 150, 160, 168, 175, 180, 240	2K Super 35mm
2K Center	2K Center Scan	1 to 60, 66, 72, 75, 80, 90, 96, 100, 110, 120, 125, 135, 144, 150, 160, 168, 175, 180, 240	2K Super 16mm equivalent

* 120P: only when the AXS-R7 is attached to the PMW-F55

Main Operation: YPbPr

Imager Scan Mode	High Frame Rate Mode	Setting value	Read picture size
Normal	Off	1 to 60	4K Super 35mm
	2K Full Scan	1 to 60	4K Super 35mm
		66, 72, 75, 80, 90, 96, 100, 110, 120, 125, 135, 144, 150, 160**, 168**, 175**, 180**	2K Super 35mm
	Center Scan	1 to 60	4K Super 35mm
66, 72, 75, 80, 90, 96, 100, 110, 120, 125, 135, 144, 150, 160**, 168**, 175**, 180**		2K Super 16mm equivalent	
2K Full	2K Full Scan	1 to 60, 66, 72, 75, 80, 90, 96, 100, 110, 120, 125, 135, 144, 150, 160**, 168**, 175**, 180**	2K Super 35mm
2K Center	2K Center Scan	1 to 60, 66, 72, 75, 80, 90, 96, 100, 110, 120, 125, 135, 144, 150, 160**, 168**, 175**, 180**	2K Super 16mm equivalent

**Only when the system frequency is 23.98, 24, 29.97, or 59.94.

(This setting is not available when “Main Operation” in “Base Setting” of the System menu is set to “RGB.”)

Camera		
Menu items	Sub items and setting values	Contents
Color Bars Setting the Color Bars	Setting On / Off	Turns the color bars on/off.
	Type ARIB / SMPTE / 75% / 100%	Selects the type of color bar.
Noise Suppression Setting the noise suppression	Setting On / Off	Turns the noise suppression function on/off. (The default settings is “Off” when “Shooting Mode” in “Base Setting” of the System menu is set to “Cine EI.”)
	Level Low / Mid / High	Sets the noise suppression level.
Flicker Reduce Compensation	Mode Auto / On / Off	Set the operation of the Flicker-Reduction function.
	Frequency 50 Hz / 60 Hz	Set to the power supply frequency of the light source causing flicker.
Image Inversion Setting the image inversion function	Setting Normal / V Inv	Sets the image inversion.
Lens Interface Setting the lens interface	Setting Type C / Type A / Type C+12P / Type A+12P / Off	Selects the lens interface according to the connected lens type. When using an optional LA-FZB1/FZB2 mount adapter, select “Type C.” When using the lens mount adapter with Lens 12 pin (service parts), select “Type C+12P” or “Type A+12P.”
	Zoom Limit Off / Zoom Range 1 / Zoom Range 2	<p>Note</p> <p>If changing this setting while the lens attached to the camcorder, turn the camcorder off, then turn it on.</p> <p>Sets the limit for the zoom operation range of the power zoom.</p>

Paint Menu

The Paint menu settings are available only when “Shooting Mode” in “Base Setting” (page 104) of the System menu is set to “Custom.”

Paint		
Menu items	Sub items and setting values	Contents
Gamma Adjusting the gamma compensation	Setting On / Off	Turns the gamma compensation function on/off.
	Step Gamma 0.35 to 0.90 (0.45)	Sets the gamma compensation value in 0.05 steps.
	Master Gamma -99 to +99 (±0)	Adjusts the master gamma level.
	R Gamma -99 to +99 (±0)	Adjusts the R gamma level.
	G Gamma -99 to +99 (±0)	Adjusts the G gamma level.
	B Gamma -99 to +99 (±0)	Adjusts the B gamma level.
	Gamma Category STD / HG / User / S-Log2 / S-Log3	Select from among “STD” (standard gamma), “HG” (hyper gamma), “User” (user gamma), “S-Log2,” or “S-Log3.”
	Gamma Select	Selects the gamma table that is used for the gamma compensation.
	When “Gamma Category” is set to “STD”	STD1 DVW / STD2 ×4.5 / STD3 ×3.5 / STD4 240M / STD5 R709 / STD6 ×5.0
	When “Gamma Category” is set to “HG”	HG1 3250G36 / HG2 4600G30 / HG3 3259G40 / HG4 4609G33 / HG7 8009G40 / HG8 8009G33
When “Gamma Category” is set to “User”	User 1 / User 2 / User 3 / User 4 / User 5	
When “Gamma Category” is set to “S-Log2”	S-Log2	
When “Gamma Category” is set to “S-Log3”	S-Log3	
Black Gamma Adjusting the black gamma compensation	Setting On / Off	Turns the black gamma compensation function on/off. (This setting is available only when “Gamma Category” in “Gamma” of the Paint menu is set to “STD.”)
	Range LOW / HIGH	Selects the black gamma correction effective range. LOW: 0 to 3.6% HIGH: 0 to 28.8%
	Master Black Gamma -2 to +2 (±0)	Sets the master black gamma level.

Paint

Menu items	Sub items and setting values	Contents
Knee Adjusting the knee compensation	Setting On / Off	Turns the knee compensation function on/off. (This setting is available only when “Gamma Category” in “Gamma” is set to “STD.”)
	Point 75% to 109% (90%)	Sets the knee point.
	Slope -99 to +99 (±0)	Sets the knee slope.
	Knee Saturation On / Off	Turns the knee saturation function on/off.
	Knee Saturation Level -99 to +99 (±0)	Adjusts the knee saturation level.
White Clip Adjusting the white clipping	Setting On / Off	Turns the white clipping adjustment on or off. (This setting is available only when “Gamma Category” in “Gamma” is set to “STD” or “HG.”)
	Level	Sets the white clip level.
	When the system frequency setting is 59.94, 29.97, or 23.98. 90.0% to 109.0% (108.0%) When the system frequency setting is 50, 25, or 24. 90.0% to 109.0% (105.0%)	

Paint		
Menu items	Sub items and setting values	Contents
Detail Setting the detail adjusting	Setting On / Off	Turns the detail adjusting function on/off.
	Level -99 to +99 (± 0)	Adjusts the detail level.
	H/V Ratio -99 to +99 (± 0)	Adjusts the ratio between the H detail level and V detail level.
	Crispening -99 to +99 (± 0)	Adjusts the crispening level.
	Level Depend On / Off	Turns the level depend adjustment function on/off.
	Level Depend Level -99 to +99 (± 0)	Adjusts the level depend level.
	Frequency -99 to +99 (± 0)	Sets the center frequency of the H details signal. (Setting the center frequency higher decreases the details.)
	Knee Aperture On / Off	Turns the knee aperture compensation function on/off.
	Knee Aperture Level -99 to +99 (± 0)	Adjusts the knee aperture level.
	Limit -99 to +99 (± 0)	Adjusts both the white and black detail limiter.
	White Limit -99 to +99 (± 0)	Adjusts the white detail limiter.
	Black Limit -99 to +99 (± 0)	Adjusts the black detail limiter.
	V Black Limit -99 to +99 (± 0)	Adjusts the black V detail limiter.
	V Detail Creation NAM / Y / G / G+R	Selects the source signal to generate the V detail signal. NAM: Highest level signal of V detail signal that is generated by R signal, G signal, or B signal. Y: Y signal G: G signal G+R: Synthesized signal from G and R signal with a same ratio.
Aperture Setting the aperture compensation	Setting On / Off	Turns the aperture compensation function on/off.
	Level -99 to +99 (± 0)	Adjusts the aperture level.

Paint		
Menu items	Sub items and setting values	Contents
Skin Detail Adjusting the skin detail compensation	Setting On / Off	Turns the skin detail compensation function on/off.
	Area Detection Execute/Cancel	Detects the color for the skin detail compensation. Execute: Executes this function.
	Area Indication On / Off	Turn on/off the function that displays the zebra pattern in the target area for the skin detail compensation.
	Level -99 to +99 (± 0)	Adjusts the skin detail level.
	Saturation -99 to +99 (± 0)	Adjusts the color (saturation) level for the skin detail compensation.
	Hue 0 to 359	Adjusts the color hue for the skin detail compensation.
	Width 0 to 90 (40)	Adjusts the width of the color hue for the skin detail compensation.
	Matrix Setting of the Matrix correction	Setting On / Off
Preset Matrix On / Off		Turns the preset matrix function on/off.
Preset Select		Selects the preset matrix.
• PMW-F5: Standard / High Saturation / FL Light / Cinema / F55 709 Like		(12: ITU-2020 is selectable only when “SxS Format” in “Rec Format” of the System menu is “XAVC 4K Class480/XAVC 4K Class300” or “XAVC QFHD Class480/XAVC QFHD Class300”.)
• PMW-F55: 1: SMPTE240M / 2: ITU-709 / 3: SMPTE Wide / 4: NTSC / 5: EBU / 10: S-Gamut3.Cine Like / 11: S-Gamut3 Like / 12: ITU-2020		Note When 12: ITU-2020 is selected, ITU-R BT.2020's matrix correction is applied in the following two cases: <ul style="list-style-type: none"> to the output signal of the 4K or QFHD to the video signal recorded on XAVC 4K Class480/XAVC 4K Class300 or XAVC QFHD Class480/XAVC QFHD Class300 For the 2K/HD outputting signal or the viewfinder, the matrix correction equivalent to ITU-R BT.709 operates. However, when the playback picture of XAVC 4K Class480/XAVC 4K Class300 or XAVC QFHD Class480/XAVC QFHD Class300 which is set to the 12: ITU-2020 and recorded is output via 2K or HD, note that the video image does not have the correct colors.
User Matrix On / Off		Turns the user matrix correction function on/off.
Level -99 to +99 (± 0)		Adjusts the color saturation for the entire picture area.
Phase -99 to +99 (± 0)		Adjusts the color phase for the entire picture area.

Paint		
Menu items	Sub items and setting values	Contents
	User Matrix R-G -99 to +99 (± 0)	Finely adjusts the color phase for the entire picture area by independently setting each of the factors.
	User Matrix R-B -99 to +99 (± 0)	
	User Matrix G-R -99 to +99 (± 0)	
	User Matrix G-B -99 to +99 (± 0)	
	User Matrix B-R -99 to +99 (± 0)	
	User Matrix B-G -99 to +99 (± 0)	
Multi Matrix Settings for the multi-matrix correction	Setting On / Off	
	Area Indication On / Off	Displays a zebra pattern in the areas of the specified color for multi-matrix correction.
	Color Detection Execute/Cancel	Detects the target color on the screen for multi-matrix correction. Execute: Executes this function.
	Axis B / B+ / MG- / MG / MG+ / R / R+ / YL- / YL / YL+ / G- / G / G+ / CY / CY+ / B-	Specifies a color targeted by multi-matrix correction (16-axis mode).
	Hue -99 to +99 (± 0)	Sets the color hue of the color targeted by multi-matrix correction for each 16-axis mode.
	Saturation -99 to +99 (± 0)	Sets the saturation of the color targeted by multi-matrix correction for each 16-axis mode.

Audio Menu

Audio		
Menu items	Sub items and setting values	Contents
Audio Input Setting for audio inputs	Front MIC Select (Only when the CBK-55BK is attached)	Selects the front microphone sound from either monaural and stereo.
	Mono / Stereo	
Note This item cannot be selected when removing the audio connector panel.	Rear XLR Auto (Only when the CBK-55BK is attached)	Turn on/off the function that detects audio cable connection for the AUDIO IN connector on the rear of the CBK-55BK automatically.
	On / Off	On: Detects the audio cable connection automatically. REAR is selected for AUDIO CH-1 or AUDIO CH-2 input signal in spite of the setting of the AUDIO IN switch on the CBK-55BK. Off: Selects the input signal by following the setting of the AUDIO IN switch on the CBK-55BK.
	Front MIC CH1 Ref (Only when the CBK-55BK is attached)	Selects the reference input level of CH-1 for the front microphone on the CBK-55BK.
	-70dB / -60dB / -50dB / -40dB / -30dB	
	Front MIC CH2 Ref (Only when the CBK-55BK is attached)	Selects the reference input level of CH-2 for the front microphone on the CBK-55BK.
	-70dB / -60dB / -50dB / -40dB / -30dB	
	Rear MIC CH1 Ref (Only when the CBK-55BK is attached)	Selects the reference input level for when the AUDIO IN CH-1 switch on the rear of the CBK-55BK is set to MIC.
	-70dB / -60dB / -50dB / -40dB / -30dB	
	Rear MIC CH2 Ref (Only when the CBK-55BK is attached)	Selects the reference input level for when the AUDIO IN CH-2 switch on the rear of the CBK-55BK is set to MIC.
	-70dB / -60dB / -50dB / -40dB / -30dB	
	MIC CH1 Ref -60dB / -50dB / -40dB	Selects the reference input level for when the AUDIO IN CH1 switch is set to MIC.
		Note This item is not displayed when the CBK-55BK is attached.
	MIC CH2 Ref -60dB / -50dB / -40dB	Selects the reference input level for when the AUDIO IN CH2 switch is set to MIC.
		Note This item is not displayed when the CBK-55BK is attached.
	Line Input Ref (Only when the CBK-55BK is attached)	Selects the reference input level for when the AUDIO IN CH-1/CH-2 switch on the rear of the CBK-55BK is set to LINE.
	0dB / +4dB / -3dB / EBUL	

Audio		
Menu items	Sub items and setting values	Contents
	Limiter Mode Off / -6dB / -9dB / -12dB / -15dB / -17dB	Selects the limiter level when a loud signal is input while setting audio input level manually. When you do not use the limiter, select "Off."
	1KHz Tone on Color Bars On / Off	Turn the 1-kHz reference tone signal on/off.
	CH-1 Wind Filter On / Off	Turn the wind filter for the channel 1 on/off.
	CH-2 Wind Filter On / Off	Turn the wind filter for the channel 2 on/off.
	CH-3 Wind Filter (Only when the CBK-55BK is attached) On / Off	Turn the wind filter for the channel 3 on/off.
	CH-4 Wind Filter (Only when the CBK-55BK is attached) On / Off	Turn the wind filter for the channel 4 on/off.
	MIC CH1 Level (Only when the CBK-55BK is attached) Side1 / Front / Front+Side1	Select the knob for adjusting when recording the sound from the front microphone on the CBK-55BK to CH-1. Side1: LEVEL CH-1 knob on the audio operating section Front: MIC LEVEL knob on the operating section (front) Front+Side1: LEVEL CH-1 knob and MIC LEVEL knob (interlocked)
	MIC CH2 Level (Only when the CBK-55BK is attached) Side2 / Front / Front+Side2	Select the knob for adjusting when recording the sound from the front microphone on the CBK-55BK to CH-2. Side2: LEVEL CH-2 knob on the audio operating section Front: MIC LEVEL knob on the operating section (front) Front+Side2: LEVEL CH-2 knob and MIC LEVEL knob (interlocked)
	Rear1/WRR Level (Only when the CBK-55BK is attached) Side1 / Front / Front+Side1	Select the knob for adjusting the sound from the wireless microphone attached to the CBK-55BK or device connected to the AUDIO IN CH-1 connector on the rear of the CBK-55BK. Side1: LEVEL CH-1 knob on the audio operating section Front: MIC LEVEL knob on the operating section (front) Front+Side1: LEVEL CH-1 knob and MIC LEVEL knob (interlocked)
	Rear2/WRR Level (Only when the CBK-55BK is attached) Side2 / Front / Front+Side2	Select the knob for adjusting the sound from the wireless microphone attached to the CBK-55BK or device connected to the AUDIO IN CH-2 connector on the rear of the CBK-55BK. Side2: LEVEL CH-2 knob on the audio operating section Front: MIC LEVEL knob on the operating section (front) Front+Side2: LEVEL CH-2 knob and MIC LEVEL knob (interlocked)
	Audio CH3 Level (Only when the CBK-55BK is attached) Side3 / Front / Front+Side3	Select the knob for adjusting the audio level of sound recorded to channel 3. Side3: LEVEL CH-3 knob on the audio operating section Front: MIC LEVEL knob on the operating section (front) Front+Side3: LEVEL CH-3 knob and MIC LEVEL knob (interlocked)

Audio		
Menu items	Sub items and setting values	Contents
	Audio CH4 Level (Only when the CBK-55BK is attached) Side4 / Front / Front+Side4	Select the knob for adjusting the audio level of sound recorded to channel 4. Side4: LEVEL CH-4 knob on the audio operating section Front: MIC LEVEL knob on the operating section (front) Front+Side4: LEVEL CH-4 knob and MIC LEVEL knob (interlocked)
Audio Level Setting for audio recording level	CH-1 Audio Select Auto / Manual	The audio recording level is adjusted automatically when you set to "Auto."
	CH-2 Audio Select Auto / Manual	The audio recording level is adjusted automatically when you set to "Auto."
Notes <ul style="list-style-type: none"> This item cannot be selected when removing the audio connector panel. The recording level for the channel that the AES/EBU signal is selected is locked. 	CH-1 Audio Level -99 to +99 (± 0)	Adjusts the audio recording level when "CH-1 Audio Select" is set to "Manual."
	CH-2 Audio Level -99 to +99 (± 0)	Adjusts the audio recording level when "CH-2 Audio Select" is set to "Manual."
	AGC Spec -6dB / -9dB / -12dB / -15dB / -17dB	Selects the AGC level.
	CH1&2 AGC Mode Mono / Stereo	Selects auto adjusting method for the input level of an analog audio signal recorded to CH-1/CH-2 from "Mono" (performs for each channel) and "Stereo" (performs in stereo mode).
	CH3&4 AGC Mode (Only when the CBK-55BK is attached) Mono / Stereo	Selects auto adjusting method for the input level of an analog audio signal recorded to CH-3/CH-4 from "Mono" (performs for each channel) and "Stereo" (performs in stereo mode).
	Reference Level (Only when the CBK-55BK is attached) -20dB / -18dB / -16dB / -12dB / EBUL	Sets the reference output level for 1 kHz test signal.
Audio Output Setting for audio outputs	Output CH CH-1/CH-2 CH-3/CH-4	Selects audio output channels from either channels 1 and 2 or channels 3 and 4. Note This item cannot be set when the CBK-55BK is attached.
	Monitor CH When "Output CH" is set to "CH1/CH2" CH-1/CH-2 CH-1 CH-2 When "Output CH" is set to "CH3/CH4" CH-3/CH-4 CH-3 CH-4	Selects the audio channel(s) to be fed to the headphones and the built-in speaker. CH-1/CH-2 (CH-3/CH-4): Stereo CH-1 (CH-3): CH-1 (CH-3) only CH-2 (CH-4): CH-2 (CH-4) only Note This item cannot be set when the CBK-55BK is attached.
	Headphone Out Mono / Stereo	Selects the headphones output, "Mono" or "Stereo."
	Monitor Level 0 to 99	Adjusts the monitor level. Note This item cannot be set when the CBK-55BK is attached.

Audio		
Menu items	Sub items and setting values	Contents
	Reference Out (Only when the CBK-55BK is attached) +4dB / 0dB / -3dB / EBUL	Sets the output level for the reference input level of the LIVE AUDIO OUT connector on the CBK-55BK.
WRR Setting Setting related to the wireless receiver (Only when the CBK-55BK is attached)	WRR Valid CH Sel All / CH1	Selects whether to enable channels 1 and 2 of the wireless receiver ("All") or channel 1 only ("CH1"). All: Enables channels 1 and 2. CH1: Enables channel 1 only. (Select when using as the monaural wireless receiver.)
	WRR CH Select TX1 / TX2	Specifies the target channel for menu display. TX1: Displays channel 1. TX2: Displays channel 2.
	WRR Delay Comp On / Off	Enables delay compensation for wireless audio input. Off: Disables. On: Enables. (The audio in all E-E output is delayed by about 8 ms.)
	TX	Displays the name of the transmitter of which signals are being received on the channel selected by "WRR CH Select."
	TX Audio Peak --- / Peak	Displays whether the AF level of the transmitter of which signals are being received on the channel selected by "WRR CH Select" are peaking.
	TX Input Level --- / Mic / Line	Displays whether the input level of the transmitter of which signals are being received on the channel selected by "WRR CH Select" is set to MIC or LINE.
	TX ATT Level	Sets the ATT level of the transmitter of which signals are being received on the channel selected by "WRR CH Select." (The setting range varies depending on the transmitter.)
	TX LCF Frequency	Sets the low cut filter frequency of the transmitter of which signals are being received on the channel selected by "WRR CH Select." (The setting range varies depending on the transmitter.)
	TX System Delay Auto / 0.0ms to 8.0ms	Specifies the amount of audio delay for the channel selected by "WRR CH Select." Auto: Automatically adjusts the amount of delay so that the delay in the audio received from the wireless transmitter is zero. 0.0ms to 8.0ms: Sets the amount of anticipated wireless system delay, for cases in which several wireless systems are being used over a devices such as an audio mixer.

Video Menu

Video		
Menu items	Sub items and setting values	Contents
Output On/Off Setting for the video output	SDI (Sub) On / Off	Turns the SDI (Sub) output on/off.
	HDMI On / Off	Turns the HDMI output on/off.
Output Format Setting for the output format	SDI (Main)	Selects the SDI (Main) output format. The setting value differs, depending on the settings of “Frequency” in “System Setting” and “Rec Format” of the System menu (<i>page 118</i>).
	SDI (Sub)	Selects the SDI (sub) output format. The setting value differs, depending on the settings of “Frequency” in “System Setting” of the System menu and “SDI (Main)” in “Output Format” of the Video menu (<i>page 118</i>).
	HDMI	Selects the HDMI output format. The setting value differs, depending on the settings of “Frequency” in “System Setting” and “Rec Format” of the System menu (<i>page 122</i>).
	EXT IF	Displays the extend IF output signal.
	Test	Displays the video output signal.
Output Setting Setting for the output conversion mode	4K/2K to HD Conv. Letter Box / Edge Crop / Anamo ×1.3 / Anamo ×2	<p>Sets the picture frame for YPbPr format video signal.</p> <p>Letter Box / Edge Crop: Sets the output conversion mode for 17:9 → 16:9 signal. (This setting is available only when “SxS Format” in “Rec Format” of the System menu is set to “XAVC 4K Class480/XAVC 4K Class300” or “XAVC 2048 × 1080P.”)</p> <p>Anamo ×1.3 / Anamo ×2: Corrects the distortion of the images that are output from the video output when using an anamorphic lens. (This setting is available only when “Main Operation” in “Base Setting” of the System menu is set to “AXS(R7/R5).”)</p>
Note		The HD output signal when “Main Operation” in “Base Setting” of the System menu is set to “AXS(R7/R5),” or the internal recorded signal when “Setting” in “Rec Control” of the Recording menu is set to “SxS & AXS,” is “Letter Box”-equivalent signal.
SD Mode Letter Box / Edge Crop / Squeeze		Sets the output mode (aspect) for the SD signal.

Video		
Menu items	Sub items and setting values	Contents
Monitor LUT Setting for the monitor LUT	Category	Selects the type of Look for Monitor LUT.
	LUT / Look Profile / User 3D LUT	LUT: Outputs images using Preset LUT or User LUT. Look Profile: Outputs images that are suited for the start point of color grading or images that are close to print quality by selecting the Look number. User 3D LUT: Outputs images using User 3D LUT.
Note		
When "Color Space" in "Base Setting" of the System menu is set to "S-Gamut3.Cine/SLog3" or "S-Gamut3/SLog3," use a CUBE file created with "Input" set to "S-Gamut3.Cine/S-Log3," and when "Color Space" is set to "S-Gamut/SLog2," use a CUBE file created with "Input" set to "S-Gamut/SLog-2." Note that if you use a CUBE file created mistakenly with a different setting, the color will not be correct. For available CUBE files, see <i>page 101</i> .		
LUT Select	Selects the type of LUT when "Category" in "Monitor LUT" is set to "LUT."	Selects the type of LUT when "Category" in "Monitor LUT" is set to "LUT."
P1: 709 (800%)		709 (800%): Signals, for which the dynamic range is expanded up to 800%, by using ITU-R709 as a standard.
P2: HG8009G40		HG8009G40: Signals, for which the dynamic range is 800%, white limit is 109%, and use hyper gamma, for which video output with 18% gray card is 40%.
P3: HG8009G33		HG8009G33: Signals, for which the dynamic range is 800%, white limit is 109%, and use hyper gamma, for which video output with 18% gray card is 33%.
P4: S-Log2		S-Log2: Log signal with 1300% dynamic range, for which the post production process should be performed, and visibility for Video Monitor is considered. (This setting is available only when "Color Space" in "Base Setting" of the System menu is set to "S-Gamut/SLog2." The color space is set to S-Gamut.)
P5: S-Log3		S-Log3: Log signal with 1300% dynamic range, which is close to Cineon Log curve, and the characteristics of film. (This setting is available only when "Color Space" in "Base Setting" of the System menu is set to "S-Gamut3.Cine/SLog3" or "S-Gamut3/SLog3." The color space is set to S-Gamut3.)
U1		U1 to U6: Any LUT signal that is imported from an SD card.
U2		
U3		
U4		
U5		
U6		
Look Profile Select	Selects the type of Look Profile when "Category" in "Monitor LUT" is set to "Look Profile."	Selects the type of Look Profile when "Category" in "Monitor LUT" is set to "Look Profile."
1: LC-709		
2: LC-709typeA		
3: SLog2-709		
4: Cine+709		
User 3D LUT Select	Selects the 3D LUT signal that is imported from an SD Card.	Selects the 3D LUT signal that is imported from an SD Card.
User 3D-1 / User 3D-2 / User 3D-3 / User 3D-4		
SDI (Main) & Internal Rec MLUT On / MLUT Off	Selects whether to apply Monitor LUT to the image that is output from SDI (Main) and recorded on an SxS memory card. (When "Main Operation" in "Base Setting" of the System menu is set to "RGB," this setting is locked to "MLUT Off.")	Selects whether to apply Monitor LUT to the image that is output from SDI (Main) and recorded on an SxS memory card. (When "Main Operation" in "Base Setting" of the System menu is set to "RGB," this setting is locked to "MLUT Off.")

Video

Menu items	Sub items and setting values	Contents
	SDI (Sub) & HDMI MLUT On / MLUT Off	Selects whether to apply Monitor LUT to the image that is output from SDI (Sub) and HDMI. (This setting is in accord with the “SDI (Main) & Internal Rec” setting, while the S&Q Motion or viewfinder double speed drive function is activated, or during AXS playback.)* * This setting for the HDMI output follows the “SDI (Main) & Internal Rec” setting when the SDI output format is set to 4K/QFHD and the HDMI output is set to 2K/HD. This setting is locked to “MLUT On” when the HDMI output is set to 2K/HD.
	Viewfinder MLUT On / MLUT Off	Selects whether to apply Monitor LUT to the viewfinder image. (This setting is in accord with the “SDI (Main) & Internal Rec” setting, while the S&Q Motion or viewfinder double speed drive function is activated, or during AXS playback.)* * This setting is locked to “MLUT On” when the SDI output format is set to 4K/QFHD.
Output Display Setting for the output signal	VF Out On / Off	Selects whether to overlaps characters and markers on the viewfinder output signal.
	4K/QFHD SDI/HDMI Out (PMW-F55 only) On / Off	Selects whether to overlaps characters and markers on the SDI or HDMI output signal when the picture size of SDI or HDMI output is 4K/QFHD.
	HD/SD SDI (Sub) Out On / Off	Selects whether to overlaps characters and markers on the SDI (Sub) output signal when the SDI (Sub) output picture quality is less than HD.
	HD/SD HDMI Out On / Off	Selects whether to overlaps characters and markers on the HDMI output signal when the HDMI output picture quality is less than HD.
	Forced Menu Disp VF / SDI/HDMI / Sub Display	Selects the output that displays the menu by pressing MENU even if the Output Display setting for each output is set to off. VF: Viewfinder that is connected to the VF (viewfinder output) connector. SDI/HDMI: Monitor that is connected to the SDI OUT3, SDI OUT4 (Sub), or HDMI OUT connector. Sub Display: Sub display screen.
		Note The menu is not displayed on the sub display when this item is set to “VF” or “SDI/HDMI.”

VF Menu

When there is a button or dial that corresponds to the menu item on the attached viewfinder, that item is not available.

VF		
Menu items	Sub items and setting values	Contents
VF Setting Setting the viewfinder	Color -99 to +99 (±0)	Adjusts the color of pictures on the viewfinder.
	Contrast -99 to +99 (±0)	Adjusts the contrast of pictures on the viewfinder.
	Brightness -99 to +99 (±0)	Adjusts the brightness of pictures on the viewfinder.
	Color Mode Color / B&W	Selects the display mode of the viewfinder while E-E display/recording.
	Aspect Auto / Full / Anamo ×1.3 / Anamo ×2	Selects the displayed area of pictures for the viewfinder. Anamo ×1.3 / Anamo ×2: Corrects the distortion of the images on the viewfinder screen when using an anamorphic lens. (This setting is available only when “Main Operation” in “Base Setting” of the System menu is set to “AXS(R7/R5).”)
	Double Speed Drive On / Off	Turns on/off the function that doubles the frame rate for the viewfinder display when the system frequency is 23.98, 24, 25, or 29.97. (When this function is set to “On,” the settable range for “Shutter Value” in “Shutter” of the Camera menu is limited to 180 degrees for the shutter angle.)
	<div style="background-color: #333; color: white; padding: 2px; text-align: center;">Notes</div> <p>This function is not available on the following settings.</p> <ul style="list-style-type: none"> • System frequency is 50 or 59.94. • “Setting” in “S&Q Motion” of the Camera menu is set to “On.” • “Setting” in “Slow Shutter” of the Camera menu is set to “On.” • Recording format is set to SStP SR-SQ 444/SStP SR-Lite 422/SStP SR-SQ 422/DNxHD 220x/DNxHD 145/ProRes 4444/ProRes 422 HQ/ProRes 422. • During playback or displaying thumbnail. • When the AXS-R7 is attached, the recording format and frame rate are 4K 120P. 	
Peaking Setting the peaking function	Setting On / Off	Turns the peaking function on/off.
	Peaking Type Normal / Color	Selects the peaking type. Normal: Normal peaking. Color: Color peaking.
	Frequency Normal / High	Selects the peaking frequency from “Normal” (normal frequency) or “High” (high frequency) during normal peaking.
	Normal Peaking Level 0 to 99 (50)	Sets the normal peaking level.
	Color B&W / Red / Yellow / Blue	Selects the color of the peaking signal when “Peaking Type” is set to “Color.”
	Color Peaking Level 0 to 99 (50)	Sets the color peaking level.

Menu items	Sub items and setting values	Contents
Marker Setting the marker indications	Setting All / VF / SDI/HDMI / Off	Turns all marker indications on the viewfinder on/off.
	Color White / Yellow / Cyan / Green / Magenta / Red / Blue	Sets the marker color.
	Center Marker 1 / 2 / 3 / 4 / Off	Selects the center marker type when displaying the center marker. Select "Off" to turn off the center marker.
	Safety Zone On / Off	Turns the safety zone marker on/off.
	Safety Area 80% / 90% / 92.5% / 95%	Selects the size (ratio to the entire screen) of the safety zone marker.
	Aspect Marker Line / Mask / Off	Selects the aspect marker. Line: To show white lines Mask: To lower the video signal level of areas outside the marker range. Off: To not display.
	Aspect Select 4:3 / 13:9 / 14:9 / 15:9 / 16:9 / 17:9 / 1.66:1 / 1.85:1 / 2.35:1 / 2.4:1	Select the ratio of the aspect marker.
	Aspect Mask 0 to 15 (12)	When "Aspect Marker" is set to "Mask," select the brightness of images outside the aspect marker.
	Aspect Safety Zone On / Off	Turns the aspect safety zone marker on/off.
	Aspect Safety Area 80% / 90% / 92.5% / 95%	Selects the size (ratio to the entire screen) of the aspect safety zone marker.
	User Box On / Off	Turns the box cursor indication on/off.
	User Box Width 3 to 479 (240)	Sets the width of the rectangle for the user box.
	User Box Height 3 to 269 (135)	Sets the height of the rectangle for the user box.
	User Box H Position -476 to 476 (0)	Sets the horizontal position of the user box.
	User Box V Position -266 to 266 (0)	Sets the vertical position of the user box.
	100% Marker On / Off	Turns 100% marker on/off.
Zebra Setting the zebra pattern	Setting On / Off	Turns the zebra function on/off.
	Zebra Select 1 / 2 / Both	Select the zebra pattern(s) (Zebra 1, Zebra 2, or both of Zebra 1 and Zebra 2) to be displayed.
	Zebra1 Level 0% to 107% (70%)	Sets the display level of zebra 1.
	Zebra1 Aperture Level 1% to 20% (10%)	Sets the aperture level of zebra 1.
	Zebra2 Level 0% to 109% (100%)	Sets the display level of zebra 2.

Menu items	Sub items and setting values	Contents
Display On/Off	Setting	Turns all the indications of the viewfinder GUI on/off.
Selecting the items to be displayed	On / Off	
	Shutter Setting	Selects the item to be displayed on the viewfinder.
	On / Off	
	ND Filter Position	<div style="background-color: #cccccc; padding: 2px;">Notes</div> <ul style="list-style-type: none"> • “Video Signal Monitor” is available only when the HD signal can be output from SDI (Sub), “4K/2K to HD Conv.” in “Output Setting” of the Video menu is set to “Letter Box,” and “Aspect” in “VF Setting” of the VF menu is set to “Auto” or “Full.” • For the Waveform display of Video Signal Monitor, there is the scale at 0%, 25%, 50%, 75%, and 100% of the video level. • Video Signal Monitor is not displayed on the viewfinder when outputting a video signal that is different from the signal of SDI (Sub) to the viewfinder.
	On / Off	
	Gain Setting	
	On / Off	
	Rec/Play Status	
	On / Off	
	Color Temp.	
	On / Off	
	Frame Rate / Interval	
	On / Off	
	Battery Remain	
	On / Off	
	Timecode	
	On / Off	
	Audio Level Meter	
	On / Off	
	Media Status	
	On / Off	
	Focus Position	
	Meter / Feet / Off	
	Iris Position	
	On / Off	
	Zoom Position	
	On / Off	
	AE Mode	
	On / Off	
	White Balance Mode	
	On / Off	
	SDI Rec Control	
	On / Off	
	Rec Format	
	On / Off	
	Gamma	
	On / Off	
	Timecode Lock	
	On / Off	
	Wi-Fi Condition	
	On / Off	
	Video Signal Monitor	
	Off / Waveform / Vector / Histogram	
	Clip Name	
	On / Off	
	Focus Assist Indicator	
	On / Off	

VF**Menu items Sub items and setting values Contents**

Focus Area Marker

On / **Off**

Clip Number

On / Off

Notice Message

On / Off

WRR RF Level

On / **Off****TC/UB Menu****TC/UB****Menu items Sub items and setting values Contents****Timecode**

Setting the timecode

Mode

Preset (Ext-Lk) / Int Regen

Selects the timecode mode.

Preset: To start the timecode from the specified value

Regen (regeneration): To start the timecode by continuing the timecode of the previous clip.

Run

Rec Run / Free Run

Rec Run: To advance the timecode during recording only.

Free Run: The timecode keeps advancing regardless of the state of recording.

Setting

Sets the timecode to a desired value.

SET: Sets the value.

Reset

Execute / Cancel

Resets the timecode to 00:00:00:00.

Execute: Execute this function.

TC Format

DF / NDF

Selects the timecode format.

DF: Drop frame

NDF: Non drop frame

TC Display

Setting the time data indication

Display Select

Timecode / Duration

Switches the time data indication.

Recording Menu

Recording

Menu items	Sub items and setting values	Contents
Interval Rec	Setting	Turns the Interval Rec function on/off.
Setting the Interval Rec function	On / Off	(This setting is available when "Main Operation" in "Base Setting" of the System menu is set to "AXS(R7/R5)" and "Setting" in "Rec Control" of the Recording menu is set to "AXS" or when "SxS Format" in "Rec Format" of the System menu is set to "XAVC 4K Class480"/"XAVC 4K Class300"/"XAVC QFHD Class480"/"XAVC QFHD Class300"/"XAVC 2048 × 1080P"/"XAVC 1920 × 1080P")
	Interval Time	Sets the interval for Interval Rec.
	1 to 10 / 15 / 20 / 30 / 40 / 50 sec 1 to 10 / 15 / 20 / 30 / 40 / 50 min 1 / 2 / 3 / 4 / 6 / 12 / 24 hour	
	Number of Frames	Specifies the number of frames to record in one Interval Rec take. When "SxS Format" in "Rec Format" of the System menu is set to XAVC 50P or 59.94P: 2 / 6 / 12 frames When "SxS Format" in "Rec Format" of the System menu is set to XAVC 23.98P, 24P, 25P, 29.97P, 50i, or 59.94i: 1 / 3 / 6 / 9 frames
Picture Cache Rec	Setting	Turns the Picture Cache Rec function on/off.
Setting the Picture Cache Rec function	On / Off	Only available under the following circumstances. <ul style="list-style-type: none"> When the AXS-R7 is attached to the camcorder and "Main Operation" in "Base Setting" from the System menu is set to "AXS(R7/R5)" and "Setting" in "Rec Control" from the Recording menu is set to "AXS." When "Main Operation" in "Base Setting" from the System menu is set to "YPbPr" or "RGB," and the system frequency is set to "29.97"/"25"/"24"/"23.98," and the recording format is set to "XAVC 4K Class300"/"XAVC QFHD Class300"/"XAVC 2048 × 1080 P"/"XAVC 1920 × 1080 P" When "Main Operation" in "Base Setting" from the System menu is set to "YPbPr" or "RGB," and the recording format is set to "MPEG 1920 × 1080 P"/"MPEG 1920 × 1080 i"/"MPEG 1280 × 720 P"

Recording

Menu items Sub items and setting values Contents

Cache Rec Time Sets the accumulated time to the picture cache memory (going back time when starting cache rec).
0-2sec / 2-4sec / 4-6sec /
 6-8sec / 8-10sec / 13-15sec /
 22-24sec / 28-30sec

Recording to the SxS memory card

System menu settings		Cache Rec Time					
“Frequency” in “System Setting”	“SxS Format” in “Rec format”	0-2sec	2-4sec	4-6sec	6-8sec	8-10sec	13-15sec
59.94, 50	XAVC 4K Class300	-	-	-	-	-	-
	XAVC QFHD Class300	-	-	-	-	-	-
	XAVC 2048 × 1080 P	-	-	-	-	-	-
	XAVC 1920 × 1080 P	-	-	-	-	-	-
	MPEG 1920 × 1080 i	○	○	○	○	○	○
	MPEG 1280 × 720 P	○	○	○	○	○	○
	SSiP SR-SQ 422	-	-	-	-	-	-
	DNxHD 220x HD i	-	-	-	-	-	-
	DNxHD 145 HD i	-	-	-	-	-	-
	ProRes 422 HQ HD i	-	-	-	-	-	-
ProRes 422 HD i	-	-	-	-	-	-	
29.97, 25, 23.98	XAVC 4K Class480	-	-	-	-	-	-
	XAVC 4K Class300	○	-	-	-	-	-
	XAVC QFHD Class480	-	-	-	-	-	-
	XAVC QFHD Class300	○	-	-	-	-	-
	XAVC 2048 × 1080 P	○	○	○	○	-	-
	XAVC 1920 × 1080 P	○	○	○	○	-	-
	MPEG 1920 × 1080 P	○	○	○	○	○	○
	SSiP SR-SQ 444	-	-	-	-	-	-
	SSiP SR-SQ 422	-	-	-	-	-	-
	SSiP SR-Lite 422	-	-	-	-	-	-
	DNxHD 220x HD P	-	-	-	-	-	-
	DNxHD 145 HD P	-	-	-	-	-	-
	ProRes 4444 HD P	-	-	-	-	-	-
	ProRes 422 HQ HD P	-	-	-	-	-	-
ProRes 422 HD P	-	-	-	-	-	-	
24	XAVC 4K Class480	-	-	-	-	-	-
	XAVC 4K Class300	○	-	-	-	-	-
	XAVC 2048 × 1080 P	○	○	○	○	-	-
	SSiP SR-SQ 444	-	-	-	-	-	-
	SSiP SR-SQ 422	-	-	-	-	-	-
	SSiP SR-Lite 422	-	-	-	-	-	-
	ProRes 4444 HD P	-	-	-	-	-	-
	ProRes 422 HQ HD P	-	-	-	-	-	-
ProRes 422 HD P	-	-	-	-	-	-	

Recording

Menu items Sub items and setting values Contents

Recording to the AXS memory card

System menu settings			Cache Rec Time							
“AXS Format” in “Rec format”	“Imager Scan Mode” in “Base Setting”	“Frequency” in “System Setting”	0-2sec	2-4sec	4-6sec	6-8sec	8-10sec	13-15sec	22-24sec	28-30sec
RAW SQ	Normal	59.94	○	○	○	–	–	–	–	–
		50	○	○	○	○	–	–	–	–
		29.97	○	○	○	○	○	○	–	–
		25	○	○	○	○	○	○	○	–
		24	○	○	○	○	○	○	○	–
		23.98	○	○	○	○	○	○	○	–
	2K Full / 2K Center	–	○	○	○	○	○	○	○	○
X-OCN ST	Normal	59.94	○	○	○	○	○	–	–	–
		50	○	○	○	○	○	○	–	–
		29.97	○	○	○	○	○	○	○	○
		25	○	○	○	○	○	○	○	○
		24	○	○	○	○	○	○	○	○
		23.98	○	○	○	○	○	○	○	○
	2K Full / 2K Center	–	○	○	○	○	○	○	○	○
X-OCN LT	Normal	59.94	○	○	○	○	○	○	○	–
		50	○	○	○	○	○	○	○	○
		29.97	○	○	○	○	○	○	○	○
		25	○	○	○	○	○	○	○	○
		24	○	○	○	○	○	○	○	○
		23.98	○	○	○	○	○	○	○	○
	2K Full / 2K Center	–	○	○	○	○	○	○	○	○

MPEG2 Proxy

Setting the MPEG2 proxy function

Setting On / Off

Turns the MPEG2 proxy function on/off.

(PMW-F55:

This setting is available only when “Frequency” in “System Setting” of the System menu is set to “59.94”/“50”/“29.97”/“25”/“23.98” and “SxS Format” in “Rec Format” of the System menu is set to “XAVC 4K Class480”/“XAVC 4K Class300”/“XAVC QFHD Class480”/“XAVC QFHD Class300,” or “Frequency” in “System Setting” of the System menu is set to “29.97” and “SxS Format” in “Rec Format” of the System menu is set to “SSiP SR-SQ 444”/“SSiP SR-SQ 422.”

PMW-F5 + CBKZ-55FX:

This setting is available only when “Frequency” in “System Setting” of the System menu is set to “59.94”/“50”/“29.97”/“25”/“23.98” and “SxS Format” in “Rec Format” of the System menu is set to “XAVC 4K Class480”/“XAVC 4K Class300”/“XAVC QFHD Class480”/“XAVC QFHD Class300.”)

Recording

Menu items	Sub items and setting values	Contents
Rec Control Setting the recording control function	Setting SxS & AXS / AXS	Selects the recording target (only external recording (AXS memory), or both external recording (AXS memory) and recording to an SxS memory card in the camcorder) when “Main Operation” in “Base Setting” of the System menu is set to “AXS(R7/R5).” Note Recording is not performed if the AXS memory disables recording even if “SxS & AXS” is set.
SDI Rec Control Setting the SDI recording control function	Setting Off / On	Turns on/off this function that controls recording/stop recording of the external device by the SDI output signal.

Media Menu

This menu is not available when the media is not loaded.

Media

Menu items	Sub items and setting values	Contents
Update Media Updating a memory	Media (A) Execute / Cancel	Updates the managerial file on the SxS memory card in the slot A. Execute: Updates the file.
	Media (B) Execute / Cancel	Updates the managerial file on the SxS memory card in the slot B. Execute: Updates the file.
	AXS Memory Execute / Cancel	Updates the managerial file on the AXS memory card. (When the AXS-R5 is attached.) Execute: Updates the file.
	AXS(A) Execute / Cancel	Updates the managerial file on the AXS memory card in slot A of the AXS recorder. (When the AXS-R7 is attached.) Execute: Updates the file.
	AXS(B) Execute / Cancel	Updates the managerial file on the AXS memory card in slot B of the AXS recorder. (When the AXS-R7 is attached.) Execute: Updates the file.

Media		
Menu items	Sub items and setting values	Contents
Format Media Formatting a memory	Media (A) Execute / Cancel	Formats the SxS memory card in the slot A. Execute: Executes format.
	Media (B) Execute / Cancel	Formats the SxS memory card in the slot B. Execute: Executes format.
	SD card Execute / Cancel	Formats the SD card. Execute: Executes format.
	AXS Memory Execute / Cancel	Formats the AXS memory card. (When the AXS-R5 is attached.) Execute: Executes format.
	AXS(A) Execute / Cancel	Formats the AXS memory card in slot A of the AXS recorder. (When the AXS-R7 is attached.) Execute: Executes format.
	AXS(B) Execute / Cancel	Formats the AXS memory card in slot B of the AXS recorder. (When the AXS-R7 is attached.) Execute: Executes format.
	Clip Naming Setting for the clip name	Mode Cam ID + Reel# / Title
Camera ID A to Z		Sets the camera ID when "Mode" is set to "Cam ID + Reel#."
Reel Number 001 to 999		Sets the numeric portion of the Reel Number when "Mode" is set to "Cam ID + Reel#."
Camera Position C / L / R		Sets the first character part of the Shot Number when "Mode" is set to "Cam ID + Reel#."
Title Prefix		Sets the title part of the clip name when "Mode" is set to "Title." (Default setting is the unique ID for the model. Unique ID for the model: Lower three digits of the serial number.) (Input characters on the character input screen (page 67).
Number Set 0001 to 9999		Sets the number part of the clip name when "Mode" is set to "Title."

File Menu

File		
Menu items	Sub items and setting values	Contents
All File Setting for the All file	Load SD Card	Loads the All file from the SD card that is inserted into the SD card slot.
	Save SD card	Stores the All file onto the SD card that is inserted into the SD card slot.
	File ID	Names the All file.
Scene File Setting for the Scene file (This setting is available only when “Shooting Mode” in “Base Setting” of the System menu is set to “Custom.”)	Recall Internal Memory	Loads the Scene file from the internal memory.
	Store Internal Memory	Stores the Scene file on the internal memory.
	Load SD Card	Loads the file from the sub memory card.
	Save SD Card	Stores the file on the sub memory card.
	File ID	Names the Scene file.
User Menu Item Setting for the User Menu Item file	Load SD Card	Loads the User Menu Item file from the SD card that is inserted into the SD card slot.
	Save SD Card	Stores the User Menu Item file onto the SD card that is inserted into the SD card slot.
	File ID	Names the User Menu Item file.
User Gamma Setting for user gamma file	Current Settings	Displays the name of the current user gamma file on the internal memory.
	Load SD Card	Loads the gamma table data (user gamma file) on an SD card that is made by user, to the internal memory. When using the user gamma file that is created on CvpFileEditor™ V4.2, store the file on the following directory of an SD card. PRIVATE\SONY\PROCAMERA\AHD_CAM
	Reset	Resets the user gamma file on the internal memory to the default value.
	1 / 2 / 3 / 4 / 5 / All	1 to 5: Selected file
	Default value	All: All files
2: S-Log2		
3: 709 (800%)		
4: 709 (800%)		
5: 709 (800%)		
Monitor LUT Setting for monitor LUT file	Current Settings	Displays 6 user LUT names that are registered in the internal memory.
	Load SD card	Loads the LUT data that is created by user on an SD card (user LUT file) to the internal memory. The user LUT file that is created on RAW Viewer is stored on the following directory of an SD card. PRIVATE\SONY\PROCAMERA\PMWF55_F5
	1 / 2 / 3 / 4 / 5 / 6	
	Reset	Resets the user LUT data in the internal memory to the default value of “709(800%).”
	1 / 2 / 3 / 4 / 5 / 6 / All	1 to 6: Selected file All: All data

File		
Menu items	Sub items and setting values	Contents
Monitor 3D LUT	Current Settings	Displays the current user Monitor 3D LUT name in the internal memory.
Setting for monitor 3D LUT file	Load SD card 1 / 2 / 3 / 4	<p>Loads the 3D LUT data that is created by the user on an SD card (user 3D LUT file) to the internal memory.</p> <p>The camcorder can import the CUBE file (*.cube) of 17 or 33 lattices that is created by Catalyst Browse, RAW Viewer or BMD's Da Vinci Resolve*.</p> <p>* Checked on Resolve V9.0, V10.0 and V11.0</p> <p>When creating a CUBE file with Catalyst Browse and RAW Viewer, select options in the "Source" setting on Catalyst Browse and in the "Input" setting on RAW Viewer according to the "Color Space" setting in "Base Setting" of the camcorder's System menu. When "S-Gamut3.Cine/SLog3" or "S-Gamut3/SLog3" is set for using "Color Space" in the camcorder, select "S-Gamut3.Cine/S-Log3" in the "Source"/"Input" setting, and when "S-Gamut2/SLog2" is set for using "Color Space" in the camcorder, select "S-Gamut/S-Log2" in the "Source"/"Input" setting. When exporting a CUBE file, set "Format" to "Resolve."</p> <p>Store the created user 3D LUT file on the following directory of an SD card.</p> <p>PRIVATE\SONY\PRO\CAMERA\PMWF55_F5</p>
	Reset 1 / 2 / 3 / 4 / All	<p>Resets the user 3D LUT data in the internal memory to the default value of "LC-709."</p> <p>1 to 4: Selected file All: All data</p>

File		
Menu items	Sub items and setting values	Contents
Lens File Setting for the lens file (This setting is available only when “Shooting Mode” in “Base Setting” of the System menu is set to “Custom.”)	Recall Internal Memory	Loads the lens file from the internal memory.
	Store Internal Memory	Stores the lens file on the internal memory.
	Load SD Card	Loads the lens file from the sub memory card.
	Save SD Card	Stores the lens file on the sub memory card.
	File ID	Names the lens file.
	File Source	Displays the selected file number.
	Clear Lens Offset Execute / Cancel	Clear the lens file. Execute: Execute clearing.
	Lens Auto Recall Off / On (Lens Name) / On (Serial Number)	Sets whether to load the corresponding lens file automatically when the lens can be specified by lens communication.
		Note
		This function is available only when supplying power to the lens. (This function is not available after attaching/detaching the lens during supplying power to the lens.)
	Lens Serial Number	Displays the serial number of the lens that is attached to the camcorder, for lenses compatible with lens communication.
	Lens Name	Displays the lens model name when it can be obtained by lens communication.
	Lens Manufacturer	Displays the lens manufacturer name when it can be obtained by lens communication.
	Lens Center H -40 to +40 (± 0)	Sets the horizontal position of the center marker to the lens file.
	Lens Center V -40 to +40 (± 0)	Sets the vertical position of the center marker to the lens file.
	Flare R -99 to +99 (± 0)	Sets the user adjusting value of the R flare correction that is caused by the lens to the lens file.
	Flare G -99 to +99 (± 0)	Sets the user adjusting value of the G flare correction that is caused by the lens to the lens file.
	Flare B -99 to +99 (± 0)	Sets the user adjusting value of the B flare correction that is caused by the lens to the lens file.
	White Offset R -99 to +99 (± 0)	Sets the R ch correction value of the white balance offset by lens to the lens file.
	White Offset B -99 to +99 (± 0)	Sets the B ch correction value of the white balance offset by lens to the lens file.
Shading Ch Select Red / Green / Blue	Selects the channel for the white shading correction that is caused by the lens.	
Shading H SAW -99 to +99 (± 0)	Sets the Saw white shading correction value (caused by the lens) of the selected channel by “Shading Ch Select” and horizontal direction to the lens file.	
Shading H PARA -99 to +99 (± 0)	Sets the Para white shading correction value (caused by the lens) of the selected channel by “Shading Ch Select” and horizontal direction to the lens file.	
Shading V SAW -99 to +99 (± 0)	Sets the Saw white shading correction value (caused by the lens) of the selected channel by “Shading Ch Select” and vertical direction to the lens file.	
Shading V PARA -99 to +99 (± 0)	Sets the Para white shading correction value (caused by the lens) of the selected channel by “Shading Ch Select” and vertical direction to the lens file.	

Maintenance Menu

Maintenance

Menu items	Sub items and setting values	Contents
APR Executing APR	APR Execute / Cancel	Executes APR (Auto Pixel Restoration: auto adjusting of the image sensor).
Test Saw Setting the test signal output	Setting On / Off	Turns the test signal on/off.
Camera Config Detail settings for the camera	RM Common Memory On / Off	<p>Sets whether to share the settings of when connecting the remote control unit and using the camcorder alone.</p> <p>Note</p> <p>This item cannot be selected when connecting the remote control unit.</p>
	HD/2K Modulation High / Low	<p>Sets the video resolution of the HD/2K signal that is converted from the 4K/QFHD signal.</p> <p>High: High resolution that focuses details Low: Resolution equivalent to a conventional HD camera (such as F35, PMW-F3, etc.)</p> <p>Note</p> <p>This setting is for the HD/2K recording signal or HD/2K output signal when shooting while “Imager Scan Mode” is set to “Normal,” or the HD/2K output signal when playing the clip of XAVC 4K Class480/XAVC 4K Class300/XAVC QFHD Class480/XAVC QFHD Class300 or AXS memory (this setting is also applied to the viewfinder output signal).</p>

System Menu

System

Menu items	Sub items and setting values	Contents
System Setting	Frequency 59.94 / 50 / 29.97 / 25 / 24 / 23.98	Selects the system frequency.
Base Setting	Shooting Mode Custom / Cine EI	Selects the shooting mode.
	Main Operation YPbPr / RGB / AXS(R7/R5)	Sets the operation mode for recording mainly. (When “Shooting Mode” in “Base Setting” of the System menu is set to “Custom,” “YPbPr” or “RGB” can be selected.)
	Color Space S-Gamut/SLog2 / S-Gamut3.Cine/SLog3 / S-Gamut3/SLog3 / Matrix	Sets the color space. (When “Shooting Mode” in “Base Setting” of the System menu is set to “Custom,” “Matrix” can be selected. When “Shooting Mode” in “Base Setting” of the System menu is set to “Cine EI,” “S-Gamut/SLog2,” “S-Gamut3.Cine/SLog3,” or “S-Gamut3/SLog3” can be selected.)
	Imager Scan Mode Normal / 2K Full / 2K Center	Sets the reading mode of the imager. Normal: Shoots with 4K Super 35 mm size for normal recording. Shoots with 2K size for frame rate that is faster than 60P. 2K Full: Shoots with 2K Super 35 mm size. 2K Center: Shoots with the size equivalent to the Super 16 mm (center area of Super 35 mm).

System																																																																					
Menu items	Sub items and setting values	Contents																																																																			
Rec Format	SxS Format	Sets the video format to be recorded on the SxS memory card.																																																																			
Setting the recording format	XAVC 4K Class480 XAVC 4K Class300 (PMW-F55 or PMW-F5 + CBKZ-55FX only) XAVC QFHD Class480 XAVC QFHD Class300 (PMW-F55 or PMW-F5 + CBKZ-55FX only) XAVC 2048 × 1080P XAVC 1920 × 1080P MPEG 1920 × 1080i MPEG 1280 × 720P SStP SR-SQ 444 SStP SR-SQ 422 SStP SR-Lite 422 DNxHD 220x HD P/i* DNxHD 145 HD P/i* ProRes 4444 HD P* ProRes 422 HQ HD P/i* ProRes 422 HD P/i* * When the CBK-55PD is applied.	The setttable format for recording differs depending on the setting of “Frequency” in “System Setting” of the System menu and “Main Operation” in “Base Setting” of the System menu. When system frequency is set to 59.94 or 50																																																																			
<table border="1"> <thead> <tr> <th rowspan="2">Recording format</th> <th colspan="3">Main Operation</th> </tr> <tr> <th>YPbPr</th> <th>RGB</th> <th>AXS(R7/R5)**</th> </tr> </thead> <tbody> <tr> <td>XAVC 4K Class300</td> <td>○</td> <td>–</td> <td>–</td> </tr> <tr> <td>XAVC QFHD Class300</td> <td>○</td> <td>–</td> <td>–</td> </tr> <tr> <td>XAVC 2048 × 1080P</td> <td>○</td> <td>○</td> <td>○</td> </tr> <tr> <td>XAVC 1920 × 1080P</td> <td>○</td> <td>○</td> <td>○</td> </tr> <tr> <td>MPEG 1920 × 1080i</td> <td>○</td> <td>○</td> <td>○</td> </tr> <tr> <td>MPEG 1280 × 720P</td> <td>○</td> <td>–</td> <td>–</td> </tr> <tr> <td>SStP SR-SQ 422</td> <td>○***</td> <td>–</td> <td>–</td> </tr> <tr> <td>DNxHD 220x HD i</td> <td>○</td> <td>–</td> <td>–</td> </tr> <tr> <td>DNxHD 145 HD i</td> <td>○</td> <td>–</td> <td>–</td> </tr> <tr> <td>ProRes 422 HQ HD i</td> <td>○</td> <td>–</td> <td>–</td> </tr> <tr> <td>ProRes 422 HD i</td> <td>○</td> <td>–</td> <td>–</td> </tr> </tbody> </table>			Recording format	Main Operation			YPbPr	RGB	AXS(R7/R5)**	XAVC 4K Class300	○	–	–	XAVC QFHD Class300	○	–	–	XAVC 2048 × 1080P	○	○	○	XAVC 1920 × 1080P	○	○	○	MPEG 1920 × 1080i	○	○	○	MPEG 1280 × 720P	○	–	–	SStP SR-SQ 422	○***	–	–	DNxHD 220x HD i	○	–	–	DNxHD 145 HD i	○	–	–	ProRes 422 HQ HD i	○	–	–	ProRes 422 HD i	○	–	–																
Recording format	Main Operation																																																																				
	YPbPr	RGB	AXS(R7/R5)**																																																																		
XAVC 4K Class300	○	–	–																																																																		
XAVC QFHD Class300	○	–	–																																																																		
XAVC 2048 × 1080P	○	○	○																																																																		
XAVC 1920 × 1080P	○	○	○																																																																		
MPEG 1920 × 1080i	○	○	○																																																																		
MPEG 1280 × 720P	○	–	–																																																																		
SStP SR-SQ 422	○***	–	–																																																																		
DNxHD 220x HD i	○	–	–																																																																		
DNxHD 145 HD i	○	–	–																																																																		
ProRes 422 HQ HD i	○	–	–																																																																		
ProRes 422 HD i	○	–	–																																																																		
<p>When system frequency is set to 29.97, 25, or 23.98</p> <table border="1"> <thead> <tr> <th rowspan="2">Recording format</th> <th colspan="3">Main Operation</th> </tr> <tr> <th>YPbPr</th> <th>RGB</th> <th>AXS(R7/R5)**</th> </tr> </thead> <tbody> <tr> <td>XAVC 4K Class480</td> <td>○</td> <td>–</td> <td>–</td> </tr> <tr> <td>XAVC 4K Class300</td> <td>○</td> <td>–</td> <td>–</td> </tr> <tr> <td>XAVC QFHD Class480</td> <td>○</td> <td>–</td> <td>–</td> </tr> <tr> <td>XAVC QFHD Class300</td> <td>○</td> <td>–</td> <td>–</td> </tr> <tr> <td>XAVC 2048 × 1080P</td> <td>○</td> <td>○</td> <td>○</td> </tr> <tr> <td>XAVC 1920 × 1080P</td> <td>○</td> <td>○</td> <td>○</td> </tr> <tr> <td>MPEG 1920 × 1080P</td> <td>○</td> <td>○</td> <td>○</td> </tr> <tr> <td>SStP SR-SQ 444</td> <td>–</td> <td>○</td> <td>–</td> </tr> <tr> <td>SStP SR-SQ 422</td> <td>○</td> <td>–</td> <td>–</td> </tr> <tr> <td>SStP SR-Lite 422</td> <td>○</td> <td>–</td> <td>–</td> </tr> <tr> <td>DNxHD 220x HD P</td> <td>○</td> <td>–</td> <td>–</td> </tr> <tr> <td>DNxHD 145 HD P</td> <td>○</td> <td>–</td> <td>–</td> </tr> <tr> <td>ProRes 4444 HD P</td> <td>–</td> <td>○</td> <td>–</td> </tr> <tr> <td>ProRes 422 HQ HD P</td> <td>○</td> <td>–</td> <td>–</td> </tr> <tr> <td>ProRes 422 HD P</td> <td>○</td> <td>–</td> <td>–</td> </tr> </tbody> </table>			Recording format	Main Operation			YPbPr	RGB	AXS(R7/R5)**	XAVC 4K Class480	○	–	–	XAVC 4K Class300	○	–	–	XAVC QFHD Class480	○	–	–	XAVC QFHD Class300	○	–	–	XAVC 2048 × 1080P	○	○	○	XAVC 1920 × 1080P	○	○	○	MPEG 1920 × 1080P	○	○	○	SStP SR-SQ 444	–	○	–	SStP SR-SQ 422	○	–	–	SStP SR-Lite 422	○	–	–	DNxHD 220x HD P	○	–	–	DNxHD 145 HD P	○	–	–	ProRes 4444 HD P	–	○	–	ProRes 422 HQ HD P	○	–	–	ProRes 422 HD P	○	–	–
Recording format	Main Operation																																																																				
	YPbPr	RGB	AXS(R7/R5)**																																																																		
XAVC 4K Class480	○	–	–																																																																		
XAVC 4K Class300	○	–	–																																																																		
XAVC QFHD Class480	○	–	–																																																																		
XAVC QFHD Class300	○	–	–																																																																		
XAVC 2048 × 1080P	○	○	○																																																																		
XAVC 1920 × 1080P	○	○	○																																																																		
MPEG 1920 × 1080P	○	○	○																																																																		
SStP SR-SQ 444	–	○	–																																																																		
SStP SR-SQ 422	○	–	–																																																																		
SStP SR-Lite 422	○	–	–																																																																		
DNxHD 220x HD P	○	–	–																																																																		
DNxHD 145 HD P	○	–	–																																																																		
ProRes 4444 HD P	–	○	–																																																																		
ProRes 422 HQ HD P	○	–	–																																																																		
ProRes 422 HD P	○	–	–																																																																		

System

Menu items Sub items and setting values Contents

When system frequency is set to 24

Recording format	Main Operation		
	YPbPr	RGB	AXS(R7/R5)**
XAVC 4K Class480	○	–	–
XAVC 4K Class300	○	–	–
XAVC 2048 × 1080P	○	○	○
SStP SR-SQ 444	–	○	–
SStP SR-SQ 422	○	–	–
SStP SR-Lite 422	○	–	–
ProRes 4444 HD P	–	○	–
ProRes 422 HQ HD P	○	–	–
ProRes 422 HD P	○	–	–

** “Rec Control” of the Recording menu needs to be set to “SxS&AXS.”

*** Only when the system frequency is 59.94.

AXS Format (Only when the AXS-R7 is attached)

RAW SQ / X-OCN ST / X-OCN LT

Sets the video format for recording onto the AXS memory card that is inserted into the AXS-R7.

Genlock

Setting Genlock operation

Reference

Internal / External (HD) / External (SD)

Displays the genlock status. When genlocked, the signal type is displayed.

Internal: Not genlocked.

External (HD): Genlocked by the HD signal.

External (SD): Genlocked by the SD signal.

System		
Menu items	Sub items and setting values	Contents
Assignable Button	<1> to <4> (<5> to <8>), Lens RET	Assign a function to the ASSIGN 1/2/3/4 (5/6/7/8) buttons and RET button on the lens.
	Assigning functions to the assignable buttons	<p>Off / Marker / Zebra / Peaking / Display / Video Signal Monitor / VF Focus Magnifier / VF Mode / Rec / S&Q Motion / Picture Cache Rec / Rec Review / High/Low Key / White Memory / VF High Contrast / Color Bars</p> <p>Marker: Turns the center marker, safety zone, aspect marker, and guide frame functions on/off as a group.</p> <p>Zebra: Turns the zebra function on/off.</p> <p>Peaking: Turns the peaking function on/off.</p> <p>Display: Turns the indications of status/setting on the monitor on/off.</p> <p>Video Signal Monitor: Switches the waveform indication (Off/Waveform/Vector/Histogram) for the output signal from SDI (Sub).</p> <p>VF Focus Magnifier: Turn the Focus Magnifier function of the viewfinder on/off.</p> <p>VF Mode: Switches between color and mono display on the viewfinder.</p> <p>Rec: Executes the start/stop recording. (The lamp of the ASSIGN button lights up while recording.)</p> <p>S&Q Motion: Turns the Slow & Quick motion function on/off.</p> <p>Picture Cache Rec: Turn the Picture Cache Rec function on/off.</p> <p>Rec Review: Performs Rec Review.</p> <p>High/Low Key: Switches between High Key (monitoring display for high key blown-out highlights), Low Key (monitoring display for low key clipped blacks), and Off (normal display).</p> <p>White Memory: Switches between Memory A and Memory B of "White Switch."</p> <p>VF High Contrast: Enhances the contrast of the pictures on the viewfinder.</p> <p>Color Bars: Turn the color bar on/off.</p>
		<p>Tip</p> <p>When attaching the CBK-55BK, "ASSIGN 5 to 8" is displayed.</p> <p>"Color Bars" is assigned to ASSIGN 5 for the default setting.</p>
	Menu Dial Assign	Assign a function to the MENU dial.
	Off / S&Q Frame Rate(Step)	S&Q Frame Rate(Step): Selects the frame rate that is selected in "Frame Rate<1> to <6>" when "Setting" in "S&Q Motion" is set to "On."
	S&Q Frame Rate<1> to <6> 1FPS to 240FPS Default setting	Sets the frame rate that is selected in "S&Q Frame Rate(Step)."
	S&Q Frame Rate<1>: 24FPS	You can select from 1 to 60, 66, 72, 75, 80, 90, 96, 100, 110, 120, 125, 135, 144, 150, 160, 168, 175, 180, and 240FPS.
	S&Q Frame Rate<2>: 32FPS	
	S&Q Frame Rate<3>: 48FPS	
	S&Q Frame Rate<4>: 60FPS	
	S&Q Frame Rate<5>: 90FPS	
	S&Q Frame Rate<6>: 120FPS	

System		
Menu items	Sub items and setting values	Contents
Switch/Lamp Setting for the switch/lamp	Rec Lamp On / Off	Turns the Rec lamp on/off.
	Lock Switch Setting without Rec Button / with Rec Button	Sets whether to include the Rec button on the buttons that are locked by the LOCK switch. (When the Rec function is assigned to the assignable button, the button is treated as the Rec button.)
	Menu Dial Scroll Normal / Loop	Selects the scroll method for the menu operation.
	Menu Dial Direction Normal / Reverse	Selects the scroll direction for the menu operation.
	Set Key on Thumbnail Pause / Play	Sets the behavior when pressing the MENU dial while selecting a thumbnail.
Fan Control Setting the fan control mode	Setting Auto / Minimum / Off in Rec	Sets the fan control mode of the camcorder and AXS recorder that is connected to the camcorder. Auto: Controls the fan automatically by the internal temperature. Minimum: The fan always rotates in silent mode. Off in Rec: The fan rotates in silent mode when recording. The fan rotates at maximum speed when not recording.
	Battery Alarm Setting for the battery	
	Near End:Info Battery 5% to 100% (in steps of 5%)	Sets the battery level at which the low battery warning is generated.
	End:Info Battery 0% to 5%	Sets the battery level at which the battery empty warning is generated.
	Near End:Sony Battery 11.5V to 17V (in steps of 0.1V)	Sets the battery level at which the low battery warning is generated.
	End:Sony Battery 11.0V to 11.5V (in steps of 0.1V)	Sets the battery level at which the battery empty warning is generated.
	Near End:Other Battery 11.5V to 17V (11.8V) (in steps of 0.1V)	Sets the battery level at which the low battery warning is generated.
	End:Other Battery 11.0V to 14V (in steps of 0.1V)	Sets the battery level at which the battery empty warning is generated.
	Detected Battery Sony Info Battery / Sony Battery / Other Battery / DC IN	Displays the type of power supply.
DC Voltage Alarm Setting the warning of the input voltage	DC Low Voltage1 11.5V to 17.0V	Sets the DC IN voltage at which the low input voltage warning is generated.
	DC Low Voltage2 11.0V to 14.0V	Sets the DC IN voltage at which the lack of any input voltage warning is generated.
Language Selecting the language for menus and messages	Select English / 中文(簡)	Selects the language for menus and messages.

System		
Menu items	Sub items and setting values	Contents
Clock Set Setting the built-in clock	Time Zone UTC -12:00 Kwajalein to UTC +14:00	Sets the time-zone difference from UTC in steps of 30 minutes.
	Date Mode YYMMDD / MMDDYY / DDDMMYY	Selects the display mode of the date. YYMMDD: In sequence of year, month, day MMDDYY: In sequence of month, day, year DDMMYY: In sequence of day, month, year
	12H/24H 12H / 24H	Selects the display mode of time. 12H: 12-hour mode 24H: 24-hour mode
	Date	Sets the current date. SET: Sets the date.
	Time	Sets the current time. SET: Sets the time.
	Hours Meter Displaying the hours meter	Hours(System)
Hours(Reset)		Displays the resettable accumulated time of use.
Reset Execute / Cancel		Resets the "Hours(Reset)" value to 0. Execute: Execute resetting.
AXS Recorder Setting for the AXS recorder Note This item cannot be selected when the AXS recorder is not attached.	Chunk Off / 16GB / 8GB / 4GB	This setting is for dividing the clip to the specified size while recording on the AXS memory card. Note This item cannot be selected when the AXS-R7 is attached.
	Version	Displays the software version of AXS-R5/R7.
	Hours Meter (System)	Displays the non-resettable accumulated time of use for AXS-R5/R7.
	Hours Meter (Reset)	Displays the resettable accumulated time of use for AXS-R5/R7.
	Reset Hours Meter Execute / Cancel	Resets the "Hours Meter (Reset)" value to 0. Execute: Executes resetting.
	Basic Authentication Setting for the basic authentication of the network	User Name (admin)
Password (pmw-f5 or pmw-f55)		Sets a password in 1 to 31 alphanumeric characters.

System		
Menu items	Sub items and setting values	Contents
Wi-Fi Setting for Wi-Fi connection	Wi-Fi Enable / Disable	Select whether to enable or disable Wi-Fi connection.
	SSID & Password	Displays the SSID and password of the camcorder.
	Wi-Fi Direct Connection Execute / Cancel	Starts connecting process by the Wi-Fi Direct function. Execute: Executing.
	Client	Displays the status of the connected client device (device name or Mac address).
	IP Address 10.0.0.1	Displays the IP address.
	Subnet Mask 255.255.0.0	Displays the subnet mask.
	MAC Address	Display the MAC address.
	Regenerate Password Execute / Cancel	Regenerates the password. Execute: Executing.
All Reset Resetting to the factory status	Reset Execute/Cancel	Resets the camcorder to the factory status. Execute: Executes resetting.
	Option Settings and display of the option	
	DNxHD/ProRes Installed / Not Installed	Installed: When the expansion codec board CBK-55PD (optional) is attached.
	4K/QFHD XAVC Installed / Not Installed	Installed: When the 4K upgrade license CBKZ-55PX for the PMW-F5 (optional) is installed.
	Install Option	Select when installing the upgrade license.
	ID	Displays the camcorder-specific ID that is set when the license key is acquired.
Version Showing the version of this camcorder	Number Vx.xx	Displays the current software version of the camcorder.
	Version Up Execute / Cancel	Upgrades the camcorder. Execute: Executes.

Connecting External Monitors and Recording Devices

To display recording/playback pictures on an external monitor, select the output signal and use an appropriate cable for the monitor to be connected.

An output signal from the camcorder can be recorded when a recording device is connected. The same status information and menus can be displayed on the external monitor as those on the viewfinder screen.

According to the signal fed to the monitor, set “Output Display” (page 90) in the Video menu to “On.”

SDI OUT connector (BNC type)

Set the on/off setting of the output, and output format in the Video menu (page 88).

Use a commercially available 75-ohm coaxial cable for connection.

Note

Be sure to ground between the camcorder and external device before turning the power on. (We recommend to turn on the camcorder and external device after connecting a 75-ohm coaxial cable.)

When connecting an external device to the camcorder while the camcorder is turned on, connect the external device after connecting a 75-ohm coaxial cable to the external device.

To start synchronized recording on an external device

With SDI signal output selected, synchronized recording is possible by feeding a REC trigger signal to an external recording device connected via the SDI OUT connector. To enable synchronized recording, set “SDI Rec Control” (page 98) in the Recording menu to “On.”

Note

When a connected external device does not correspond to a REC trigger signal, the device cannot be operated.

HDMI OUT connector (Type A connector)

Set the on/off setting of the output, and output format in the Video menu (page 88).

Use a commercially available HDMI cable for connection.

TEST OUT connector (BNC type)

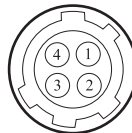
Use a commercially available BNC cable for connection.

DC OUT connector (4-pin)

Supplies DC 12 V power to an accessory when the power switch is set to ON.

You can output the REC Tally signal and input the REC Trigger signal through the DC OUT connector.

4-pin, Female



- External View -

No.	Signal	I/O	Specification
1	UNREG GND	-	GND for UNREG
2	REC TALLY	OUT	Open Collector output (Max. 50 mA) Low: REC
3	REC TRIGGER	IN	Open or +5 V dc: Normal GND: Active (REC)
4	UNREG +12 V OUT	OUT	+11 V to 17 V dc output

Operating Clips With a Computer

To use the ExpressCard slot of a computer

If the computer is equipped with an ExpressCard/34 or ExpressCard/54 slot, you can directly insert the SxS memory card containing clips recorded with this camcorder and access the files.

Notes

- The SxS Device Driver Software must be installed on your computer.
- Operation is not guaranteed with all computers.

For support information for the driver, visit the following URL:

<http://www.sony.net/SxS-Support/>

With a Windows computer, check that a Removable Disk appears in My Computer. This indicates normal status.

With a Macintosh computer, an icon is displayed on the menu bar.

To connect with a USB cable

When you connect the camcorder or the SBAC-US30/UT100 SxS Memory Card USB Reader/Writer (optional) using a USB cable, the memory card in the slot is acknowledged as an extended drive by the computer.

When two memory cards are mounted in this camcorder, they are acknowledged as two independent extended drives by the computer.

When the unit is used with a PC connection, download device drivers, plug-ins, and application software, where applicable, from the Sony Professional products web site.

Sony Professional products web site homepage:

U.S.A.	http://pro.sony.com
Canada	http://www.sonybiz.ca
Latin America	http://sonypro-latin.com
Europe, Middle East and Africa	http://www.pro.sony.eu
Japan	http://www.sonybsc.com
Asia Pacific	http://pro.sony-asia.com
Korea	http://bp.sony.co.kr

China <http://pro.sony.com.cn>

Although the data regarding recorded materials are stored over multiple files and folders, you can easily handle the clips without considering its data and directory structure, by using the dedicated application software.

Notes

- The camcorder does not work on the bus power from the computer. Supply the operating power.
- If you perform operations, such as copy, on clips on the SxS memory card by using the Explorer (Windows) or Finder (Macintosh), the subsidiary data contained by the clips may not be maintained.

To check the connection to the camcorder

1 Set the power switch to ON to turn on the camcorder.

A message prompting you to confirm that you wish to enable the USB connection is displayed on the viewfinder screen.

Note

This message will not be displayed while another confirmation message or in-progress message (e.g., for formatting or restoring of an SxS memory card) is shown on the screen. It appears when formatting or restoration has completed. The USB connection is disabled while recording, playing, or displaying thumbnail.

2 Select “Execute” by turning the MENU dial.

3 With Windows, check that the memory card is displayed as a removable disk in My Computer.

With Macintosh, check that a “NO NAME” or “Untitled” folder was created on the desktop. (The Macintosh folder name can be changed.)

Notes

- The following operations must be avoided when the ACCESS lamp is lit in red.
 - Turning the power off or disconnecting the power cord
 - Removing the SxS memory card
 - Disconnecting the USB cable
- When removing an SxS memory card from a Macintosh, do not select “Card Power Off” from the SxS memory card icon displayed on the menu bar.
- Operation is not guaranteed with all computers.

Using a nonlinear editing system

For a nonlinear editing system, optional editing software that corresponds to the recording formats used with this camcorder is required. Store the clips to be edited on the HDD of your computer in advance, using the dedicated application software.

External Synchronization

When multiple units of the camcorder are used in the same shooting location, synchronized recording can be made with a specific reference signal, and the timecode can be matched among all the units.

Aligning the phase of the video signal (Genlock)

Genlock operation is enabled by supplying a reference signal to the GENLOCK IN connector (*page 16*) of the camcorder.

Valid reference signals depend on the system frequency setting.

System frequency	Valid reference signal
59.94P	1920 × 1080 59.94i 720 × 486 59.94i
59.94i	1920 × 1080 59.94i 720 × 486 59.94i
50P	1920 × 1080 50i 720 × 576 50i
50i	1920 × 1080 50i 720 × 576 50i
29.97P	1920 × 1080 59.94i 720 × 486 59.94i
25P	1920 × 1080 50i 720 × 576 50i
24P	1920 × 1080 48i (24PsF)
23.98P	1920 × 1080 47.95i (23.98PsF)

You can check the genlock status on “Reference” in “Genlock” (*page 106*) of the System menu.

Notes

- If the reference signal is unstable, genlock is not possible.
- The subcarrier is not synchronized.

Synchronizing the timecode of your camcorder with that of another unit

Set the unit that supplies the timecode to a mode in which the timecode output keeps advancing (Free Run mode).

1 Set “Timecode” in the TC/UB menu as follows:

Mode: Preset (Ext-Lk)

Run: Free Run

2 Confirm that the TC IN/OUT switch (*page 16*) is set to IN, then supply an HD or SD reference video signal to the GENLOCK IN connector (*page 16*) and the reference timecode to the TC connector (*page 16*).

The built-in timecode generator of your camcorder locks to the reference timecode, and the message “Ext-Lk” is displayed on the screen. About 10 seconds after locking, even if the reference timecode from the external device is disconnected, the external lock will be kept.

Notes

- Check that the reference timecode and the reference video signal are in a phase relation that complies with the SMPTE timecode standards.
- When you finish the above procedure, the timecode is immediately synchronized with the external timecode, and the time data indication will show the value of the external timecode. However, wait for a few seconds until the timecode generator stabilizes before recording.
- If the frequency of the reference video signal and the frame frequency are not the same, a lock cannot be acquired, and the camcorder will not operate properly. In such a case, the timecode will not be correctly locked to the external timecode.
- When the connection is removed, the timecode advance may shift one frame per hour with respect to the reference timecode.

To release the external timecode synchronization

Change the “Timecode” setting in the TC/UB menu.

External synchronization is also released when you start recording in a special recording mode.

Important Notes on Operation

Use and Storage

Do not subject the unit to severe shock

The internal mechanism may be damaged or the body warped.

Do not cover the unit while operating

Putting a cloth, for example, over the unit can cause excessive internal heat build-up.

After use

Always set the power switch to OFF.

Before storing the unit for a long period

Remove the battery pack.

Do not leave the camcorder with the lenses facing the sun

Direct sunlight can enter through the lenses, be focused in the camcorder, and cause fire.

Shipping

- Remove the memory cards before transporting the unit.
- If sending the unit by truck, ship, air or other transportation service, pack it in the shipping carton of the unit.

Care of the unit

If the body of the unit is dirty, clean it with a soft, dry cloth. In extreme cases, use a cloth steeped in a little neutral detergent, then wipe dry. Do not use organic solvents such as alcohol or thinner, as these may cause discoloration or other damage to the finish of the unit.

In the event of operating problems

If you should experience problems with the unit, contact your Sony dealer.

The fan and battery are consumable parts that will need periodic replacement

The fan and battery are consumable parts that will need periodic replacement.

When operating at room temperature, a normal replacement cycle will be about 5 years.

However, this replacement cycle represents only a general guideline and does not imply that the

life expectancy of these parts is guaranteed. For details on parts replacement, contact your dealer.

Life expectancy of the electrolytic capacitor

The life expectancy of the electrolytic capacitor is about 5 years under normal operating temperatures and normal usage (8 hours per day; 25 days per month). If usage exceeds the above normal usage frequency, the life expectancy may be reduced correspondingly.

Note about the battery terminal

The battery terminal of this unit (the connector for battery packs and AC adaptors) is a consumable part.

Power may not be supplied to the unit properly if the pins of the battery terminal are bent or deformed by shock or vibrations, or if they become corroded due to prolonged outdoor use. Periodic inspections are recommended to keep the unit working properly and to prolong its usable lifetime.

Contact a Sony service or sales representative for more information about inspections.

Use and storage locations

Store in a level, ventilated place. Avoid using or storing the unit in the following places:

- In excessive heat or cold (operating temperature range: 0°C to 40°C or 32°F to 104°F)
Remember that in summer in warm climates the temperature inside a car with the windows closed can easily exceed 50°C (122°F).
- In damp or dusty locations
- Locations where the unit may be exposed to rain
- Locations subject to violent vibration
- Near strong magnetic fields
- Close to radio or TV transmitters producing strong electromagnetic fields.
- In direct sunlight or close to heaters for extended periods

To prevent electromagnetic interference from portable communications devices

The use of portable telephones and other communications devices near this unit can result in malfunctions and interference with audio and video signals.

It is recommended that the portable communications devices near this unit be powered off.

Note on laser beams

Laser beams may damage the CMOS image sensors. If you shoot a scene that includes a laser beam, be careful not to let the laser beam be directed into the lens of the camcorder.

About the LCD monitor

- Do not leave the LCD monitor facing direct sunlight, as this may damage the LCD monitor.
- Do not press/swipe the LCD monitor forcefully, or leave objects on the LCD monitor, as it may cause a malfunction, such as picture irregularity, etc.
- The LCD monitor may become warm in use. This is not a malfunction.

About the LCD panels

The LCD panel fitted to this unit is manufactured with high precision technology, giving a functioning pixel ratio of at least 99.99%. Thus a very small proportion of pixels may be “stuck”, either always off (black), always on (red, green, or blue), or flashing. In addition, over a long period of use, because of the physical characteristics of the liquid crystal display, such “stuck” pixels may appear spontaneously. These problems are not a malfunction.

Note that any such problems have no effect on recorded data.

On condensation

If the unit is suddenly taken from a cold to a warm location, or if ambient temperature suddenly rises, moisture may form on the outer surface of the unit and/or inside of the unit. This is known as condensation. If condensation occurs, turn off the unit and wait until the condensation clears before operating the unit. Operating the unit while condensation is present may damage the unit.

Phenomena specific to CMOS image sensors

The following phenomena that may appear in images are specific to CMOS (Complementary Metal Oxide Semiconductor) image sensors. They do not indicate malfunctions.

White flecks

Although the CMOS image sensors are produced with high-precision technologies, fine white flecks may be generated on the screen in rare cases, caused by cosmic rays, etc.

This is related to the principle of CMOS image sensors and is not a malfunction.

The white flecks especially tend to be seen in the following cases:

- when operating at a high environmental temperature
- when you have raised the master gain (sensitivity)
- when operating in Slow-Shutter mode

Aliasing

When fine patterns, stripes, or lines are shot, they may appear jagged or flicker.

Focal plane (PMW-F5 only)

Owing to the characteristics of the pickup elements (CMOS sensors) for reading video signals, subjects that quickly move across the screen may appear slightly skewed.

Flash band (PMW-F5 only)

The luminance at the top and bottom of the screen may change when shooting a flashlight beam or a light source that quickly flashes.

Flicker (PMW-F5 only)

Shooting under the lights of a discharge lamp such as a fluorescent lamp, sodium-vapor lamp, mercury-vapor lamp, etc., may cause flickering, color change, or vertical stripes.

Note on the display

- Pictures on the viewfinder screen may be distorted by the following operations:
 - Changing the video format
 - Starting playback from the Thumbnail screen
- When you change the eye direction in the viewfinder, you may see primary colors red, green, and blue, but this is not a defect of the

camcorder. These primary colors are not recorded on any recording media.

Fragmentation

If pictures cannot be recorded/reproduced properly, try formatting the recording medium. While repeating picture recording/playback with a certain recording medium for an extended period, files in the medium may be fragmented, disabling proper recording/storage. In such a case, make a backup of clips in the medium then perform formatting of the medium using “Format Media” (*page 99*) in the Media menu.

Notes on security

- SONY WILL NOT BE LIABLE FOR DAMAGES OF ANY KIND RESULTING FROM A FAILURE TO IMPLEMENT PROPER SECURITY MEASURES ON TRANSMISSION DEVICES, UNAVOIDABLE DATA LEAKS RESULTING FROM TRANSMISSION SPECIFICATIONS, OR SECURITY PROBLEMS OF ANY KIND.
- Depending on the operating environment, unauthorized third parties on the network may be able to access the system. We strongly recommend configuring all of the passwords for security purposes. Configure all the passwords following the procedure on *page 36*.
- Communication content may be unknowingly intercepted by unauthorized third parties in the vicinity of the signals. When using wireless LAN communication, implement security measures properly to protect the communication content.

Formats and Limitations of Outputs

Video Formats and Output Signals

Tip

When using the 1.3× or 2× anamorphic lens, set “Aspect” in “VF Setting” (page 91) of the VF menu to “Anamo ×1.3” or “Anamo ×2” to output the normal image without distortion from the SDI OUT (Sub), HDMI OUT, and TEST OUT connectors.

Output formats for the SDI OUT connector

Serial digital signals from the SDI OUT connector are output depending on the settings of the setup menu and format of the clip being played.

When outputting one type of SDI output by using the SDI OUT 1 to 4 connectors while “Main Operation” in “Base Setting” is set to “YPbPr” (PMW-F55 and PMW-F5 + CBKZ-55FX only)

The “Frequency” setting in “System Setting” of the System menu	The “SxS Format” setting in “Rec format” of the System menu	Output format	
		SDI (Main)	
59.94/50	XAVC 4K Class300	4096 × 2160 YPbPr Square Division 59.94P/50P 3.0G	
		4096 × 2160 YPbPr 2-Sample Interleave Division 59.94P/50P 3.0G	
		3840 × 2160 YPbPr Square Division 59.94P/50P 3.0G	
		3840 × 2160 YPbPr 2-Sample Interleave Division 59.94P/50P 3.0G	
	XAVC QFHD Class300	3840 × 2160 YPbPr Square Division 59.94P/50P 3.0G	
		3840 × 2160 YPbPr 2-Sample Interleave Division 59.94P/50P 3.0G	
29.97/25/23.98	XAVC 4K Class480 XAVC 4K Class300	4096 × 2160 YPbPr Square Division 29.97P/25P/23.98P 1.5G	
		4096 × 2160 YPbPr 2-Sample Interleave Division 29.97P/25P/23.98P 3.0G (SDI 1/2 only)	
		3840 × 2160 YPbPr Square Division 29.97P/25P/23.98P 1.5G	
		3840 × 2160 YPbPr 2-Sample Interleave Division 29.97P/25P/23.98P 3.0G (SDI 1/2 only)	
	XAVC QFHD Class480 XAVC QFHD Class300	3840 × 2160 YPbPr Square Division 29.97P/25P/23.98P 1.5G	
		3840 × 2160 YPbPr 2-Sample Interleave Division 29.97P/25P/23.98P 3.0G (SDI 1/2 only)	
24	XAVC 4K Class480 XAVC 4K Class300	4096 × 2160 YPbPr Square Division 24P 1.5G	
		4096 × 2160 YPbPr 2-Sample Interleave Division 24P 3.0G (SDI 1/2 only)	
		3840 × 2160 YPbPr Square Division 24P 1.5G	
		3840 × 2160 YPbPr 2-Sample Interleave Division 24P 3.0G (SDI 1/2 only)	

When outputting two types of SDI output by using the SDI OUT 1/2 (MAIN) and SDI OUT 3/4 (SUB) connectors while “Main Operation” in “Base Setting” is set to “YPbPr”

The “Frequency” setting in “System Setting” of the System menu	The “SxS Format” setting in “Rec format” of the System menu	Output format	
		SDI (Main)	SDI (Sub)
59.94/50	XAVC 4K Class300 (PMW-F55 and PMW-F5 + CBKZ-55FX only)	2048 × 1080 YPbPr 59.94P/50P 3.0G	1920 × 1080 YPbPr 59.94P/50P 3.0G
			1920 × 1080 YPbPr 59.94i/50i 1.5G
		1920 × 1080 YPbPr 59.94P/50P 3.0G	1920 × 1080 YPbPr 59.94P/50P 3.0G
			1920 × 1080 YPbPr 59.94i/50i 1.5G
		1920 × 1080 YPbPr 59.94i/50i 1.5G	1920 × 1080 YPbPr 59.94i/50i 1.5G
			1920 × 1080 YPbPr 59.94i/50i 1.5G
	XAVC QFHD Class300 (PMW-F55 and PMW-F5 + CBKZ-55FX only)	1920 × 1080 YPbPr 59.94P/50P 3.0G	1920 × 1080 YPbPr 59.94P/50P 3.0G
			1920 × 1080 YPbPr 59.94i/50i 1.5G
		1920 × 1080 YPbPr 59.94i/50i 1.5G	1920 × 1080 YPbPr 59.94i/50i 1.5G
			1920 × 1080 YPbPr 59.94i/50i 1.5G
	XAVC 2048 × 1080P	2048 × 1080 YPbPr 59.94P/50P 3.0G	1920 × 1080 YPbPr 59.94P/50P 3.0G
			1920 × 1080 YPbPr 59.94i/50i 1.5G
720 × 486/576 YPbPr 59.94i/50i 270M*			
720 × 486/576 YPbPr 59.94i/50i 270M*			
1920 × 1080 YPbPr 59.94P/50P 3.0G		1920 × 1080 YPbPr 59.94P/50P 3.0G	
		1920 × 1080 YPbPr 59.94i/50i 1.5G	
		720 × 486/576 YPbPr 59.94i/50i 270M*	
		720 × 486/576 YPbPr 59.94i/50i 270M*	
1920 × 1080 YPbPr 59.94i/50i 1.5G	1920 × 1080 YPbPr 59.94i/50i 1.5G		
	1920 × 1080 YPbPr 59.94i/50i 1.5G		
	720 × 486/576 YPbPr 59.94i/50i 270M*		
	720 × 486/576 YPbPr 59.94i/50i 270M*		
XAVC 1920 × 1080P MPEG 1920 × 1080i	1920 × 1080 YPbPr 59.94P/50P 3.0G	1920 × 1080 YPbPr 59.94P/50P 3.0G	
		1920 × 1080 YPbPr 59.94i/50i 1.5G	
		720 × 486/576 YPbPr 59.94i/50i 270M*	
		720 × 486/576 YPbPr 59.94i/50i 270M*	
	1920 × 1080 YPbPr 59.94i/50i 1.5G	1920 × 1080 YPbPr 59.94i/50i 1.5G	
		720 × 486/576 YPbPr 59.94i/50i 270M*	
MPEG 1280 × 720P	1280 × 720 YPbPr 59.94P/50P 1.5G	1280 × 720 YPbPr 59.94P/50P 1.5G	
		720 × 486/576 YPbPr 59.94i/50i 270M*	

The “Frequency” setting in “System Setting” of the System menu	The “SxS Format” setting in “Rec format” of the System menu	Output format	
		SDI (Main)	SDI (Sub)
	SSiP SR-SQ 422	1920 × 1080 YPbPr 59.94i/50i 1.5G	1920 × 1080 YPbPr 59.94i/50i 1.5G 720 × 486/576 YPbPr 59.94i/50i 270M*
	DNxHD 220x HD i DNxHD 145 HD i ProRes 422 HQ HD i ProRes 422 HD i (When the CBK-55PD is installed)	1920 × 1080 YPbPr 59.94i/50i 1.5G	1920 × 1080 YPbPr 59.94i/50i 1.5G
29.97/25	XAVC 4K Class480 XAVC 4K Class300 (PMW-F55 and PMW-F5 + CBKZ-55FX only)	2048 × 1080 YPbPr 29.97PsF/25PsF 1.5G 1920 × 1080 YPbPr 29.97PsF/25PsF 1.5G	1920 × 1080 YPbPr 29.97PsF/25PsF 1.5G
	XAVC QFHD Class480 XAVC QFHD Class300 (PMW-F55 and PMW-F5 + CBKZ-55FX only)	1920 × 1080 YPbPr 29.97PsF/25PsF 1.5G	1920 × 1080 YPbPr 29.97PsF/25PsF 1.5G
	XAVC 2048 × 1080P	2048 × 1080 YPbPr 29.97PsF/25PsF 1.5G	1920 × 1080 YPbPr 29.97PsF/25PsF 1.5G 720 × 486/576 YPbPr 29.97PsF/25PsF 270M
		1920 × 1080 YPbPr 29.97PsF/25PsF 1.5G	1920 × 1080 YPbPr 29.97PsF/25PsF 1.5G 720 × 486/576 YPbPr 29.97PsF/25PsF 270M
	XAVC 1920 × 1080P MPEG 1920 × 1080i SSiP SR-SQ/Lite 422	1920 × 1080 YPbPr 29.97PsF/25PsF 1.5G	1920 × 1080 YPbPr 29.97PsF/25PsF 1.5G 720 × 486/576 YPbPr 29.97PsF/25PsF 270M
	DNxHD 220x HD P DNxHD 145 HD P ProRes 422 HQ HD P ProRes 422 HD P (When the CBK-55PD is installed)	1920 × 1080 YPbPr 29.97P/25P 1.5G	1920 × 1080 YPbPr 29.97PsF/25PsF 1.5G
	24	XAVC 4K Class480 XAVC 4K Class300 (PMW-F55 and PMW-F5 + CBKZ-55FX only) XAVC 2048 × 1080P	2048 × 1080 YPbPr 24PsF 1.5G 1920 × 1080 YPbPr 24PsF 1.5G
SSiP SR-SQ/Lite 422		1920 × 1080 YPbPr 24PsF 1.5G	1920 × 1080 YPbPr 24PsF 1.5G
ProRes 422 HQ HD P ProRes 422 HD P (When the CBK-55PD is installed)		1920 × 1080 YPbPr 24P 1.5G	1920 × 1080 YPbPr 24PsF 1.5G

The “Frequency” setting in “System Setting” of the System menu	The “SxS Format” setting in “Rec format” of the System menu	Output format	
		SDI (Main)	SDI (Sub)
23.98	XAVC 4K Class480 XAVC 4K Class300 (PMW-F55 and PMW-F5 + CBKZ-55FX only) XAVC 2048 × 1080P	2048 × 1080 YPbPr 23.98PsF 1.5G	1920 × 1080 YPbPr 23.98PsF 1.5G
		1920 × 1080 YPbPr 23.98PsF 1.5G	
	XAVC QFHD Class480 XAVC QFHD Class300 (PMW-F55 and PMW-F5 + CBKZ-55FX only)	1920 × 1080 YPbPr 23.98PsF 1.5G	1920 × 1080 YPbPr 23.98PsF 1.5G
	XAVC 1920 × 1080P MPEG 1920 × 1080i SSiP SR-SQ/Lite 422	1920 × 1080 YPbPr 23.98PsF 1.5G	1920 × 1080 YPbPr 23.98PsF 1.5G
	DNxHD 220x HD P DNxHD 145 HD P ProRes 422 HQ HD P ProRes 422 HD P (When the CBK-55PD is installed)	1920 × 1080 YPbPr 23.98P 1.5G	1920 × 1080 YPbPr 23.98PsF 1.5G

* Cannot be selected when “Shooting Mode” in “Base Setting” of the System menu is set to “Cine EI.”

When outputting two types of SDI output by using the SDI OUT 1/2 (MAIN) and SDI OUT 3/4 (SUB) connectors while “Main Operation” in “Base Setting” is set to “RGB”

The “Frequency” setting in “System Setting” of the System menu	The “SxS Format” setting in “Rec format” of the System menu	Output format	
		SDI (Main)	SDI (Sub)
59.94/50	XAVC 2048 × 1080P	2048 × 1080 RGB 59.94P/50P 3.0G	1920 × 1080 YPbPr 59.94P/50P 3.0G
			1920 × 1080 YPbPr 59.94i/50i 1.5G
		1920 × 1080 RGB 59.94P/50P 3.0G	1920 × 1080 YPbPr 59.94i/50i 1.5G
	XAVC 1920 × 1080P MPEG 1920 × 1080i	1920 × 1080 RGB 59.94P/50P 3.0G	1920 × 1080 YPbPr 59.94P/50P 3.0G 1920 × 1080 YPbPr 59.94i/50i 1.5G
29.97/25	XAVC 2048 × 1080P	2048 × 1080 RGB 29.97PsF/25PsF 3.0G	1920 × 1080 YPbPr 29.97PsF/25PsF 1.5G
			1920 × 1080 YPbPr 29.97PsF/25PsF 1.5G
		1920 × 1080 RGB 29.97PsF/25PsF 3.0G	1920 × 1080 YPbPr 29.97PsF/25PsF 1.5G
	XAVC 1920 × 1080P MPEG 1920 × 1080i SSiP SR-SQ444	1920 × 1080 RGB 29.97PsF/25PsF 3.0G	1920 × 1080 YPbPr 29.97PsF/25PsF 1.5G
	ProRes 4444 HD P	1920×1080 RGB 29.97P/25P 3.0G	1920×1080 YPbPr 29.97PsF/ 25PsF 1.5G

The “Frequency” setting in “System Setting” of the System menu	The “SxS Format” setting in “Rec format” of the System menu	Output format	
		SDI (Main)	SDI (Sub)
24	XAVC 2048 × 1080P	2048 × 1080 RGB 24PsF 3.0G	1920 × 1080 YPbPr 24PsF 1.5G
		1920 × 1080 RGB 24PsF 3.0G	
	SStP SR-SQ444	1920 × 1080 RGB 24PsF 3.0G	1920 × 1080 YPbPr 24PsF 1.5G
	ProRes 4444 HD P	1920×1080 RGB 24P 3.0G	1920×1080 YPbPr 24PsF 1.5G
23.98	XAVC 2048 × 1080P	2048 × 1080 RGB 23.98PsF 3.0G	1920 × 1080 YPbPr 23.98PsF 1.5G
		1920 × 1080 RGB 23.98PsF 3.0G	
		XAVC 1920 × 1080P MPEG 1920 × 1080i SStP SR-SQ444	
	ProRes 4444 HD P	1920×1080 RGB 23.98P 3.0G	1920×1080 YPbPr 23.98PsF 1.5G

Output formats from the HDMI OUT connector

Serial digital signals from the HDMI OUT connector are output depending on the settings of the setup menu and format of the clip being played.

When the output format of SDI (MAIN) is 4096 × 2160P or 3840 × 2160P (PMW-F55 and PMW-F5 + CBKZ-55FX only)

The “Frequency” setting in “System Setting” of the System menu	The “SDI (Main)” setting in “Output Format” of the Video menu	Output format
59.94/50	4096 × 2160P Square 3840 × 2160P Square	1920 × 1080 59.94P/50P
		1920 × 1080 59.94i/50i
	4096 × 2160P 2SI	4096 × 2160 59.94P/50P
		1920 × 1080 59.94P/50P
		1920 × 1080 59.94i/50i
	3840 × 2160P 2SI	3840 × 2160 59.94P/50P
1920 × 1080 59.94P/50P		
1920 × 1080 59.94i/50i		
29.97/25	4096 × 2160P Square 3840 × 2160P Square	1920 × 1080 29.97PsF/25PsF
		4096 × 2160P 2SI
	3840 × 2160P 2SI	4096 × 2160 29.97P/25P
		1920 × 1080 29.97PsF/25PsF
24/23.98	4096 × 2160P Square 3840 × 2160P Square	1920 × 1080 24P/23.98P
		4096 × 2160P 2SI
	3840 × 2160P 2SI	4096 × 2160 24P/23.98P
		1920 × 1080 24P/23.98P
	3840 × 2160P 2SI	3840 × 2160 24P/23.98P
		1920 × 1080 24P/23.98P

When the output format of SDI (MAIN) is less than 2048 × 1080

The “Frequency” setting in “System Setting” of the System menu	The “SxS Format” setting in “Rec format” of the System menu	Output format
59.94/50	XAVC 4K Class300 (PMW-F55 and PMW-F5 + CBKZ-55FX only) XAVC QFHD Class300 (PMW-F55 and PMW-F5 + CBKZ-55FX only)	1920 × 1080 59.94P/50P 1920 × 1080 59.94i/50i
29.97/25	XAVC 4K Class480 XAVC 4K Class300 (PMW-F55 and PMW-F5 + CBKZ-55FX only) XAVC QFHD Class480 XAVC QFHD Class300 (PMW-F55 and PMW-F5 + CBKZ-55FX only) XAVC 2048 × 1080P XAVC 1920 × 1080P MPEG 1920 × 1080P SStP SR-SQ 422 SStP SR-Lite 422 SStP SR-SQ 444 DNxHD 220x HD i DNxHD 145 HD i ProRes 4444 HD P ProRes 422 HQ HD i ProRes 422 HD i	1920 × 1080 29.97PsF/25PsF
24	XAVC 4K Class480 XAVC 4K Class300 (PMW-F55 and PMW-F5 + CBKZ-55FX only) XAVC 2048 × 1080P SStP SR-SQ 422 SStP SR-Lite 422 SStP SR-SQ 444 ProRes 4444 HD P ProRes 422 HQ HD P ProRes 422 HD P	1920 × 1080 24P

The “Frequency” setting in “System Setting” of the System menu	The “SxS Format” setting in “Rec format” of the System menu	Output format
23.98	XAVC 4K Class480 XAVC 4K Class300 (PMW-F55 and PMW-F5 + CBKZ-55FX only) XAVC QFHD Class480 XAVC QFHD Class300 (PMW-F55 and PMW-F5 + CBKZ-55FX only) XAVC 2048 × 1080P XAVC 1920 × 1080P MPEG 1920 × 1080P SStP SR-SQ 422 SStP SR-Lite 422 SStP SR-SQ 444 DNxHD 220x HD P DNxHD 145 HD P ProRes 4444 HD P ProRes 422 HQ HD P ProRes 422 HD P	1920 × 1080 23.98P

Output formats from the TEST OUT connector

Signals output from the TEST OUT connector are either the HD-Y, Composite, or HD SYNC signals output from the SDI OUT connector/HDMI OUT connector.

The output signal differs depending on the setting of setup menu or output format setting of SDI (Main)/SDI (Sub).

The "Frequency" setting in "System Setting" of the System menu	Output format of SDI (Main)	Output format of SDI (Sub)	Output format
59.94/50	4096 × 2160 59.94P/50P (PMW-F55 and PMW-F5 + CBKZ-55FX only) 3840 × 2160 59.94P/50P (PMW-F55 and PMW-F5 + CBKZ-55FX only)	×	HD SYNC 1920 × 1080 59.94i/50i
	2048 × 1080 59.94P/50P 1920 × 1080 59.94P/50P 1920 × 1080 59.94i/50i	1920 × 1080 59.94P/50P	HD SYNC 1920 × 1080 59.94i/50i
		1920 × 1080 59.94i/50i	HD Y 1920 × 1080 59.94i/50i
		720 × 486/576 59.94i/50i	Composite 720 × 486/576 59.94i/50i
29.97/25	4096 × 2160 29.97P/25P (PMW-F55 and PMW-F5 + CBKZ-55FX only) 3840 × 2160 29.97P/25P (PMW-F55 and PMW-F5 + CBKZ-55FX only)	×	HD SYNC 1920 × 1080 29.97PsF/ 25PsF
	2048 × 1080 29.97PsF/ 25PsF 1920 × 1080 29.97PsF/ 25PsF	1920 × 1080 29.97PsF/ 25PsF	HD Y 1920 × 1080 29.97PsF/ 25PsF
		720 × 486/576 29.97PsF/ 25PsF	Composite 720 × 486/576 29.97PsF/ 25PsF
		24	4096 × 2160 24P (PMW-F55 and PMW-F5 + CBKZ-55FX only)
	2048 × 1080 24PsF 1920 × 1080 24PsF	1920 × 1080 24PsF	HD Y 1920 × 1080 24PsF
23.98	4096 × 2160 23.98P (PMW-F55 and PMW-F5 + CBKZ-55FX only) 3840 × 2160 23.98P (PMW-F55 and PMW-F5 + CBKZ-55FX only)	×	HD SYNC 1920 × 1080 23.98PsF
	2048 × 1080 23.98PsF 1920 × 1080 23.98PsF	1920 × 1080 23.98PsF	HD Y 1920 × 1080 23.98PsF

Error/Warning Indications

The camcorder informs you of situations where warning, caution, or an operation check is required, through messages on the viewfinder screen, the REC lamp, and a buzzer.

The buzzer is output to the built-in speaker or to the headphones connected via the headphone connector. When the camcorder is turned on, the message for prompting the APR function appears on the viewfinder screen if the auto adjustment for the image sensor (APR) has not performed for a period of time. In this case, perform "APR" (*page 103*) by following the displayed message.

Error Indications

The camcorder stops operation after the following indications.

Error indication on LCD/viewfinder	Buzzer	REC lamp	Cause and measures
E + Error code	Continuous	Rapidly flashing	The camcorder may be defective. Recording stops even if ●REC is displayed on the viewfinder screen. Turn off the power and check the connected equipment, cables, and media. If they are not defective, turn on the power again. If the error persists, consult Sony service personnel. (If power cannot be turned off by setting the power switch to OFF, remove both the battery pack or the DC IN source.)

Warning Indications

When one of the following indications is generated, follow the message to resolve the problem.

Warning indication on LCD/viewfinder	Buzzer	REC lamp	Cause and measures
Media Near Full	Intermittent	Flashing	Free space on the SxS memory card has become insufficient. Replace it with another at the earliest opportunity.
Media Full	Continuous	Rapidly flashing	No space is left on the SxS memory card. Recording, clip copying and clip division cannot be performed. Replace it with another.
Battery Near End	Intermittent	Flashing	The battery power will be discharged soon. Charge the battery pack at the earliest opportunity.
Battery End	Continuous	Rapidly flashing	The battery pack is discharged. Recording cannot be performed. Stop operation and change the battery pack.
Temperature High	Intermittent	Flashing	The internal temperature has risen above a safe operation limit. Suspend operation, turn off the power, and wait until the temperature falls.
Voltage Low	Intermittent	Flashing	The DC IN voltage has become low (stage 1). Check the power supply.
Insufficient Voltage	Continuous	Rapidly flashing	The DC IN voltage is too low (stage 2). Recording cannot be performed. Connect another power source.
EXT. I/F Signal Error	–	–	An error was detected with the signal in the mounting terminal for an expansion unit. Check the connection to the AXS-R5/R7, etc.

Caution and Operation Confirmation Indications

The following caution and operation confirmation indication may be displayed on the center area of the screen. In this case, please see the following table.

Indication	Cause and measures
Battery Error	An error was detected with the battery pack.
Please Change Battery	Replace the battery pack with a normal one.
Backup Battery End	The remaining power of the backup battery is insufficient.
Please Change	Replace the battery pack.
Unknown Media(A)* Please Change	A partitioned memory card or one that contains recorded clips exceeding the number permitted with this camcorder is loaded. This card cannot be used with this camcorder. Remove it and load a compatible card.
Cannot Use Media(A)* Unsupported File System	A card of a different file system or an unformatted card was inserted. It cannot be used with this camcorder. Replace it or format it with this camcorder.
Media Error Media(A)* Needs to be Restored	An error occurred with the memory card. The card requires restoration. Restore the card.
Media Error Cannot Record to Media(A)*	Recording cannot be done, because the memory card is defective. Because playback may be possible, it is recommended to replace it with another card after copying the clips, as required.
Media Error Cannot Use Media(A)*	Neither recording nor playback can be done, because the memory card is defective. It cannot be operated with this camcorder. Replace it with another card.
Media(A)* Error Recording Halted Playback Halted	Recording or playback stops, because an error occurred with the memory card. If this frequently occurs, change the memory card.
Media Reached Rewriting Limit Change Media (A)*	The memory card comes to the end of its service life. Make a backup copy and replace the card with another one as soon as possible. Recording/playback may not be performed properly if you continue to use the card. <i>For details, refer to the operating instructions of the memory card.</i>
Copy All MPEG2 Proxy NG: Reached Clip Number Limit NG: Same File Already Exists NG: Not Enough Capacity	Copying of All the MPEG2 Proxy is not completed because of the displayed reason. <ul style="list-style-type: none"> • The maximum number of clips is reached. • There is a file with the same name. • There is not enough capacity for copying. Replace the Media.
Input AES/EBU is Invalid Emphasis	Emphasis signal that is not compatible with the AES/EBU input is input. The camcorder is compatible with 50u-15u Emphasis only.
Input AES/EBU is not Pro Use	Signal other than Professional Use is input to the AES/EBU input. The camcorder is compatible with Professional Use only.
Fan Stopped	The fan in the camcorder has stopped. Avoid use under high temperature conditions. Turn the camcorder off and contact a Sony service representative.
AXS Recorder Fan Stopped	The fan in the AXS-R5/R7 that is connected to the camcorder has stopped. Avoid use under high temperature conditions. Remove the AXS-R5/R7 from the camcorder and contact a Sony service representative.
Unsupported FPS Change AXS(A) to AXS S48 Memory	Unsupported AXS Memory was detected. Recording cannot be performed. Change the recording format for the AXS memory card, or change the card to an AXS-A512S48 or AXS-A1TS48.
Abnormal Lens Communication Please Check "Lens IF" Setting	The type of the connected lens does not match with the camcorder's setting. Check the "Lens Interface" setting of the Camera menu.

Indication	Cause and measures
Please Execute APR	The auto adjusting of the image sensor (APR) has not been executed for a certain period. Execute APR by pressing the Menu dial.
Invalid setting value was reset: Media/Clip Naming/Camera Position Please save All File again	The setting value of “Clip Naming” is reset because an incorrect All file is loaded. Save the All file again after setting the desired setting value.

* “Media(B)” for the card in slot B, “AXS Memory” for the AXS memory card.

Items Saved in the File

LEVEL 1	LEVEL 2	LEVEL 3	All File	Scene File	Lens File
User Menu	Customize Data		○		
Camera	White	Auto White Balance			
		White Switch	○		
		Color Temp.	○		
		Color Temp. Balance	○		
		R Gain	○		
		B Gain	○		
		Shockless White	○		
		Filter White Memory	○		
	Offset White	Setting	○		
		Offset <Memory>	○		
	Black	Auto Black Balance			
		Master Black	○	○	
		R Black	○	○	
		B Black	○	○	
	Flare	Setting	○	○	
		Master Flare	○	○	
		R Flare	○	○	
		G Flare	○	○	
		B Flare	○	○	
	Gain	Mode	○	○	
		Gain	○	○	
		Exposure Index	○	○	
		Highlight Latitude			
		Gain/EI Switch <L>	○		
		Gain/EI Switch <M>	○		
		Gain/EI Switch <H>	○		
		Remote Gain L	○	○	
		Remote Gain M	○	○	
		Remote Gain H	○	○	
		Shockless Gain	○	○	
	Shutter	Setting	○	○	
		Mode	○	○	
		Select	○	○	
		Shutter Value	○	○	
		Step Select	○	○	
	Slow Shutter	Setting	○	○	
		Number of Frames	○	○	
	Auto Exposure	Level	○		
		Speed	○		
		Clip High light	○		
Detect Window		○			
Detect Window Indication		○			
S&Q Motion	Setting	○			
	High Frame Rate Mode	○			
	Frame Rate	○			

LEVEL 1	LEVEL 2	LEVEL 3	All File	Scene File	Lens File	
	Color Bars	Setting				
		Type	○			
	Noise Suppression	Setting	○	○		
		Level	○	○		
	Flicker Reduce	Mode	○			
		Frequency	○			
	Image Inversion	Setting	○			
	Lens Interface	Setting	○			
		Zoom Limit	○			
	Paint	Gamma	Setting	○	○	
			Step Gamma	○	○	
Master Gamma			○	○		
R Gamma			○	○		
G Gamma			○	○		
B Gamma			○	○		
Gamma Category			○	○		
Gamma Select			○	○		
Black Gamma		Setting	○	○		
		Range	○	○		
		Master Black Gamma	○	○		
Knee		Setting	○	○		
		Point	○	○		
		Slope	○	○		
		Knee Saturation	○	○		
		Knee Saturation Level	○	○		
White Clip		Setting	○	○		
		Level	○	○		
Detail		Setting	○	○		
		Level	○	○		
		H/V Ratio	○	○		
		Crispening	○	○		
		Level Depend	○	○		
		Level Depend Level	○	○		
		Frequency	○	○		
		Knee Aperture	○	○		
		Knee Aperture Level	○	○		
		Limit	○	○		
		White Limit	○	○		
		Black Limit	○	○		
		V Black Limit	○	○		
V Detail Creation		○	○			
Aperture		Setting	○	○		
	Level	○	○			
Skin Detail	Setting	○	○			
	Area Detection					
	Area Indication					
	Level	○	○			
	Saturation	○	○			
	Width	○	○			

LEVEL 1	LEVEL 2	LEVEL 3	All File	Scene File	Lens File	
	Matrix	Setting	<input type="radio"/>	<input type="radio"/>		
		Preset Matrix	<input type="radio"/>	<input type="radio"/>		
		Preset Select	<input type="radio"/>	<input type="radio"/>		
		User Matrix	<input type="radio"/>	<input type="radio"/>		
		Level	<input type="radio"/>	<input type="radio"/>		
		Phase	<input type="radio"/>	<input type="radio"/>		
		User Matrix R-G	<input type="radio"/>	<input type="radio"/>		
		User Matrix R-B	<input type="radio"/>	<input type="radio"/>		
		User Matrix G-R	<input type="radio"/>	<input type="radio"/>		
		User Matrix G-B	<input type="radio"/>	<input type="radio"/>		
		User Matrix B-R	<input type="radio"/>	<input type="radio"/>		
		User Matrix B-G	<input type="radio"/>	<input type="radio"/>		
		Multi Matrix	Setting	<input type="radio"/>	<input type="radio"/>	
	Area Indication					
	Color Detection					
	Axis					
	Hue		<input type="radio"/>	<input type="radio"/>		
	Saturation		<input type="radio"/>	<input type="radio"/>		
	Audio	Audio Input	Front MIC Select	<input type="radio"/>		
			Rear XLR Auto	<input type="radio"/>		
			Front MIC CH1 Ref	<input type="radio"/>		
			Front MIC CH2 Ref	<input type="radio"/>		
			Rear MIC CH1 Ref	<input type="radio"/>		
			Rear MIC CH2 Ref	<input type="radio"/>		
			MIC CH1 Ref	<input type="radio"/>		
			MIC CH2 Ref	<input type="radio"/>		
			Line Input Ref	<input type="radio"/>		
Limiter Mode			<input type="radio"/>			
1KHz Tone on Color Bars			<input type="radio"/>			
CH-1 Wind Filter			<input type="radio"/>			
CH-2 Wind Filter			<input type="radio"/>			
CH-3 Wind Filter			<input type="radio"/>			
CH-4 Wind Filter			<input type="radio"/>			
MIC CH1 Level			<input type="radio"/>			
MIC CH2 Level			<input type="radio"/>			
Rear1/WRR Level			<input type="radio"/>			
Rear2/WRR Level			<input type="radio"/>			
Audio CH3 Level			<input type="radio"/>			
Audio CH4 Level		<input type="radio"/>				
Audio Level		CH-1 Audio Select	<input type="radio"/>			
		CH-2 Audio Select	<input type="radio"/>			
		CH-1 Audio Level	<input type="radio"/>			
		CH-2 Audio Level	<input type="radio"/>			
		AGC Spec	<input type="radio"/>			
		CH1&2 AGC Mode	<input type="radio"/>			
	CH3&4 AGC Mode	<input type="radio"/>				
	Reference Level	<input type="radio"/>				

LEVEL 1	LEVEL 2	LEVEL 3	All File	Scene File	Lens File
	Audio Output	Output CH	○		
		Monitor CH	○		
		Headphone Out	○		
		Monitor Level	○		
		Reference Out	○		
	WRR Setting	WRR Valid CH Sel	○		
		WRR CH Select	○		
		WRR Delay Comp	○		
		TX	○		
		TX Audio Peak	○		
		TX Input Level	○		
		TX ATT Level	○		
		TX LCF Frequency	○		
	TX System Delay	○			
Video	Output On/Off	SDI(Sub)	○		
		HDMI	○		
	Output Format	SDI(Main)	○		
		SDI(Sub)	○		
		HDMI	○		
		EXT IF			
		TEST			
	Output Setting	4K/2K to HD Conv.	○		
		SD Mode	○		
	Monitor LUT	Category	○		
		LUT Select	○		
		Look Profile Select	○		
		User 3D LUT Select	○		
		SDI(Main)&Internal Rec	○		
		SDI(Sub)&HDMI	○		
	Viewfinder	○			
	Output Display	VF Out	○		
		4K/QFHD SDI/HDMI Out	○		
HD/SD SDI(Sub) Out		○			
HD/SD HDMI Out		○			
Forced Menu Disp		○			
VF	VF Setting	Color	○		
		Contrast	○		
		Brightness	○		
		Color Mode	○		
		Aspect	○		
		Double Speed Drive	○		
	Peaking	Setting	○		
		Peaking Type	○		
		Frequency	○		
		Normal Peaking Level	○		
		Color	○		
		Color Peaking Level	○		

LEVEL 1	LEVEL 2	LEVEL 3	All File	Scene File	Lens File
	Marker	Setting	<input type="radio"/>		
		Color	<input type="radio"/>		
		Center Marker	<input type="radio"/>		
		Safety Zone	<input type="radio"/>		
		Safety Area	<input type="radio"/>		
		Aspect Marker	<input type="radio"/>		
		Aspect Select	<input type="radio"/>		
		Aspect Mask	<input type="radio"/>		
		Aspect Safety Zone	<input type="radio"/>		
		Aspect Safety Area	<input type="radio"/>		
		User Box	<input type="radio"/>		
		User Box Width	<input type="radio"/>		
		User Box Height	<input type="radio"/>		
		User Box H Position	<input type="radio"/>		
	User Box V Position	<input type="radio"/>			
	100% Marker	<input type="radio"/>			
	Zebra	Setting	<input type="radio"/>		
		Zebra Select	<input type="radio"/>		
		Zebra1 Level	<input type="radio"/>		
		Zebra1 Aperture Level	<input type="radio"/>		
		Zebra2 Level	<input type="radio"/>		
	Display On/Off	Setting	<input type="radio"/>		
		Shutter Setting	<input type="radio"/>		
		ND Filter Position	<input type="radio"/>		
		Gain Setting	<input type="radio"/>		
		Rec / Play Status	<input type="radio"/>		
		Color Temp.	<input type="radio"/>		
		Frame Rate / Interval	<input type="radio"/>		
		Battery Remain	<input type="radio"/>		
		Timecode	<input type="radio"/>		
		Audio Level Meter	<input type="radio"/>		
		Media Status	<input type="radio"/>		
		Focus Position	<input type="radio"/>		
		Iris Position	<input type="radio"/>		
		Zoom Position	<input type="radio"/>		
		AE Mode	<input type="radio"/>		
		White Balance Mode	<input type="radio"/>		
		SDI Rec Control	<input type="radio"/>		
		Rec Format	<input type="radio"/>		
		Gamma	<input type="radio"/>		
		Timecode Lock	<input type="radio"/>		
		Wi-Fi Condition	<input type="radio"/>		
		Video Signal Monitor	<input type="radio"/>		
Clip Name		<input type="radio"/>			
Focus Assist Indicator		<input type="radio"/>			
Focus Area Marker	<input type="radio"/>				
Clip Number	<input type="radio"/>				
Notice Message	<input type="radio"/>				
WRR RF Level	<input type="radio"/>				

LEVEL 1	LEVEL 2	LEVEL 3	All File	Scene File	Lens File	
TC/UB	Timecode	Mode	<input type="radio"/>			
		Run	<input type="radio"/>			
		Setting				
		Reset				
		TC Format	<input type="radio"/>			
	TC Display	Display Select	<input type="radio"/>			
Recording	Interval Rec	Setting				
		Interval Time	<input type="radio"/>			
		Number of Frames	<input type="radio"/>			
	Picture Cache Rec	Setting	<input type="radio"/>			
		Cache Rec Time	<input type="radio"/>			
	MPEG2 Proxy	Setting	<input type="radio"/>			
	Rec Control	Setting	<input type="radio"/>			
SDI Rec Control	Setting	<input type="radio"/>				
Media	Update Media	Media(A)				
		Media(B)				
		AXS Memory				
		AXS(A)				
		AXS(B)				
	Format Media	Media(A)				
		Media(B)				
		SD Card				
		AXS Memory				
		AXS(A)				
		AXS(B)				
	Clip Naming	Mode		<input type="radio"/>		
		Camera ID		<input type="radio"/>		
		Reel No.		<input type="radio"/>		
		Camera Position		<input type="radio"/>		
		Title Prefix		<input type="radio"/>		
		Number Set				
	File	All File	Load SD Card			
			Save SD Card			
			File ID	<input type="radio"/>		
		Scene File	Recall Internal Memory			
Store Internal Memory						
Load SD Card						
Save SD Card						
File ID				<input type="radio"/>		
User Menu Item		Load SD Card				
		Save SD Card				
		File ID				
User Gamma		Current Setting				
		Load SD Card				
		Reset				
Monitor LUT		Current Settings				
		Load SD Card				
		Reset				
Monitor 3D LUT		Current Setting				
		Load SD Card				
		Reset				

LEVEL 1	LEVEL 2	LEVEL 3	All File	Scene File	Lens File	
	LENS File	Recall Internal Memory				
		Store Internal Memory				
		Load SD Card				
		Save SD Card				
		File ID				○
		File Source				
		Clear Lens Offset				
		Lens Auto Recall		○		
		Lens Serial Number				
		Lens Name				
		Lens Manufacturer				
		Lens Center H				○
		Lens Center V				○
		Flare R				○
		Flare G				○
		Flare B				○
		White Offset R				○
		White Offset B				○
		Shading Ch Select				
		Shading H SAW				○
Shading H PARA				○		
Shading V SAW				○		
Shading V PARA				○		
Maintenance	APR	APR				
	Test Saw	Setting	○			
	Camera Config	RM Common Memory	○			
		HD/2K Modulation	○			
System	System Setting	Frequency	○			
	Base Setting	Shooting Mode	○			
		Main Operation	○			
		Color Space	○	○		
		Imager Scan Mode	○			
	Rec Format	SxS Format	○			
		AXS Format	○			
	Genlock	Reference				
	Assignable Button	<1>		○		
		<2>		○		
		<3>		○		
		<4>		○		
		<5>		○		
		<6>		○		
		<7>		○		
		<8>		○		
		Lens RET		○		
Menu Dial Assign			○			
S&Q Frame Rate<1>			○			
S&Q Frame Rate<2>			○			
S&Q Frame Rate<3>			○			
S&Q Frame Rate<4>		○				
S&Q Frame Rate<5>		○				
S&Q Frame Rate<6>		○				

LEVEL 1	LEVEL 2	LEVEL 3	All File	Scene File	Lens File
	Switch / Lamp	Rec Lamp	<input type="radio"/>		
		Lock Switch Setting	<input type="radio"/>		
		Menu Dial Scroll	<input type="radio"/>		
		Menu Dial Direction	<input type="radio"/>		
		Set Key on Thumbnail	<input type="radio"/>		
	Fan Control	Setting	<input type="radio"/>		
	Battery Alarm	Near End:Info Battery	<input type="radio"/>		
		End:Info Battery	<input type="radio"/>		
		Near End:Sony Battery	<input type="radio"/>		
		End:Sony Battery	<input type="radio"/>		
		Near End:Other Battery	<input type="radio"/>		
		End:Other Battery	<input type="radio"/>		
	DC Voltage Alarm	Detected Battery			
		DC Low Voltage1	<input type="radio"/>		
		DC Low Voltage2	<input type="radio"/>		
	Language	Select	<input type="radio"/>		
	Clock Set	Time Zone	<input type="radio"/>		
		Date Mode	<input type="radio"/>		
		12H/24H	<input type="radio"/>		
		Date			
		Time			
	Hours Meter	Hours (System)			
		Hours (Reset)			
		Reset			
	AXS Recorder	Chunk	<input type="radio"/>		
		Version			
		Hours Meter (System)			
		Hours Meter (Reset)			
		Reset Hours Meter			
	Basic Authentication	User Name			
		Password			
	Wi-Fi	Wi-Fi	<input type="radio"/>		
		SSID & Password			
		Wi-Fi Direct Connection			
		Client			
		IP Address			
		Subnet Mask			
		MAC Address			
		Regenerate Password			
	All Reset	Reset			
	Option	DNxHD/ProRes			
		4K/QFHD XAVC			
		Install Option			
ID					
Version	Number				
	Version Up				

Licenses

MPEG-4 Visual Patent Portfolio License

THIS PRODUCT IS LICENSED UNDER THE MPEG-4 VISUAL PATENT PORTFOLIO LICENSE FOR THE PERSONAL AND NON-COMMERCIAL USE OF A CONSUMER FOR

- (i) ENCODING VIDEO IN COMPLIANCE WITH THE MPEG-4 VISUAL STANDARD (“MPEG-4 VIDEO”) AND/OR
- (ii) DECODING MPEG-4 VIDEO THAT WAS ENCODED BY A CONSUMER ENGAGED IN A PERSONAL AND NON-COMMERCIAL ACTIVITY AND/OR WAS OBTAINED FROM A VIDEO PROVIDER LICENSED BY MPEG LA TO PROVIDE MPEG-4 VIDEO.

NO LICENSE IS GRANTED OR SHALL BE IMPLIED FOR ANY OTHER USE. ADDITIONAL INFORMATION INCLUDING THAT RELATING TO PROMOTIONAL, INTERNAL AND COMMERCIAL USES AND LICENSING MAY BE OBTAINED FROM MPEG LA, LLC. SEE [HTTP://WWW.MPEGLA.COM](http://WWW.MPEGLA.COM)

MPEG LA is offering licenses for

- (i) manufacturing/sales of any storage media storing MPEG-4 Visual video information
- (ii) distribution/broadcasting of MPEG-4 Visual video information in any manner (such as online video distribution service, internet broadcasting, TV broadcasting). Other usage of this product may be required to obtain license from MPEGLA. Please contact MPEG LA for any further information. MPEG LA, L.L.C., 250 STEELE STREET, SUITE 300, DENVER, COLORADO 80206, <http://www.mpegla.com>

MPEG-4 AVC Patent Portfolio License

THIS PRODUCT IS LICENSED UNDER THE AVC PATENT PORTFOLIO LICENSE FOR THE PERSONAL USE OF A CONSUMER OR OTHER USES IN WHICH IT DOES NOT RECEIVE REMUNERATION TO

- (i) ENCODE VIDEO IN COMPLIANCE WITH THE AVC STANDARD (“AVC VIDEO”) AND/OR
- (ii) DECODE AVC VIDEO THAT WAS ENCODED BY A CONSUMER ENGAGED IN A PERSONAL ACTIVITY AND/OR WAS OBTAINED FROM A VIDEO PROVIDER LICENSED TO PROVIDE AVC VIDEO.

NO LICENSE IS GRANTED OR SHALL BE IMPLIED FOR ANY OTHER USE. ADDITIONAL INFORMATION MAY BE OBTAINED FROM MPEG LA, L.L.C. SEE [HTTP://WWW.MPEGLA.COM](http://WWW.MPEGLA.COM)

On accessing software to which the GPL/LGPL applies

This product uses software to which the GPL/LGPL applies. This informs you that you have a right to have access to, modify, and redistribute source code for these software programs under the conditions of the GPL/LGPL.

The source code is provided on the internet. Use the following URL and follow the download instructions.

<http://www.sony.net/Products/Linux/common/search.html>

We would prefer that you do not contact us about the contents of the source code.

For the content of these licenses, see “License1.pdf” in the “License” folder of the supplied CD-ROM.

Adobe Reader must be installed on your computer to view PDF files.

If Adobe Reader is not installed on your computer, you can download it by accessing the following URL.

<http://get.adobe.com/reader/>

Open software licenses

On the basis of license contracts between Sony and the software copyright holders, this product uses open software.

To meet the requirements of the software copyright holders, Sony is obligated to inform you of the content of these licenses.

For the content of these licenses, see "License1.pdf" in the "License" folder of the supplied CD-ROM.

Specifications

General

Power Requirements

DC 12 V (11 V to 17.0 V)

Power Consumption

PMW-F55

Approx. 25 W (body only, while recording XAVC 4K 59.94P, 4K SDI: On)

PMW-F5

Approx. 24 W (body only, while recording XAVC HD 59.94P, HD-SDI: On)

Notes

- When connecting a device to the DC OUT connector, use one with current consumption of 1.8 A or less.
- When using the camcorder with peripheral devices attached, make sure that the total power consumption of the attached devices is 60 W or less.

Operating Temperature

0°C to 40°C (32°F to 104°F)

Storage Temperature

-20°C to +60°C (-4°F to +140°F)

Mass

Approx. 2.2 kg (4 lb 14 oz) (without lens, handle, audio box, and accessories)

Dimensions

See "Dimensions" on page 144.

Battery Operating Time

PMW-F55

Approx. 150 min with BP-FL75

PMW-F5

Approx. 160 min with BP-FL75

Recording Format (Video)**XAVC**

AVC/H.264 High 4:2:2 Intra Profile

4K/QFHD: VBR, 600 Mbps max.

Class480/300 compliant

2K: VBR, 220 Mbps max.

HD: SMPTE RP2027 Class100

compliant

MPEG HD422

MPEG-2 Long GOP

HD 422 mode: CBR, 50 Mbps,

MPEG-2 422P@HL

SR SStP

MPEG-4 Simple Studio Profile

HD: SR-SQ 444, SR-SQ 422, SR-Lite 422

Apple ProRes

HD: ProRes 4444, ProRes 422 HQ,

ProRes 422

Avid DNxHD®

HD: DNxHD 220x (10-bit 4:2:2),

DNxHD 145 (8-bit 4:2:2)

Recording Format (Audio)

LPCM 8CH (2CH recording/playback),

24-bit, 48-kHz

Recording Frame Rate**PMW-F55**

XAVC 4K Class480: 4096 × 2160,
23.98P/24P/25P/29.97P

XAVC 4K Class300: 4096 × 2160,
23.98P/24P/25P/29.97P/50P/59.94P

XAVC QFHD Class480: 3840 × 2160,
23.98P/25P/29.97P

XAVC QFHD Class300: 3840 × 2160,
23.98P/25P/29.97P/50P/59.94P

XAVC 2K: 2048 × 1080, 23.98P/24P/
25P/29.97P/50P/59.94P

XAVC HD: 1920 × 1080, 23.98P/25P/
29.97P/50P/59.94P

MPEG2 HD: 1920 × 1080, 50i/59.94i/
23.98P/25P/29.97P

MPEG2 HD: 1280 × 720, 50P/59.94P

SR-SStP: 1920 × 1080, 23.98P/24P/25P/
29.97P/59.94i

Apple ProRes: 1920 × 1080, 23.98P/
24P/25P/29.97P/50i/59.94i (When the
CBK-55PD is installed.)

Avid DNxHD®: 1920 × 1080, 23.98P/
25P/29.97P/50i/59.94i (When the
CBK-55PD is installed.)

PMW-F5

XAVC 4K Class480: 4096 × 2160,
23.98P/24P/25P/29.97P (When the
CBKZ-55FX is installed.)

XAVC 4K Class300: 4096 × 2160,
23.98P/24P/25P/29.97P/50P/59.94P
(When the CBKZ-55FX is installed.)

XAVC QFHD Class480: 3840 × 2160,
23.98P/25P/29.97P (When the CBKZ-
55FX is installed.)

XAVC QFHD Class300: 3840 × 2160,
23.98P/25P/29.97P/50P/59.94P
(When the CBKZ-55FX is installed.)

XAVC 2K: 2048 × 1080, 23.98P/24P/
25P/29.97P/50P/59.94P

XAVC HD: 1920 × 1080, 23.98P/25P/
29.97P/50P/59.94P

MPEG2 HD: 1920 × 1080, 50i/59.94i/
23.98P/25P/29.97P

SR-SStP: 1920 × 1080, 23.98P/24P/25P/
29.97P/59.94i

Apple ProRes: 1920 × 1080, 23.98P/
24P/25P/29.97P/50i/59.94i (When the
CBK-55PD is installed.)

Avid DNxHD®: 1920 × 1080, 23.98P/
25P/29.97P/50i/59.94i (When the
CBK-55PD is installed.)

Recording/Playback Time

When SBS-32G1A/B is used

MPEG2 HD: Approx. 60 min

When SBS-64G1A/B is used

MPEG2 HD: Approx. 120 min

When SBP-32 is used

XAVC HD 23.98P: Approx. 36 min

XAVC HD 25P: Approx. 30 min

XAVC HD 29.97P: Approx. 30 min

SR-Lite 422 23.98P: Approx. 18 min

SR-Lite 422 25P: Approx. 17 min

SR-Lite 422 29.97P: Approx. 14 min

ProRes 422 23.98P: Approx. 26 min

ProRes 422 25P: Approx. 25 min

ProRes 422 29.97P: Approx. 20 min
 DNxHD 145 23.98P: Approx. 28 min
 DNxHD 145 25P: Approx. 27 min
 DNxHD 145 29.97P: Approx. 23 min

When SBP-64A is used

XAVC HD 23.98P: Approx. 72 min
 XAVC HD 25P: Approx. 60 min
 XAVC HD 29.97P: Approx. 60 min
 SR-Lite 422 23.98P: Approx. 38 min
 SR-Lite 422 25P: Approx. 36 min
 SR-Lite 422 29.97P: Approx. 30 min
 ProRes 422 HQ 23.98P: Approx. 35 min
 ProRes 422 HQ 25P: Approx. 34 min
 ProRes 422 HQ 29.97P: Approx. 28 min

DNxHD 220x 23.98P: Approx. 38 min
 DNxHD 220x 25P: Approx. 36 min
 DNxHD 220x 29.97P: Approx. 31 min

When SBP-64B/C/D is used

XAVC 4K Class300 23.98P: Approx. 26 min
 XAVC 4K Class300 25P: Approx. 24 min
 XAVC 4K Class300 29.97P: Approx. 20 min
 XAVC 4K Class480 23.98P: Approx. 17 min
 XAVC 4K Class480 25P: Approx. 16 min
 XAVC 4K Class480 29.97P: Approx. 13 min
 SR-SQ 422/444 23.98P: Approx. 18 min
 SR-SQ 422/444 25P: Approx. 17 min
 SR-SQ 422/444 29.97P: Approx. 14 min

ProRes 4444 23.98P: Approx. 20 min
 ProRes 4444 25P: Approx. 20 min
 ProRes 4444 29.97P: Approx. 18 min

When SBP-128B/C/D is used

XAVC 4K Class300 23.98P: Approx. 52 min
 XAVC 4K Class300 25P: Approx. 50 min
 XAVC 4K Class300 29.97P: Approx. 40 min
 XAVC 4K Class480 23.98P: Approx.

34 min
 XAVC 4K Class480 25P: Approx. 33 min
 XAVC 4K Class480 29.97P: Approx. 27 min
 SR-SQ 422/444 23.98P: Approx. 40 min
 SR-SQ 422/444 25P: Approx. 38 min
 SR-SQ 422/444 29.97P: Approx. 30 min
 ProRes 4444 23.98P: Approx. 45 min
 ProRes 4444 25P: Approx. 45 min
 ProRes 4444 29.97P: Approx. 38 min

Note

These approximate recording/playback times are continuous recording times for 1 clip. Depending on the recording clip numbers the time may be shorter than the description. Also, depending on the operating conditions, available memory, etc., a few errors may be caused.

Camera Section

Imaging Device

PMW-F55

Super 35mm equivalent Single-chip CMOS with the frame image scan function

PMW-F5

Super 35mm equivalent Single-chip CMOS

Imaging Device (Pixel Count)

11.6 M (total), 8.9 M (effective)

Built-in Filters

Clear, 0.9 (1/8ND), 1.8 (1/64ND)

Sensitivity (2000 lx, 89.9% reflectance)

PMW-F55

Video Gamma: T12@24p (3200K Light source)

PMW-F5

Video Gamma: T14@24p (3200K Light source)

ISO Sensitivity**PMW-F55**

S-Log2 Gamma: ISO 1250 (D55 Light source)

PMW-F5

S-Log2 Gamma: ISO 2000 (D55 Light source)

Lens Mount

PL mount (with supplied lens mount adaptor)

Flange Focal Length

FZ mount (without supplied lens mount adaptor)

Latitude

14-stop

S/N Ratio

57 dB (Video Gamma, Noise Suppression: OFF)

Shutter Speed

1/24s to 1/6,000s (23.98P)

Shutter Angle

4.2° to 359.7° (electronic shutter)

Slow Shutter (SLS)

2, 3, 4, 5, 6, 7, and 8-frame accumulation

Slow & Quick Motion Function

XAVC 4K/QFHD: 1P to 60P

XAVC 2K/HD: 1P to 180P

White Balance

Preset (3200K, 4300K, 5500K),

Memory

Gain

-3, 0, 3, 6, 9, 12, 18 dB

Gamma Curve

STD1, STD2, STD3, STD4, STD5,
STD6

HG1, HG2, HG3, HG4, HG7, and HG8

S-Log2, S-Log3

Input/Output

Audio Input

CH-1/CH-2: XLR-type 3-pin (female)
(×2), LINE / AES/EBU / MIC /
MIC+48V selectable

Video Output

TEST OUT: BNC (×1)

DC Input

XLR-type 4-pin (male), 11 V to 17 V
DC

DC Output

4-pin (×2), 11 V to 17 V DC (MAX
1.8 A) w/ battery adaptor

You can output the REC Tally signal and
input the REC Trigger signal through the
DC OUT connector.

Note

When connecting a device to the DC OUT
connector, use one with current consumption
of 1.8 A or less.

SDI Output

BNC (×4)

3G-SDI: SMPTE ST424/425 Level-B

HD SDI: SMPTE ST292 compliant

SD SDI: SMPTE-259M compliant

PMW-F55

HD mode:

SDI 1/2: Line Output

SDI 3/4: Monitor Output

4K mode:

SDI 1/2/3/4: Line Output

Display On/Off switchable

PMW-F5

SDI 1/2: Line Output

SDI 3/4: Monitor Output

Timecode Input/Output

TC IN/OUT: BNC (×1) switchable

Genlock Input

BNC (×1)

Remote

8-pin (×1)

HDMI Output

A Type (×1)

USB

USB device, Mini-B (×1)

USB host, type-A (×1)

USB Wireless LAN Module Connector

USB host, type-A (×1)

Headphone Output

Stereo mini jack (×1)

Speaker Output

Monaural

Media

Type

ExpressCard/34 slot (×2)

SD card slot (×1)

Package Configuration

Lens mount adaptor (1)

Lens mount cover (1)

Battery adaptor (1)

Audio input connector (1)

Screws for the audio input connector (4)

Tape measure hook (1)

USB wireless LAN module IFU-WLM3 (1)

USB extension cable (1)

Before Using this Unit (1)

Operating Instructions (CD-ROM) (1)

Optional Accessories

PL mount wide angle zoom lens

SCL-P11X15

PL lens

SCL-PK6/F, PK6/M (set of 6 lenses, 20 mm/
25 mm/35 mm/50 mm/85 mm/135 mm)

SCL-PK3/F, PK3/M (set of 3 lenses, 20 mm/
25 mm/135 mm)

FZ mount power zoom lens

SCL-Z18X140

LCD color viewfinder

DVF-L350, DVF-L700

OLED color viewfinder

DVF-EL100

Microphone

ECM-680S (EC-0.5X5F3M), ECM-678,
ECM-674

Shoulder adaptor

VCT-FSA5

Battery pack

BP-FL75, BP-FLX75

AC adaptor

AC-DN2B, AC-DN10

SxS memory card

SxS PRO+ Series

SxS PRO Series

SxS-1 Series

XQD memory card

QD-S64E, QD-S32E, QD-N64, QD-M128A,

QD-M64A, QD-M32A, QD-G128A/E,

QD-G64A/E, QD-G32A/E

(XQD ExpressCard adapter QDA-EX1 is
required.)

SD card

SDHC memory card, SD memory card

Portable memory recorder

AXS-R5, AXS-R7

AXS memory card

AXS-512S24, AXS-A256S24, AXS-

A512S48, AXS-A512S24, AXS-A1TS48,

AXS-A1TS24

SxS memory card USB reader/writer

SBAC-US30/UT100

AXS memory card reader

AXS-CR1

Remote control unit

RM-B170, RM-B750, CBK-DCB01

B4-FZ mount adapter

LA-FZB1, LA-FZB2

Optical 2K Filter

CBK-55F2K

Camera system adaptor

CA4000

EFP style buildup kit

CBK-55BK

Sensor upgrade kit

CBK-55UK

Additional codec board

CBK-55PD

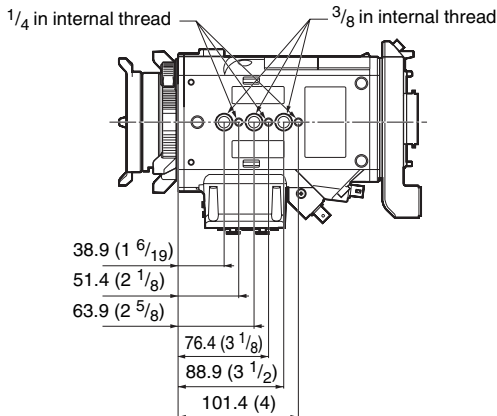
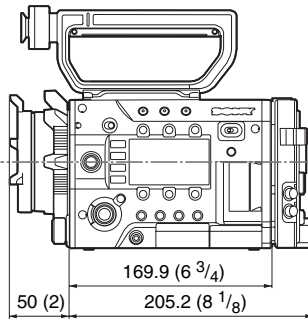
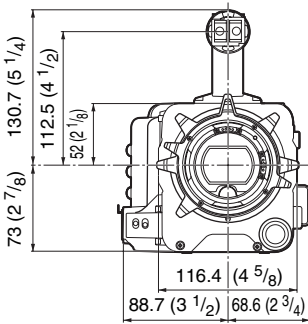
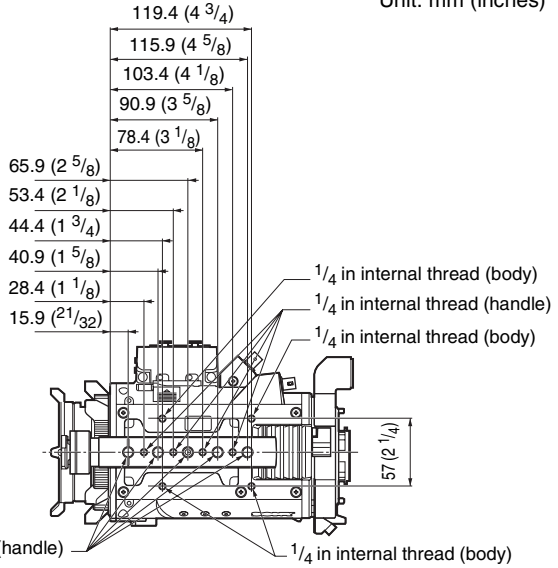
4K upgrade license (for PMW-F5)

CBKZ-55FX

Design and specifications are subject to change without notice.

Dimensions

Unit: mm (inches)



Notes

- Always make a test recording, and verify that it was recorded successfully.
SONY WILL NOT BE LIABLE FOR DAMAGES OF ANY KIND INCLUDING, BUT NOT LIMITED TO, COMPENSATION OR REIMBURSEMENT ON ACCOUNT OF FAILURE OF THIS UNIT OR ITS RECORDING MEDIA, EXTERNAL STORAGE SYSTEMS OR ANY OTHER MEDIA OR STORAGE SYSTEMS TO RECORD CONTENT OF ANY TYPE.
- Always verify that the unit is operating properly before use. SONY WILL NOT BE LIABLE FOR DAMAGES OF ANY KIND INCLUDING, BUT NOT LIMITED TO, COMPENSATION OR REIMBURSEMENT ON ACCOUNT OF THE LOSS OF PRESENT OR PROSPECTIVE PROFITS DUE TO FAILURE OF THIS UNIT, EITHER DURING THE WARRANTY PERIOD OR AFTER EXPIRATION OF THE WARRANTY, OR FOR ANY OTHER REASON WHATSOEVER.
- SONY WILL NOT BE LIABLE FOR CLAIMS OF ANY KIND MADE BY USERS OF THIS UNIT OR MADE BY THIRD PARTIES.
- SONY WILL NOT BE LIABLE FOR THE LOSS, REPAIR, OR REPRODUCTION OF ANY DATA RECORDED ON THE INTERNAL STORAGE SYSTEM, RECORDING MEDIA, EXTERNAL STORAGE SYSTEMS OR ANY OTHER MEDIA OR STORAGE SYSTEMS.
- SONY WILL NOT BE LIABLE FOR THE TERMINATION OR DISCONTINUATION OF ANY SERVICES RELATED TO THIS UNIT THAT MAY RESULT DUE TO CIRCUMSTANCES OF ANY KIND.

Index

A

AC Adaptor 23
AC Power 24
ACCESS lamp 30, 32
All File 100
All Reset 110
Aperture 81
APR 103
Assignable Button 44, 107
AU/TC screen 56
Audio 41, 44
Audio Input 84
Audio Level 44, 86
Audio menu 84
Audio Output 86
Auto Exposure 76
AXS memory card 33
AXS Recorder 109
AXS-R5 33
AXS-R7 33

B

Base Setting 104
Basic Authentication 109
Battery Alarm 108
Battery Pack 23
Black 71
Black Gamma 79
Built-in speaker 41

C

Camera Config 103
Camera menu 70
CAMERA screen 54
Caution and Operation Confirmation
 Indications 127
Clip 42, 50, 112
Clip name 42
Clip Naming 99
Clock 24
Clock Set 109
CMOS Image Sensors 116
Color Bars 78
Color space 28

Color temperature 43
Cueing up 41

D

DC IN Power 24
DC Voltage Alarm 108
Detail 81
Display Clip Properties 51
Display On/Off 93

E

Electronic Shutter 43
Error Indications 126
ExpressCard slot 112
External Monitor 111
External Synchronization 113

F

False Color Display 47
Fan Control 108
File menu 100
FILE screen 56
Flange focal length 26
Flare 72
Flicker Reduce 78
Focus Magnifier 47
Format 30, 32, 34
Format Media 99

G

Gain 43, 72
Gamma 79
Genlock 106, 113
GENLOCK IN connector 114

H

HDMI OUT connector 111, 122
Headphones connector 41
Hours Meter 109

I

Image Inversion 78
Interval Rec 95
Interval Rec Function 45

K

Knee 80

L

Language 108
 Lens 25
 Lens File 102
 Lens Interface 78

M

Main recorded signal 27
 Maintenance menu 103
 Marker 92
 Matrix 82
 Media category 64
 Media Full 31
 Media menu 98
 Media Near Full 31
 MENU button 67
 MENU dial 53, 67
 MLUT category 63
 Monitor 3D LUT 101
 Monitor LUT 89, 100
 Monitoring category 62
 MPEG2 Proxy 51, 97
 Multi Matrix 83

N

ND Filter 11
 Nonlinear editing 113

O

Offset White 71
 Option 110
 OPTION button 50
 Others category 65
 Output Display 90
 Output Format 88
 Output Setting 88
 Output signal 118

P

Paint menu 79
 Peaking 91
 Picture Cache Function 46
 Picture Cache Rec 95
 Project category 60

Q

Quick menu 58

Quick menu setting items 60

R

REC button 41
 Rec Control 98
 Rec Format 105
 Rec Review 47
 Recording menu 95

S

S&Q Motion 76
 SBAC-US30/UT100 112
 Scene File 100
 SD memory card 32
 SDHC memory card 32
 SDI OUT connector 111, 118
 SDI Rec Control 98
 SEL/SET dial 53, 67
 Sensitivity 43
 Setting value file 32
 Setup menu 67, 70
 Shooting mode 27
 Shutter 75
 Simultaneously recording 46, 47
 Skin Detail 82
 SLOT SELECT button 30
 Slow & Quick Motion 45
 Slow Shutter 76
 Status screen 12, 19
 Sub display 17, 53
 Sub display setting items 54
 Switch/Lamp 108
 SxS Device Driver Software 112
 SxS Memory Cards 29
 System frequency 27
 System menu 104
 System Setting 104

T

TC connector 114
 TC Display 94
 TC/UB menu 94
 TEST OUT connector 111, 125
 Test Saw 103
 Thumbnail menu 50
 Thumbnail screen 49
 Time and date 24
 Time Data 44

Time Zone 24
Timecode 44, 94, 113

U

Update Media 98
USB cable 112
USB wireless LAN module 36
User Gamma 100
User Menu 68
User Menu Item 100
UTC 24

V

Version 110
VF menu 91
VF Setting 91
Video format 118
Video menu 88
Viewfinder 20, 26
Viewfinder category 64
Viewfinder double speed drive function 47

W

Warning Indications 126
White 70
White balance 43
White Clip 80
Wi-Fi 110
Wi-Fi remote commander 37
WRR Setting 87

Z

Zebra 92

