

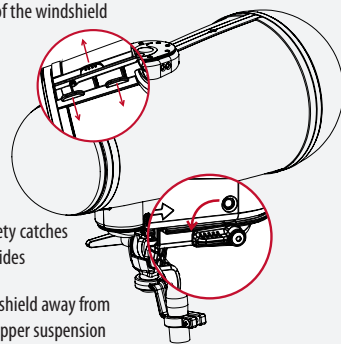
**1 Download Instructions**



More information and full instructions can be downloaded here  
[www.rycote.zendesk.com/hc/en-us/articles/207948165-Cyclone-User-Guide](http://www.rycote.zendesk.com/hc/en-us/articles/207948165-Cyclone-User-Guide)

**2 Removing windshield from the suspension**

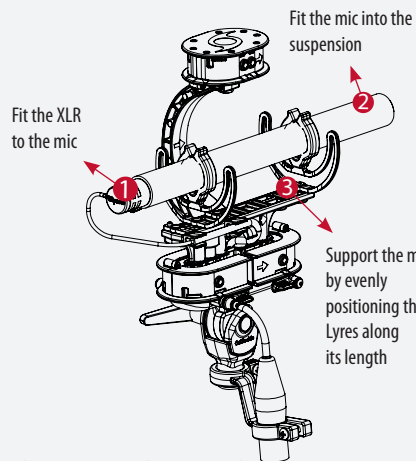
**2** Use release tabs to separate the two sections of the windshield



**1** Undo safety catches on both sides

**3** Pull windshield away from lower & upper suspension

**3 Fitting microphone**



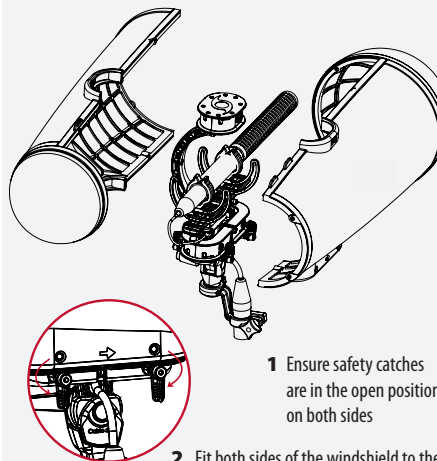
Fit the mic into the suspension

Fit the XLR to the mic

Support the mic by evenly positioning the Lyres along its length

The Lyres can be moved or replaced using the hex key supplied.

**4 Fitting windshield to suspension**

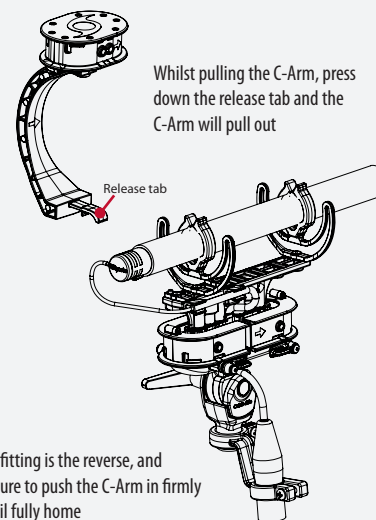


**1** Ensure safety catches are in the open position on both sides

**2** Fit both sides of the windshield to the upper & lower basket suspension pods

**3** Rotate the four safety catches into closed position

**5 Removing and refitting the C-Arm**



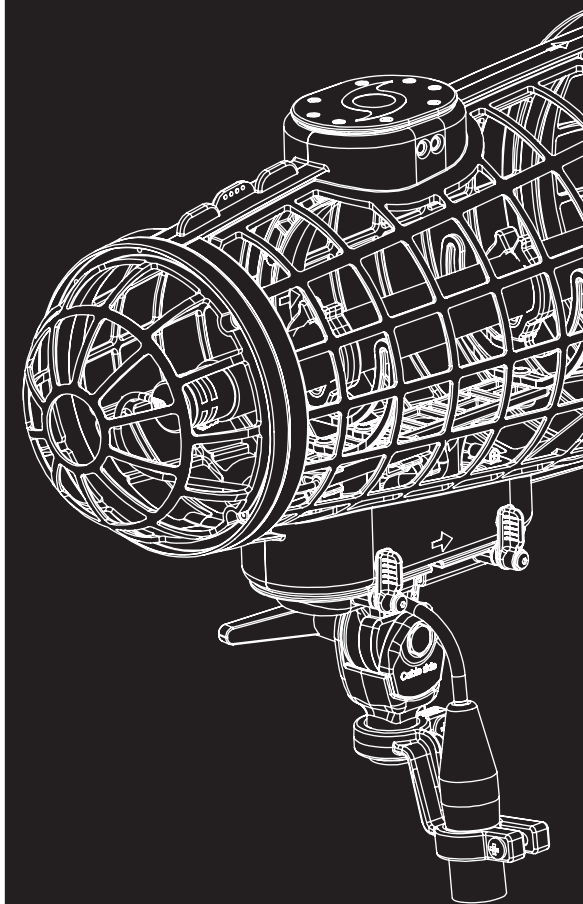
Whilst pulling the C-Arm, press down the release tab and the C-Arm will pull out

Re-fitting is the reverse, and ensure to push the C-Arm in firmly until fully home

If the suspension is needed in a restricted space, like a ceiling shot, the suspension can be used without the C-Arm fitted.

# Cyclone

Advanced Windshield System



# Quick Start Guide

## Cyclone Medium & Large

Thank you for choosing the Cyclone Windshield! The following Quick Start Guide provides you with the basics to help get you started.

Full details about this product are available on our website, where you can also download more detailed instructions.

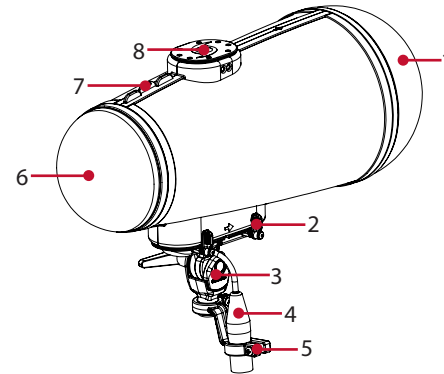
### Overview

Quick. Clear. Consistent. Cyclone is the premium microphone windshield system with ground-breaking advancements for all-round performance excellence. It has been designed with ease of set-up and use as a priority, to meet the needs of discerning location sound professionals.

### Key Features

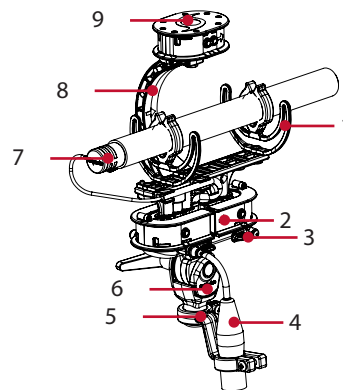
- Superb acoustic transparency - the open shell structure with no parallel surfaces greatly reduces room-tone effects & provides a clean frequency response;
- Massive wind noise reduction - asymmetric basket covered with 3D-TEX® material provides enormous benefits in terms of surface turbulence & acoustic impedance. An optional Cyclone Windjammer can be used for the most extreme weather conditions;
- Advanced shock isolation - with industry-leading Rycote Lyre® microphone suspension and exclusive Floating Basket Suspension (Pat. Pending) with built-in Lyre technology, for additional vibration isolation between basket and pole;
- Quick & Easy - unique Z-Locking System with magnetic locking for instant windshield removal/attachment;
- Lightweight, durable construction & materials - to withstand extreme field use.

### Basket View



1. Windshield, Right
2. Safety Catch
3. Boom Adaptor
4. Neutrik XLR 3-Pin male
5. XLR Holder
6. Windshield, Left
7. Release Tabs
8. Basket Suspension (top)

### Suspension View



1. Lyre
2. Basket Suspension (lower)
3. Safety Catch
4. Neutrik XLR 3-Pin male
5. XLR Holder
6. Boom Adaptor
7. 3-Pin female XLR
8. C-Arm
9. Basket Suspension (upper)

### Specifications

#### Cyclone Windshield Kit, Large 089101

**Microphone type**  
(Shotgun or rifle microphones)

Mic Lengths: 250 mm – 280 mm  
Mic Diameters: 19 mm – 25 mm  
Max. Weight of Mic: 180 grams  
Mic Connector: XLR 3-pin Female  
Output Connector: XLR 3-pin Male

Overall Length: 470 mm (18.5 inch)  
Body Length: 330 mm (13 inch)  
Max. Diameter: 157 mm (6.2 inch)  
Height: 220 mm (8.7 inch)  
Weight: 640 g (22.6 oz)

#### Compatibility

Røde NTG-2, NTG 4+  
Sanken CS-3e  
Schoeps Super-CMIT  
Sennheiser MKH 60

#### Cyclone Windshield Kit, Medium 089102

**Microphone type**  
(Shotgun, short shotgun)

Mic Lengths: 174 mm - 255 mm  
Mic Diameters: 19 mm - 25 mm  
Max. Weight of Mic: 180 grams  
Mic Connector: XLR 3-pin Female  
Output Connector: XLR 3-pin Male

Overall Length: 385 mm (15.2 inch)  
Body Length: 260 mm (10.2 inch)  
Max. Diameter: 157 mm (6.2 inch)  
Height: 220 mm (8.7 inch)  
Weight: 590 g (20.8 oz)

#### Compatibility

DPA 4017B, 4018A  
Neumann KMR 81i, KMR 81D  
Røde NTG-3, NTG-4  
Sanken CS-1, CS-2  
Schoeps CMC w/Cut 1, CMIT 5U  
CMC w/Cut 60  
Sennheiser MKH 416,  
MKH 8060 w/MZF

### What's in the box?

- Cyclone Windshield System
- Cyclone Cable (fitted)
- Pair of Universal Lyre 62-shore, for lightweight microphones
- Hex key driver, for adjustment of Lyres
- Quick Start Guide
- Rycote Sticker

Your Cyclone comes pre-fitted with a pair of Universal Lyres of 72 shore hardness. An additional pair of softer Lyres (62 shore rating), for lighter microphones are also included, which you can fit instead of the pre-fitted ones, should you wish.

### Optional Accessories

- Cyclone Windjammer, Large (029101)
- Cyclone Windjammer, Medium (029102)
- Extension handle (037301)
- Cyclone w/Tac!T cable, XLR-3f (017034)

### Care of your Cyclone

The Cyclone features our 3D-TEX® material, which was developed for both outstanding performance and ease of maintenance. Dust it off after mild use or rinse and air dry after heavy use to maintain outstanding, transparent and consistent performance for years of faithful use.

All weights & dimensions are approximate

**Rycote® | On Location**

Our customers are involved with some amazing projects and use Rycote products out in the field every day.

To read more  
[rycote.com/on-location](http://rycote.com/on-location)